

NOTES:

1. MATERIALS:

- CENTER CONTACT - PHOSPHOR BRONZE, GOLD PLATING
- BODY - BRASS, NICKEL PLATING
- INSULATORS (2) - PBT, WHITE
- PIN(2) - BRASS, NICKEL PLATING
- LOCK WASHER - BRASS, NICKEL PLATING

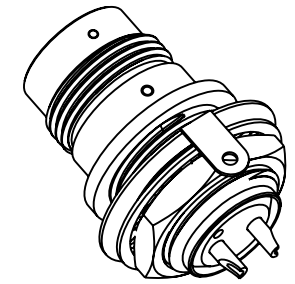
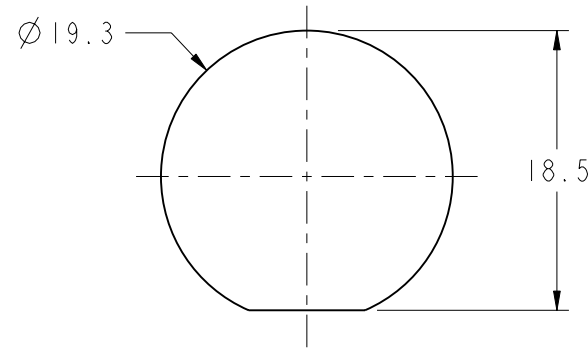
2. PACKAGING:

- A. QUANTITY: SINGLE PACK
- B. MARKING: BAG TO BE MARKED  
"AMPHENOL, TWX6351BI-NPB3G-95, AND DATE CODE"

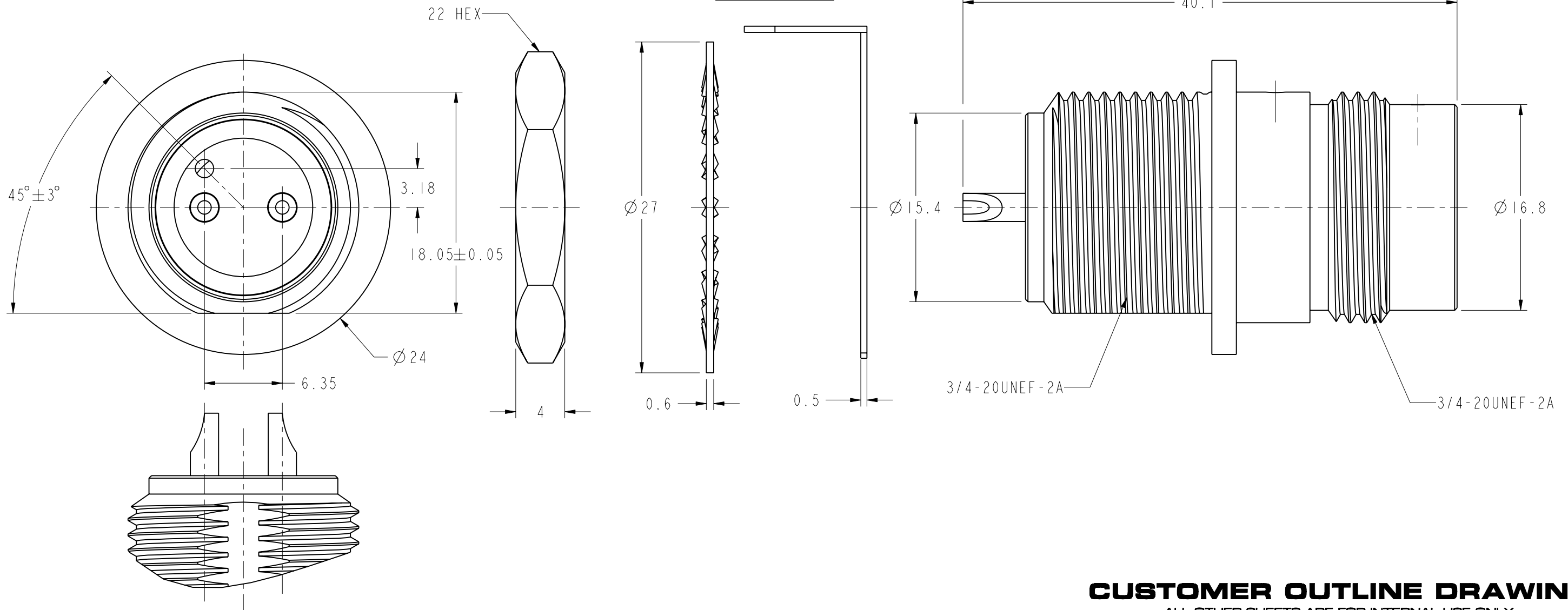
THIRD ANGLE PROJ.

REVISIONS

REV	DESCRIPTION	DATE	ECO	APPR
A	RELEASE TO MFG.	05-05-05'	--	JEFF
B	SEE SHEET 1	25-May-00	43204	CPM
C	SYNCHRONIZE IN ARFA \RD-DMI5071501S2	14-Jul-15	50652	J.C



RECOMMENDED MOUNTING HOLE



**CUSTOMER OUTLINE DRAWING**

ALL OTHER SHEETS ARE FOR INTERNAL USE ONLY

UNLESS OTHERWISE SPECIFIED, DIMENSIONS ARE IN METRIC AND TOLERANCES ARE:				
< 0.5mm	0.5 - 6mm	6 - 30mm	30 - 120mm	ANGLES
± 0.05mm	± 0.1mm	± 0.2mm	± 0.3mm	± 1°

NOTICE - These drawings, specifications, or other data (1) are, and remain the property of Amphenol corp. (2) must be returned upon request; and (3) are confidential and not to be disclosed to any person other than those to whom they are given by Amphenol Corp. the furnishing of these drawings, specifications, or other data by Amphenol Corp., or to any other person for any purpose is not to be regarded by implication or otherwise in any manner licensing, granting rights to permitting such holder or any other person to manufacture, use or sell any product, process or design, patented or otherwise, that may in any way be related to or disclosed by said drawings, specifications, or other data.

MATERIAL	-
REFERENCE AND CONFIGURATION LEVEL:	In Work
FINISH	

DRAWN	S. DUAN	DATE	14-Jul-15
ENGINEER	A. LI	DATE	05-May-05
APPROVED	S. HSIEH	DATE	21-Jul-15
CAD FILE			

TITLE		TWINAXIAL BULKHEAD RECEPT. JACK	
SCALE:	1.0:1.0	SHEET	2 OF 2
DWG SIZE	B	REV	C

Amphenol RF	
www.amphenolrf.com	
DRAWING NO. TWX6351BI-NPB3G-95	
ITEM NO. 206351AAA01MA9F	
PART NO. 82-5590-RFX	