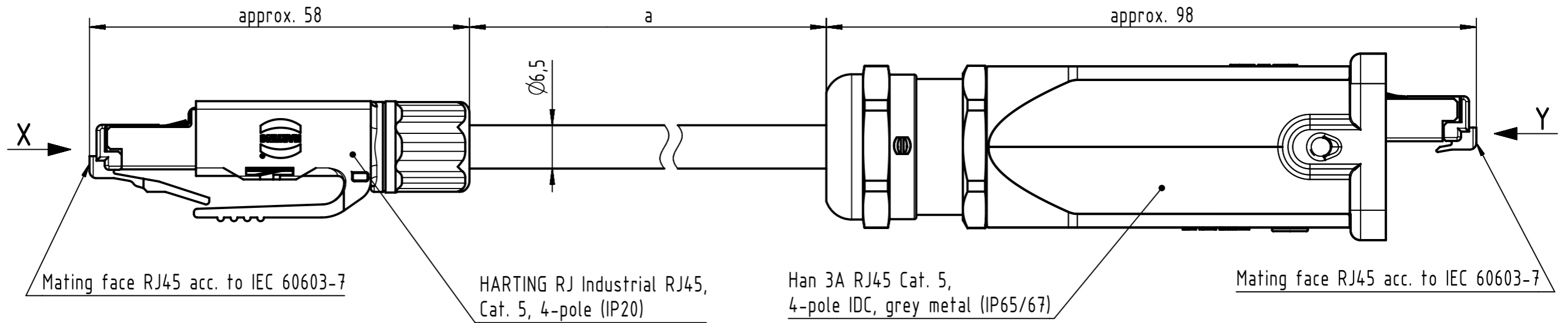


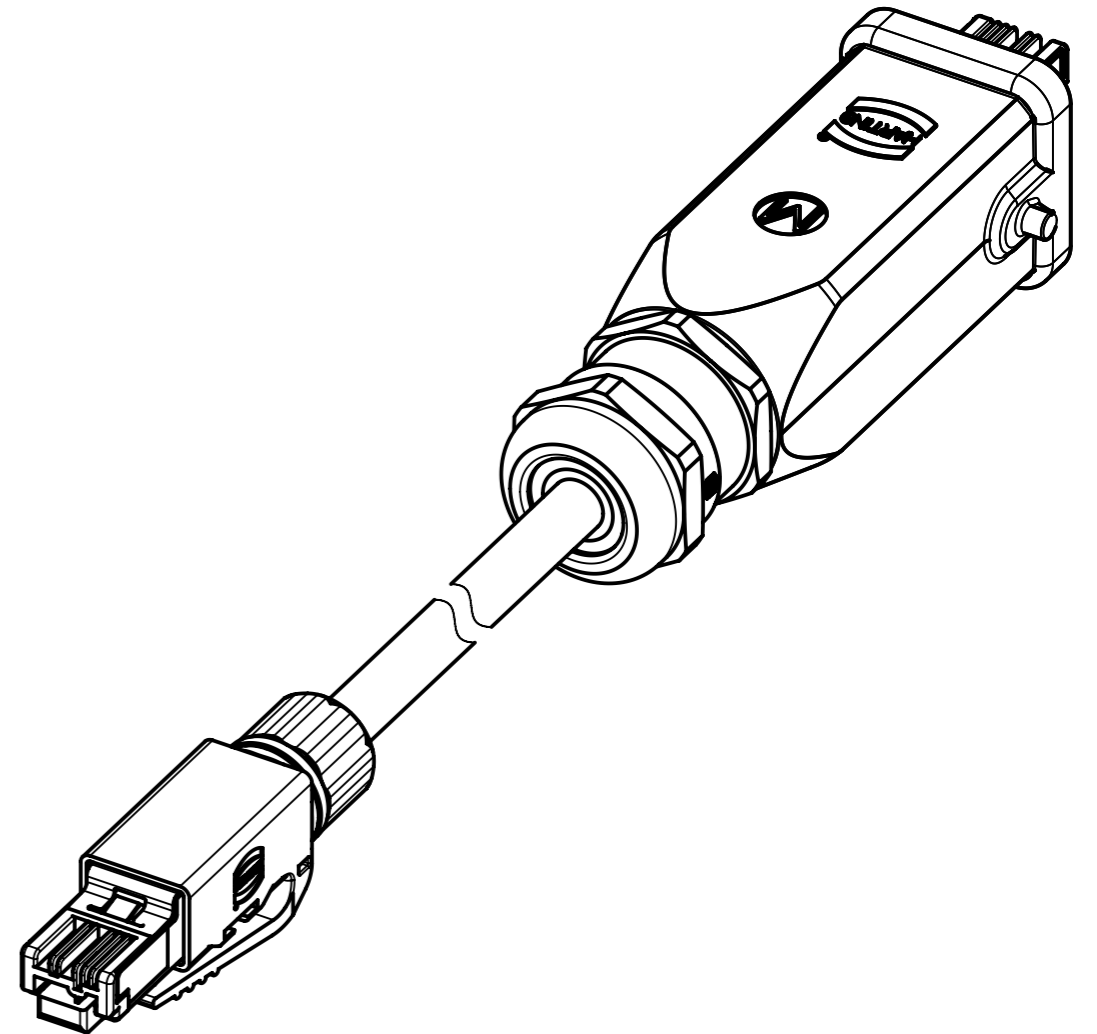
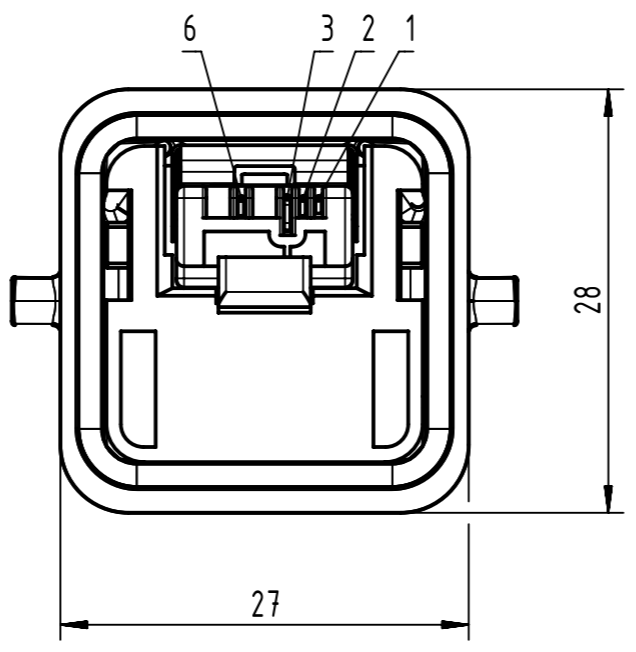
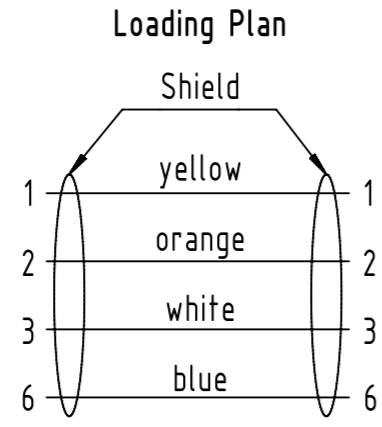
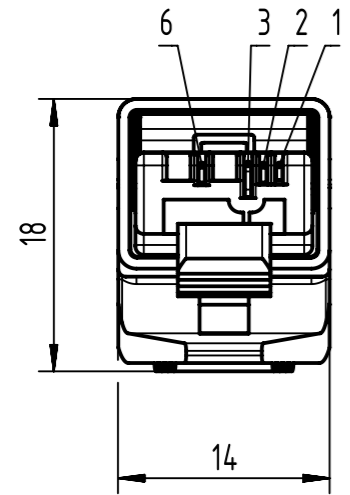
Connector Location A

Connector Location B



X  
male


Y  
male



- Temperature range: -40°C ... +70°C

	All rights reserved	Created by STOCHECIC Stochei	Inspected by COSTEA Costea	Standardisation MUNTEANV Muntean	Date 2019-10-30	State Final Release
	Department HCS - RO	Title RJ Industrial Cable Assembly			Doc-Key / ECM-Nr. 100155468/UGD/006/E 500000159777	
HARTING Customised Solutions D-32339 Espelkamp		Type TB	Number 0945700XXXX		Rev. E	Page 1/2

1	2	3	4	5	6	7	8	
RJ45 Ethernet Stranded Cable, 4xAWG 22/7, PVC, Cat. 5+, green								
47	09457001183		100					
46	09457001182		90					
45	09457001181		80					
44	09457001180		70					
43	09457001179		60					
42	09457001186		53					
41	09457001178		50					
40	09457001177		40					
39	09457001184		33					
38	09457001176		30					
37	09457001175		20					
36	09457001174		15					
35	09457001173		10					
34	09457001172		9					
33	09457001171		8					
32	09457001185		7.5					
31	09457001170		7					
30	09457001169		6					
29	09457001168		5					
28	09457001167		4					
27	09457001166		3					
26	09457001165		2					
25	09457001164		1.5					
24	09457001163		1					
23	09457001162		0.5					
22	09457001161		100					
21	09457001160		90					
20	09457001159		80					
19	09457001158		70					
18	09457001157		60					
17	09457001156		50					
16	09457001155		40					
15	09457001154		30					
14	09457001153		20					
13	09457001152		15					
12	09457001151		10					
11	09457001131		9					
10	09457001130		8					
9	09457001129		7					
8	09457001128		6					
7	09457001127		5					
6	09457001126		4					
5	09457001125		3					
4	09457001124		2					
3	09457001123		1.5					
2	09457001122		1					
1	09457001121		0.5					
Cont. no.	Part no.	Type of cable	Dim. a[m]					
RJ45 Ethernet Trailing Cable, 4xAWG 22/7, PUR, Cat. 5+, green								
70	09457000061		100					
69	09457000060		90					
68	09457000059		80					
67	09457000058		70					
66	09457000057		60					
65	09457000056		50					
64	09457000055		40					
63	09457000054		30					
62	09457000053		20					
61	09457000052		15					
60	09457000032		12					
59	09457000051		10					
58	09457000031		9					
57	09457000030		8					
56	09457000029		7					
55	09457000028		6					
54	09457000027		5					
53	09457000026		4					
52	09457000025		3					
51	09457000024		2					
50	09457000023		1.5					
49	09457000022		1					
48	09457000021		0.5					
Cont. no.	Part no.	Type of cable	Dim. a[m]					
RJ45 Ethernet Standard Cable, 4xAWG 22/1, PVC, Cat. 5+, green								
70	09457000061		100					
69	09457000060		90					
68	09457000059		80					
67	09457000058		70					
66	09457000057		60					
65	09457000056		50					
64	09457000055		40					
63	09457000054		30					
62	09457000053		20					
61	09457000052		15					
60	09457000032		12					
59	09457000051		10					
58	09457000031		9					
57	09457000030		8					
56	09457000029		7					
55	09457000028		6					
54	09457000027		5					
53	09457000026		4					
52	09457000025		3					
51	09457000024		2					
50	09457000023		1.5					
49	09457000022		1					
48	09457000021		0.5					
Cont. no.	Part no.	Type of cable	Dim. a[m]					

 <b>All rights reserved</b> Department HCS - RO		Created by STOCECIC Stoceci	Inspected by COSTEA Costea	Standardisation MUNTEANV Muntean	Date 2019-10-30	State Final Release
HARTING Customised Solutions D-32339 Espelkamp		Title <b>RJ Industrial Cable Assembly</b>		Doc-Key / ECM-Nr. 100155468/UGD/006/E 500000159777		Rev. <b>E</b>
		Type <b>TB</b>	Number <b>0945700XXXX</b>		Page <b>2/2</b>	