

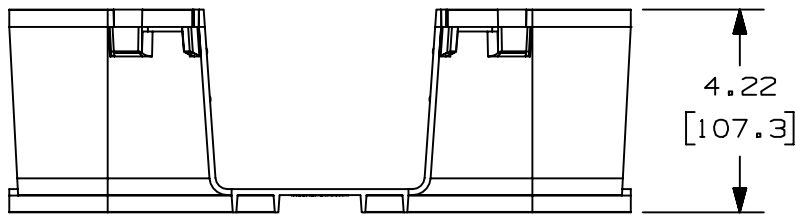
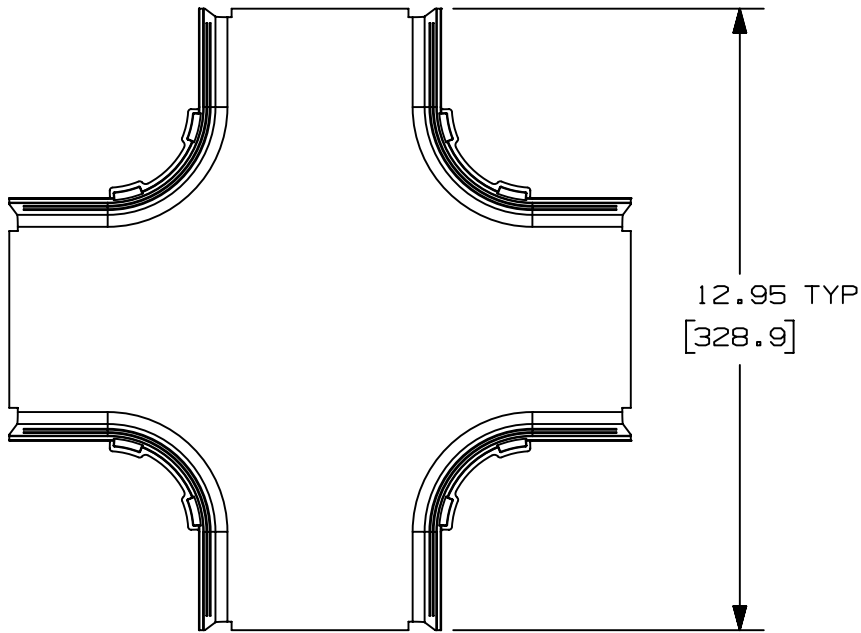
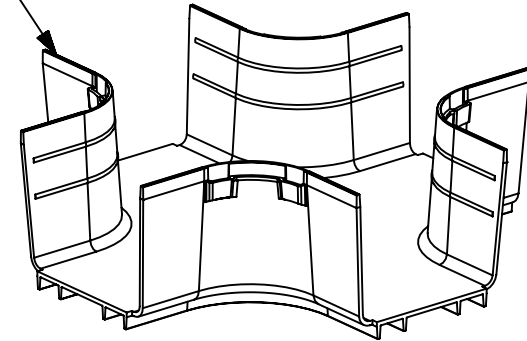
THIS COPY IS PROVIDED ON A RESTRICTED BASIS AND IS NOT TO BE USED IN ANY WAY DETRIMENTAL TO THE INTERESTS OF PANDUIT CORP.

**NOTES:**

1. SEE CURRENT CATALOG FOR ADDITIONAL PART SUFFIXES TO INDICATE COLOR AND/OR PACKAGE QUANTITY.
2. THE FIBERRUNNER 4x4 FOUR-WAY CROSS FITTING IS DESIGNED WITH A MINIMUM 2" (50.8) BEND RADIUS TO PROTECT FIBER OPTIC CABLES.
3. DIMENSIONS IN PARENTHESES ARE IN METRIC.
4. PARTS SUPPLIED:  
(1) - FOUR WAY CROSS

PANDUIT PART NUMBER	WEIGHT	MATERIAL
FRFWC4X4**	1.20 LB/EACH (542g/EACH)	ABS
FRFWC4X4L**	1.20 LB/EACH (542g/EACH)	PC/ABS

FOUR WAY CROSS



REV	DATE	BY	CHK	APR	DESCRIPTION	ECN
05A	8/21/20	MEX-JAGC	DWR	DWR	ADDED PART NUMBER	V09002DZ/11
2	05/15/13	JBN	RTFI	RN	UPDATED DRAWING BORDER & TITLE BLOCK	37847-58

<b>TITLE</b> FIBERRUNNER 4X4 FOUR-WAY CROSS FITTING (FRFWC4X4**, FRFWC4X4L**)					
CONTROL DRAWING					
<b>ITEM REVISION NAME</b> D37847BK/05					
<b>DATASET FILE NAME</b> D37847BK_DC_FRFWC4X4/05A					
<b>MATERIAL:</b> SEE PART NUMBER TABLE ABOVE				<b>DRAWING NUMBER:</b> 37847-58	
		THIRD ANGLE PROJECTION			
<b>DRAWN BY</b> JHNU	<b>DATE</b> 07-16-01	<b>CHK</b> RPA	<b>SCALE</b> NONE	SHT 1 OF 1	SIZE A

D10100DA/20