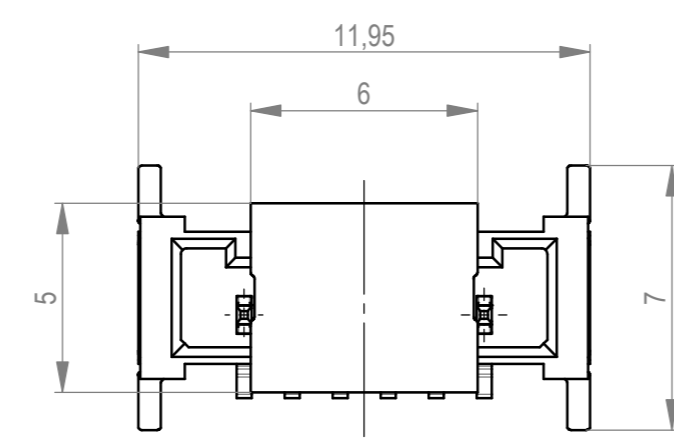
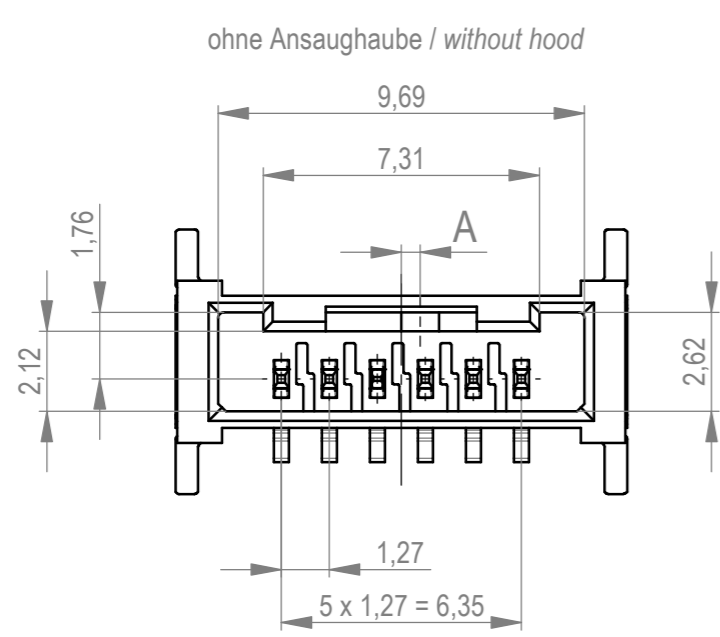
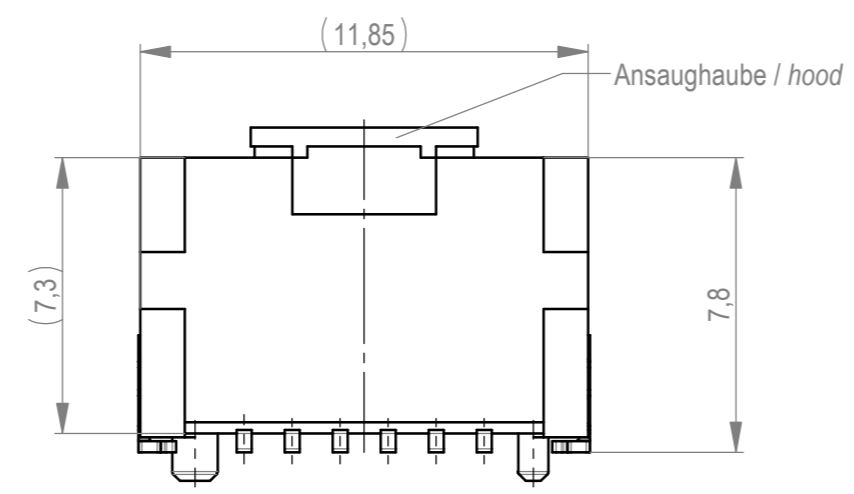
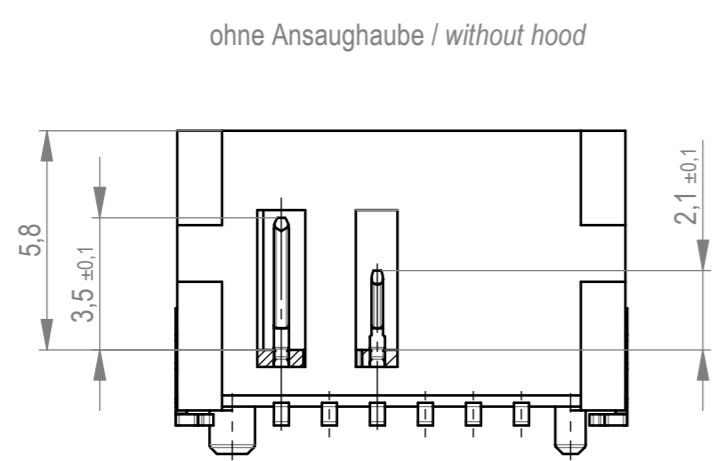
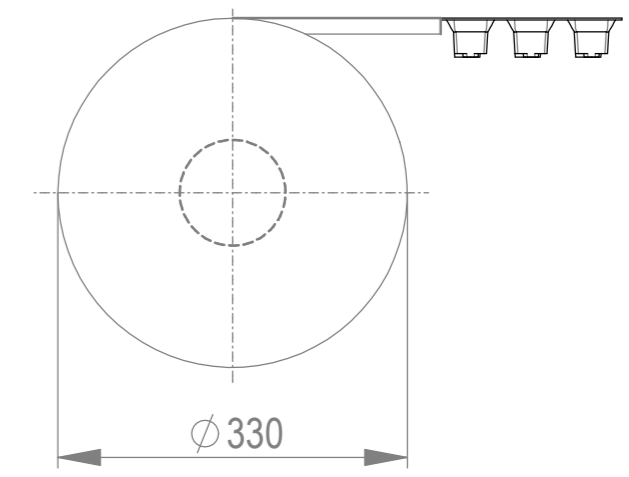
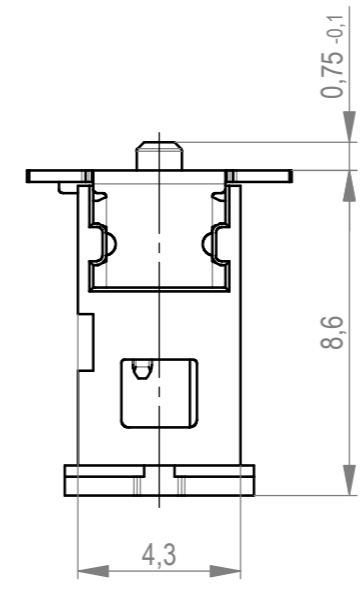
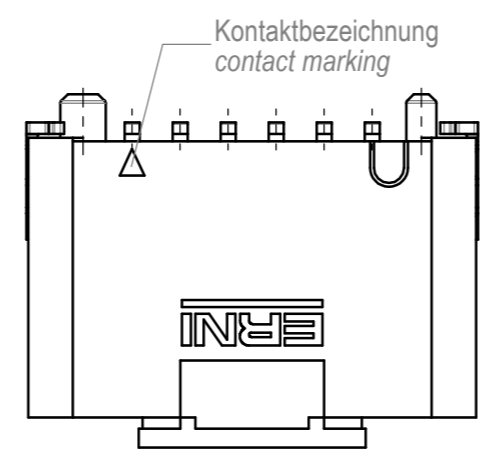
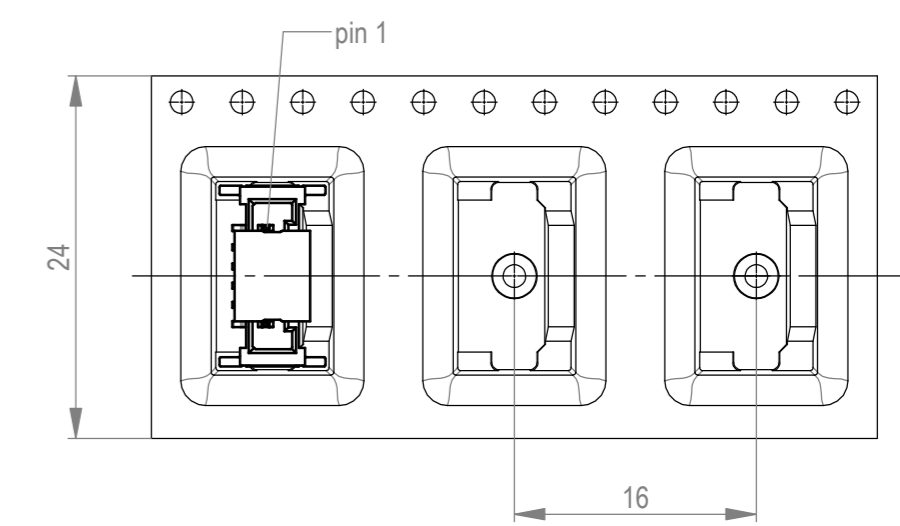


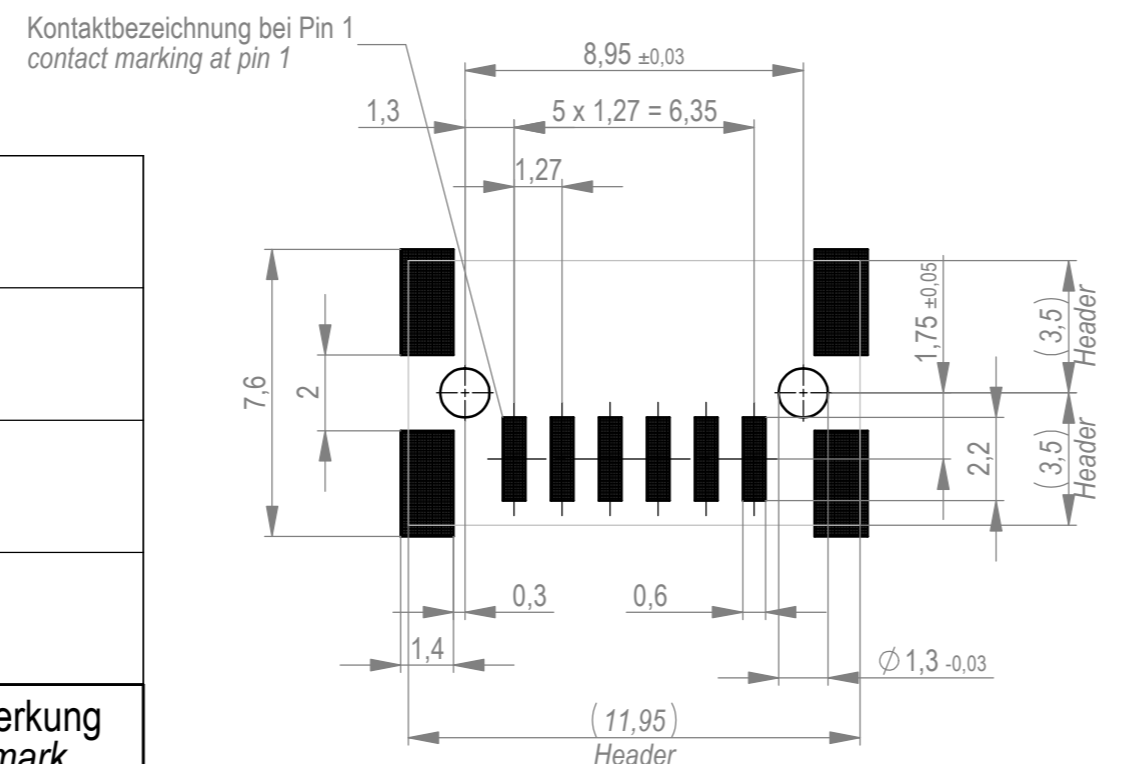
Verpackt im Gurt in Anlehnung an DIN IEC 60286-3
 tape on reel packaging according to DIN IEC 60286-3
 Verpackungseinheit: 440 Stück
 packaging unit: 440 pcs



Abspulrichtung - Reel off direction



Layoutvorschlag
 recommended layout



Anforderungsstufe 1
 performance level 1
 Kontaktbereich vergoldet
 mating area gold plating
 Anschlussbereich verzinkt 4-6 µm
 terminal area 4-6 µm tin plating
 Koplanarität der Anschlüsse ≤ 0,1 mm
 coplanarity area of termination ≤ 0,1 mm

515112		rot red	1,5	
515111		grün green	1,5	
515110		blau blue	0,5	
515109		schwarz black	0,5	
Ident-Nr. part-no.	Codierung coding	Farbe colour	A	Bemerkung remark

Dimension no.	Tolerances ISO 2768-FH ISO 8015	Scale 5:1 Material	
Customer drawing: All rights reserved. Only for information. To ensure that this is the latest version of this drawing, please contact one of the ERNI companies before using.	Subject to modification without prior notice. Drawing will not be updated.	MicroBridge Male Straight SMT 06-pin CPA Pin Pos. 3	
c	14.09.2020	ERNI International AG Zürichstrasse 72 8306 Brüttisellen - Zürich Switzerland	515108
Index	Date	Class	MCBP

Die deutsche Version dieser Zeichnung dient nur zur Erläuterung der Handlung. Bei Abweichungen vom englischen Original gilt das englische Original. This drawing has been created for convenience only and may deviate from the original. In case of any deviation the English version shall prevail. In case of any deviation the English version shall prevail.