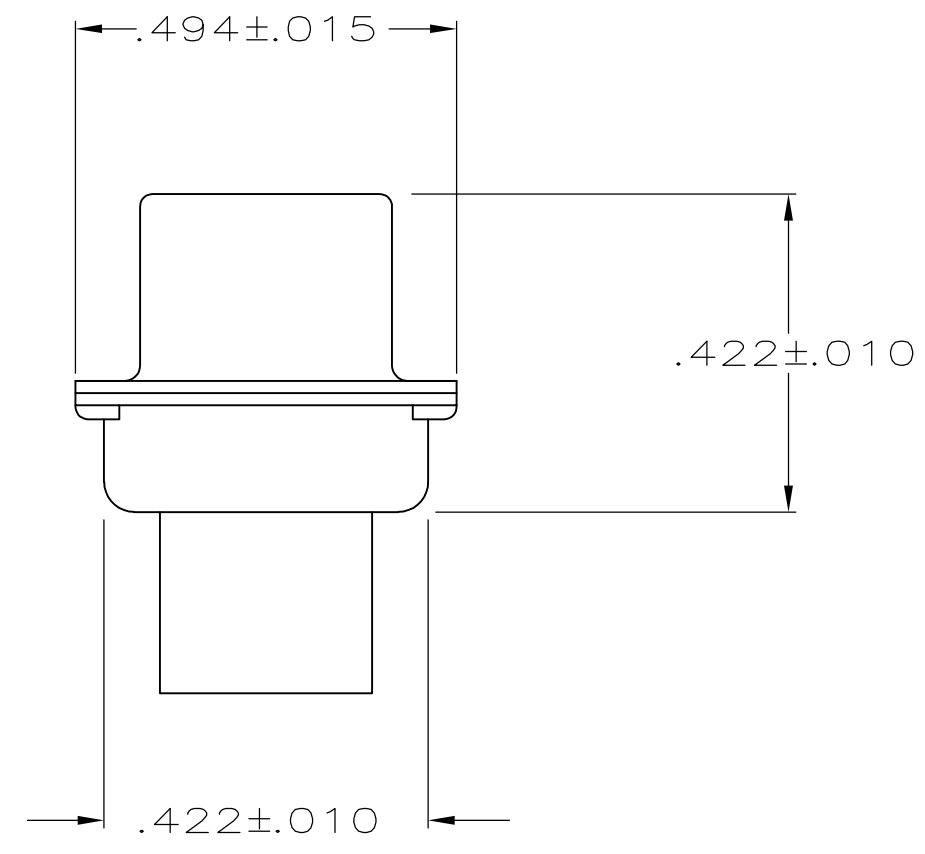
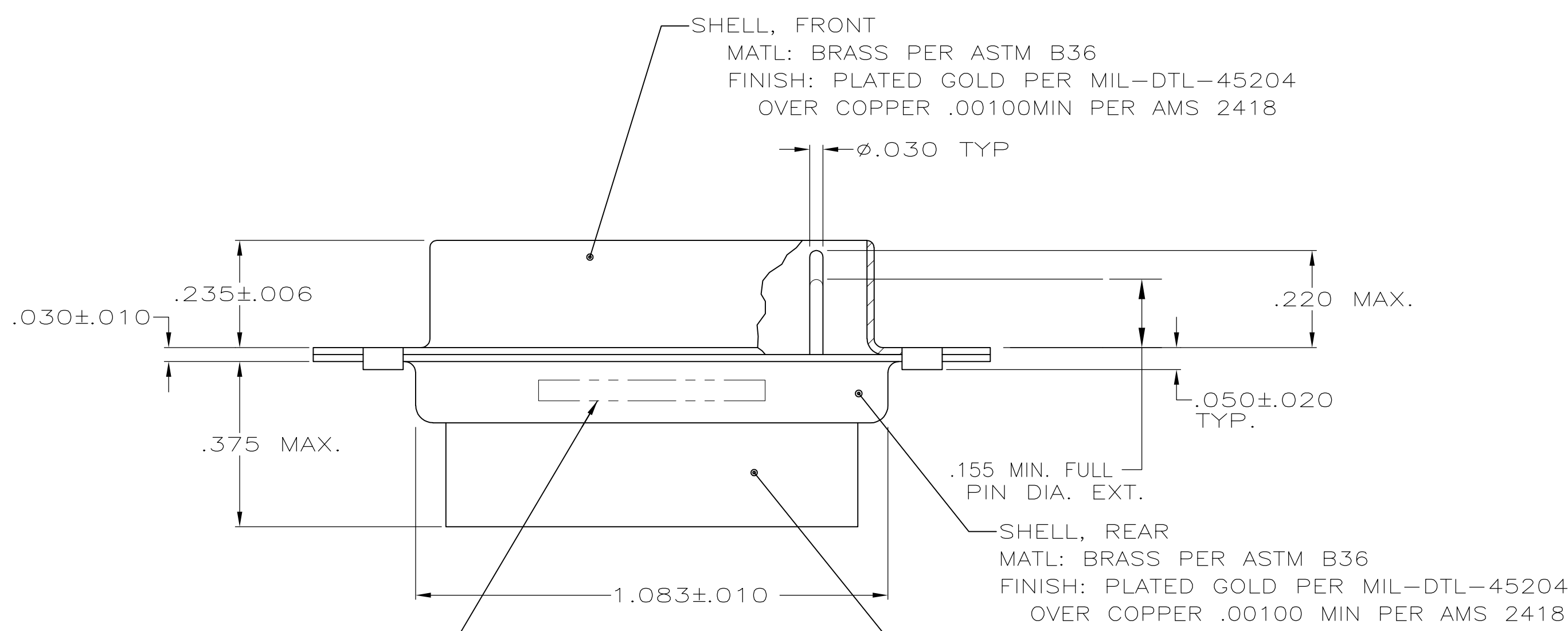
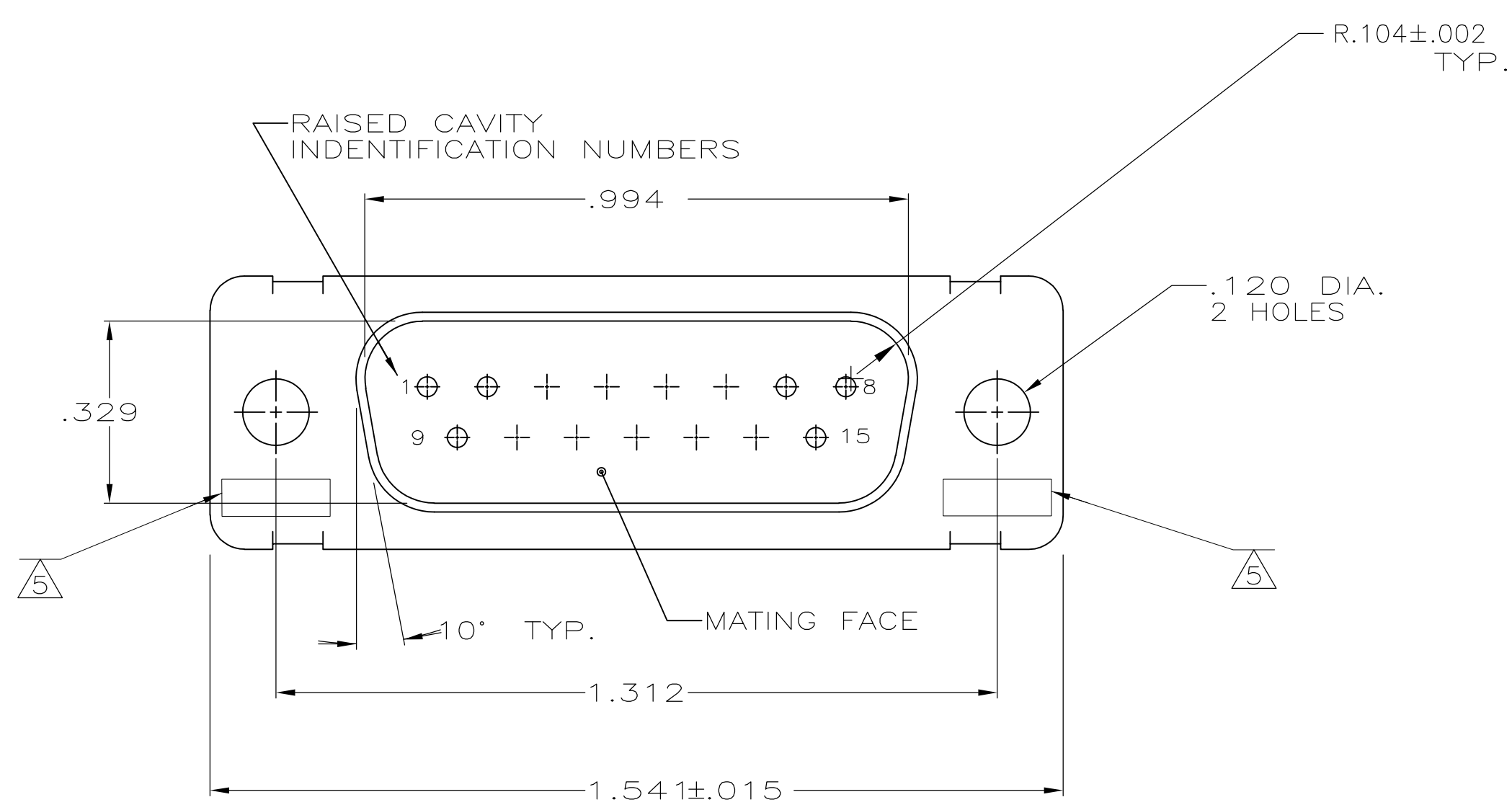


LOC		DIST		REVISIONS			
P	LTR	DESCRIPTION	DATE	DNW	APVD		
E	REV PER ECO	10-000206	1-6-09	CT	RL		



MARK MANUFACTURE'S NAME, BRAND OR LOGO, PART NUMBER AND DATE CODE FAR SIDE. CUSTOMER PART NUMBER NEAR SIDE.

1. THIS PLUG WILL MATE WITH ANY 15 POSN., SIZE 1 RECEPTACLE IN THE AMPLIMITE SERIES.
  2. MAXIMUM WIRE INSULATION USED WITH THIS CONNECTOR IS .068 DIA.
  3. BE-CU RETENTION CLIPS ARE INCLUDED IN INSERT.
  4. CONNECTOR SUPPLIED WITHOUT CONTACTS; SHOWN FOR ILLUSTRATION ONLY.
- ⚠ UL/CSA DESIGNATION STAMPED IN THIS AREA.

1A01-007PHW	1-211619-1
1A01-007	211619-2
1A01-007PHA	211619-1
CUSTOMER PART NUMBER	PART NO.

THIS DRAWING IS A CONTROLLED DOCUMENT.

DIMENSIONS: INCHES	TOLERANCES UNLESS OTHERWISE SPECIFIED:	DIN T. SHUEY 11-16-87	Tyco Electronics Corporation Harrisburg, PA 17105-3608
0 PLC ± -	1 PLC ± -	CHK F.C. BALLEW III 11-30-87	NAME F.C. BALLEW III
2 PLC ± -	3 PLC ± .005	APVD F.C. BALLEW III 11-30-87	PRODUCT SPEC
4 PLC ± -	ANGLES ± ± 0°30'	APPLICATION SPEC	NAME PLUG ASSEMBLY, AMPLIMITE 15 POSITION, SIZE 2, SERIES 109, NON-MAGNETIC
MATERIAL SEE CALLOUTS	FINISH SEE CALLOUTS	WEIGHT	SIZE CAGE CODE DRAWING NO. RESTRICTED TO
			A1 00779 C=211619
CUSTOMER DRAWING		SCALE 4:1	SHEET 1 OF 1 REV E