

THIS DRAWING IS UNPUBLISHED.

RELEASED FOR PUBLICATION

2012

© COPYRIGHT 2012 BY TE CONNECTIVITY

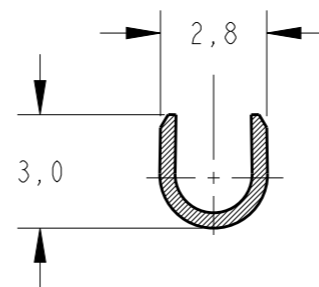
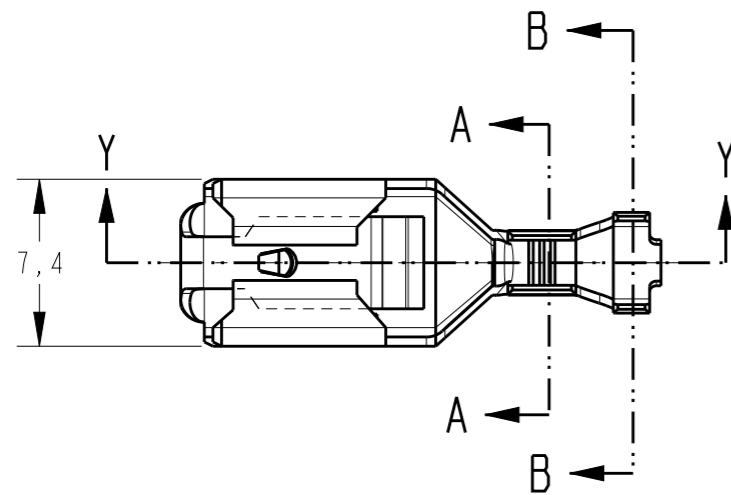
ALL RIGHTS RESERVED.

LOC AP DIST -

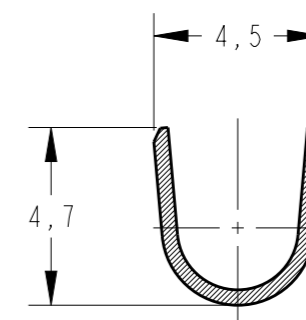
REVISIONS

P	LTR	DESCRIPTION	DATE	DWN	APVD
D		REDRAW BY CAD ECO-14-08818	22SEP2014	NCL	LWP
DI		REVISED BY ECO 16-003723	29JUN2016	HC	WLS

creo
Creo Parametric 2.0
DO NOT REVISE EXCEPT BY CAD

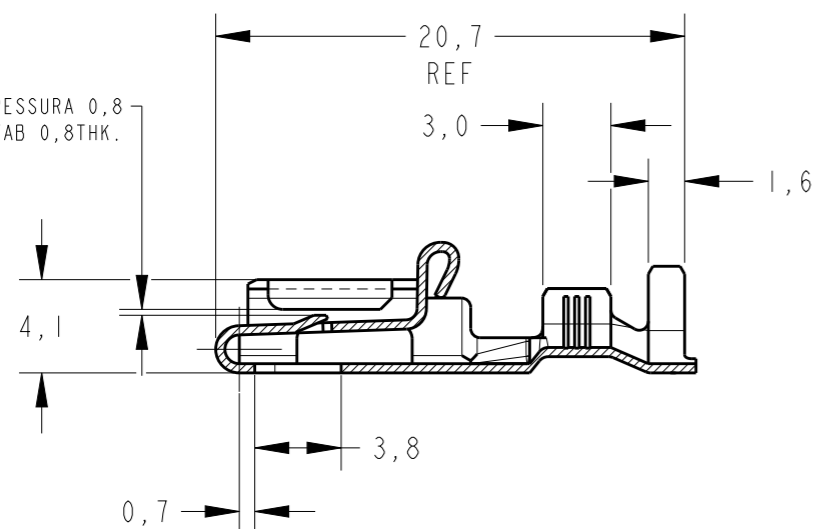


SECTION A-A
SCALE 5:1

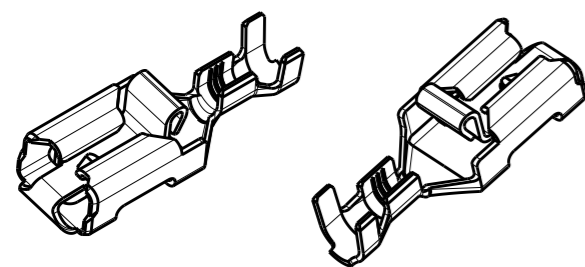


SECTION B-B
SCALE 5:1

PARA LINGUETA ESPESSURA 0,8
FOR TAB 0,8THK.



SECTION Y-Y



PERSPECTIVE VIEWS
SCALE 2:1

OBSOLETE
OBSOLETE
OBSOLETE

PRÉ ESTANHADO/PRE TIN	BRONZE FOSF./PHOSP BRONZE	880646 -6
PRÉ ESTANHADO/PRE TIN	LATÃO / BRASS	880646 -5
ESTANHADO/TIN PLATED	BRONZE FOSF./PHOSP BRONZE	880646 -4
ESTANHADO/TIN PLATED	LATÃO / BRASS	880646 -3
	BRONZE FOSF./PHOSP BRONZE	880646 -2
	LATÃO / BRASS	880646 -1
FINISH	MATERIAL	PART NUMBER

INS. RANGE	WIRE RANGE
∅ 2,0-3,30mm	0,5-1,0mm ²

THIS DRAWING IS A CONTROLLED DOCUMENT.

DWN NCLAPRESA 16 JUL 2012
CHK JRGOLDSCHMIDT 16 JUL 2012
APVD DAOLIVEIRA 16 JUL 2012

NAME: -
PRODUCT SPEC: -
APPLICATION SPEC: -
WEIGHT: -

STE TE Connectivity

TERMINAL POSITIVE LOCK RECEIPT

SIZE A3 CAGE CODE 00779 DRAWING NO C-880646 RESTRICTED TO -

MATERIAL SEE TABLE FINISH SEE TABLE

Customer Drawing SCALE - SHEET 1 OF 1 REV DI