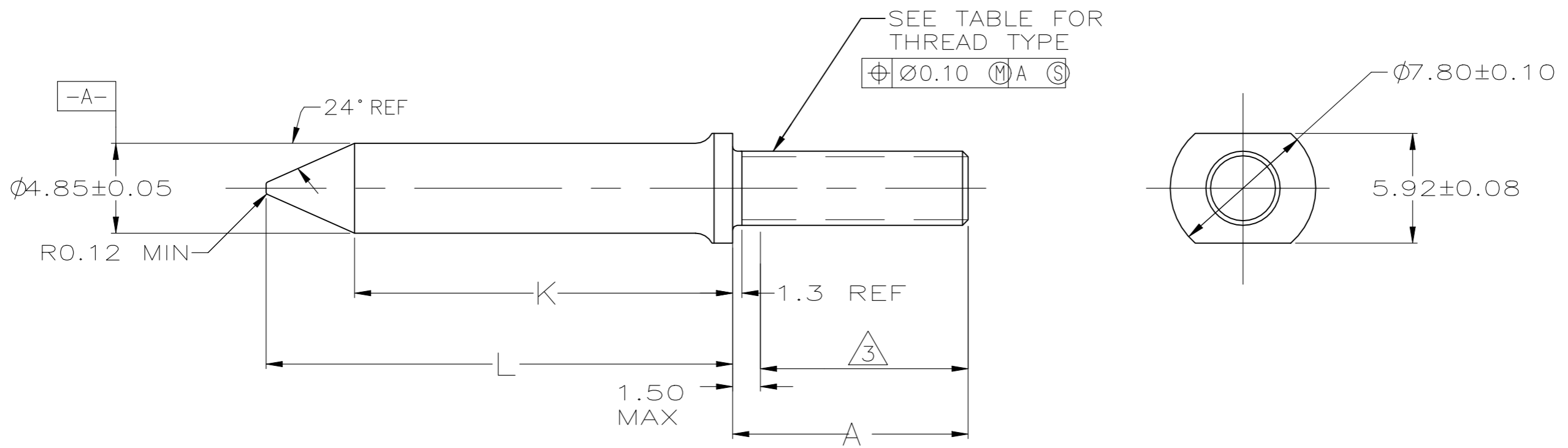


THIS DRAWING IS UNPUBLISHED. RELEASED FOR PUBLICATION
 © COPYRIGHT - By - ALL RIGHTS RESERVED.

LOC	DIST	REVISIONS			
P	LTR	DESCRIPTION	DATE	DWN	APVD
AD	47	G4	IN ZONE B2 DIM 1.3 WAS 0.5	07NOV2022	DP SH

- ① MATERIAL: STAINLESS STEEL.
- ② FINISH: PASSIVATE.
- ③ LOCTITE DRI-LOC 204 APPLIED IN THIS AREA.
- ④ RECOMMENDED P.C. BOARD DRILLED HOLE IS "B" DIAMETER.



31.25	26.48	4.25 ± 0.08	12.7	8-32 UNC 2A	1-223969-0
25.16	20.39	4.10 ± 0.08	9.2	M4 X 7-6G	223969-7
25.16	20.39	4.25 ± 0.08	12.7	8-32 UNC 2A	223969-4
25.16	20.39	4.10 ± 0.08	12.7	M4 X 7-6G	223969-1
L	K	④ "B" DIA	A	THREAD TYPE	PART NUMBER

THIS DRAWING IS A CONTROLLED DOCUMENT.		DWN J.LOCONDRO 27MAR97	STE TE Connectivity														
DIMENSIONS: mm		CHK R.W.ELICKER 27MAR97															
TOLERANCES UNLESS OTHERWISE SPECIFIED:		APVD D.SINISI 27MAR97	NAME														
<table border="0"> <tr><td>0 PLC</td><td>± -</td></tr> <tr><td>1 PLC</td><td>± -</td></tr> <tr><td>2 PLC</td><td>± 0.13</td></tr> <tr><td>3 PLC</td><td>± -</td></tr> <tr><td>4 PLC</td><td>± -</td></tr> <tr><td>ANGLES</td><td>± 2°</td></tr> </table>		0 PLC	± -	1 PLC	± -	2 PLC	± 0.13	3 PLC	± -	4 PLC	± -	ANGLES	± 2°	PRODUCT SPEC	GUIDE PIN, UNIVERSAL POWER MODULE		
0 PLC	± -																
1 PLC	± -																
2 PLC	± 0.13																
3 PLC	± -																
4 PLC	± -																
ANGLES	± 2°																
MATERIAL		APPLICATION SPEC	SIZE	CAGE CODE	DRAWING NO												
①		FINISH	A3 00779		C-223969												
② ③		WEIGHT	CUSTOMER DRAWING		RESTRICTED TO												
		SCALE	4:1		SHEET 1 OF 1												
		REV	G4														