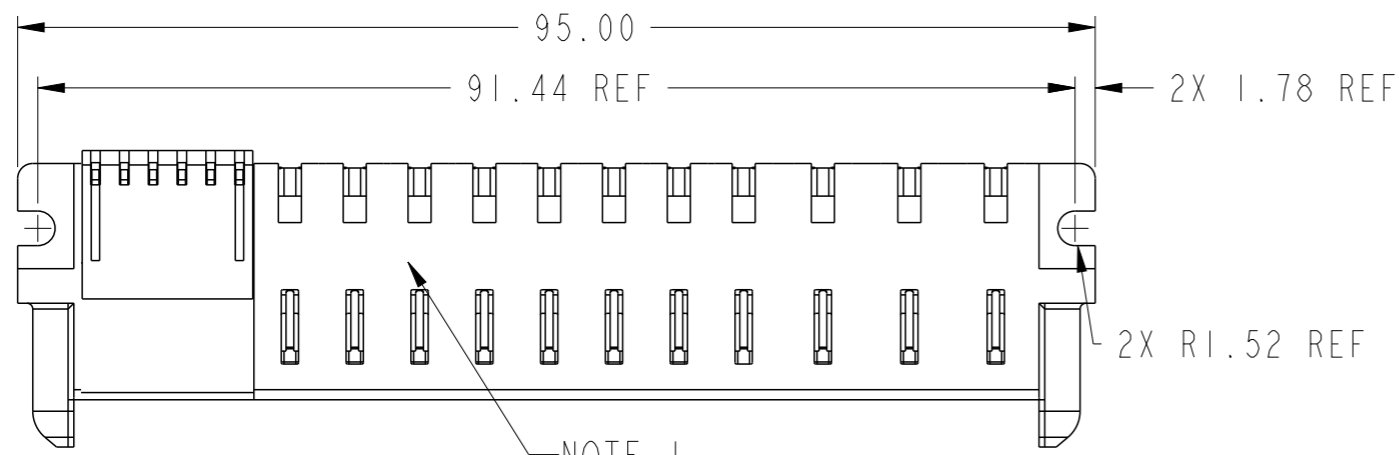
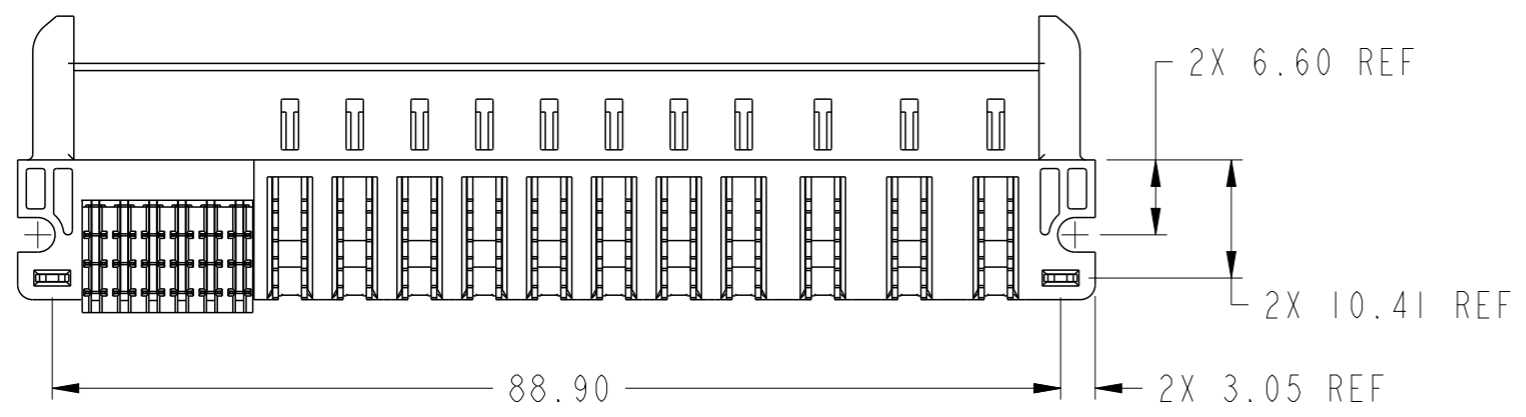
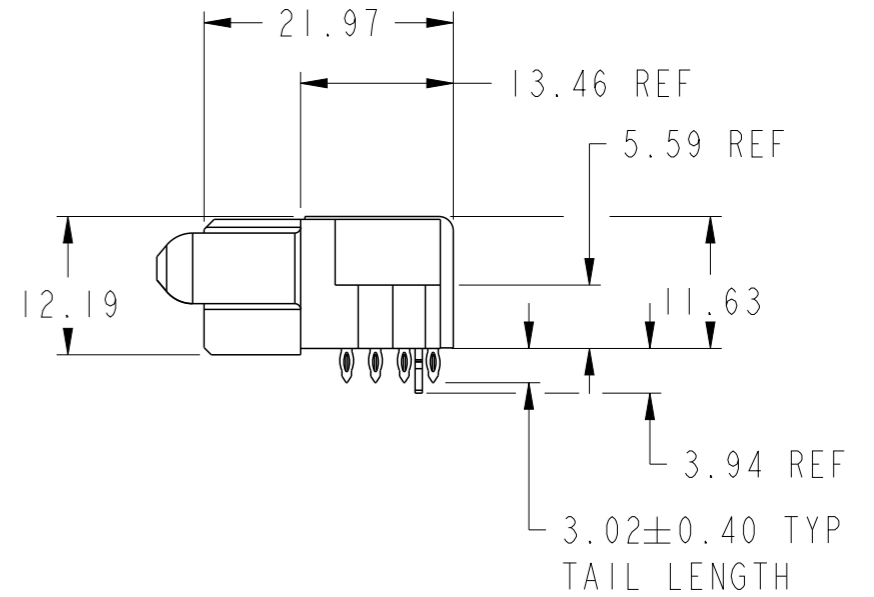
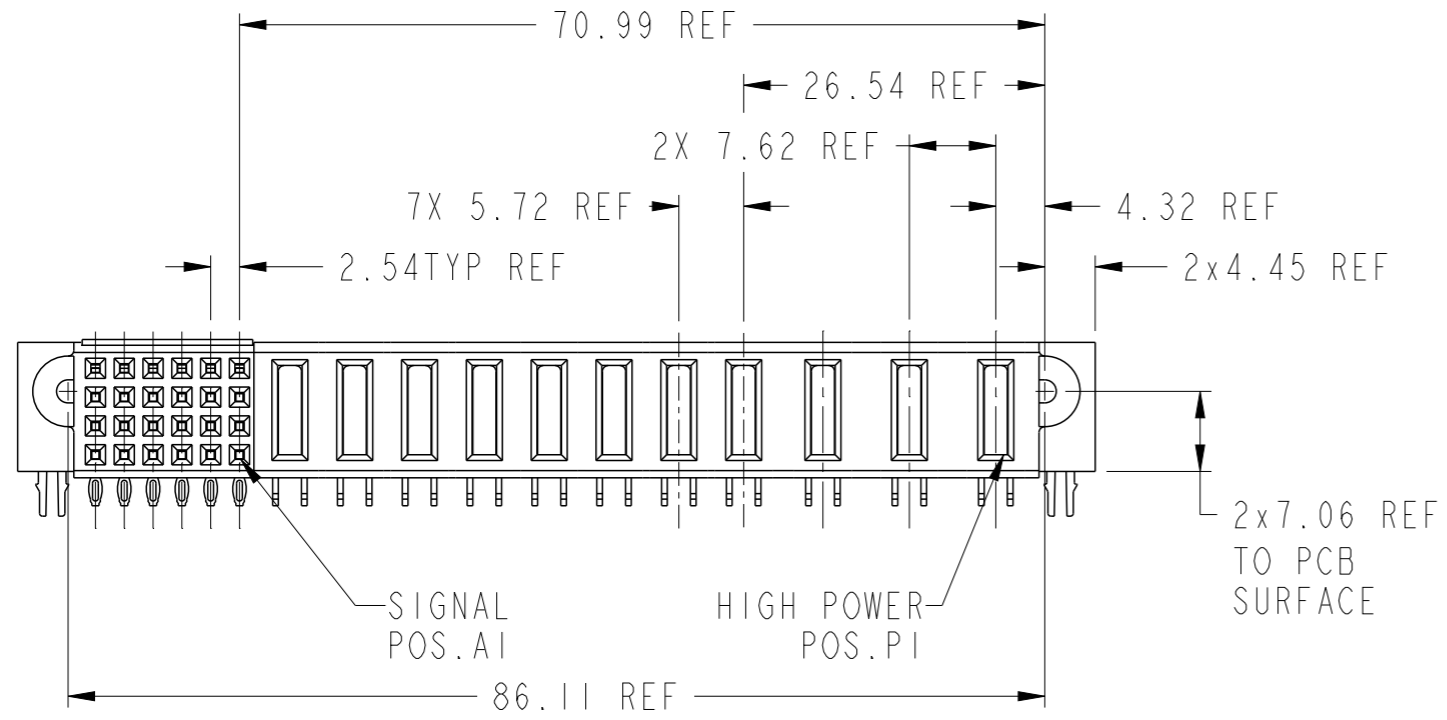


PART NUMBER 10106265-B006001LF

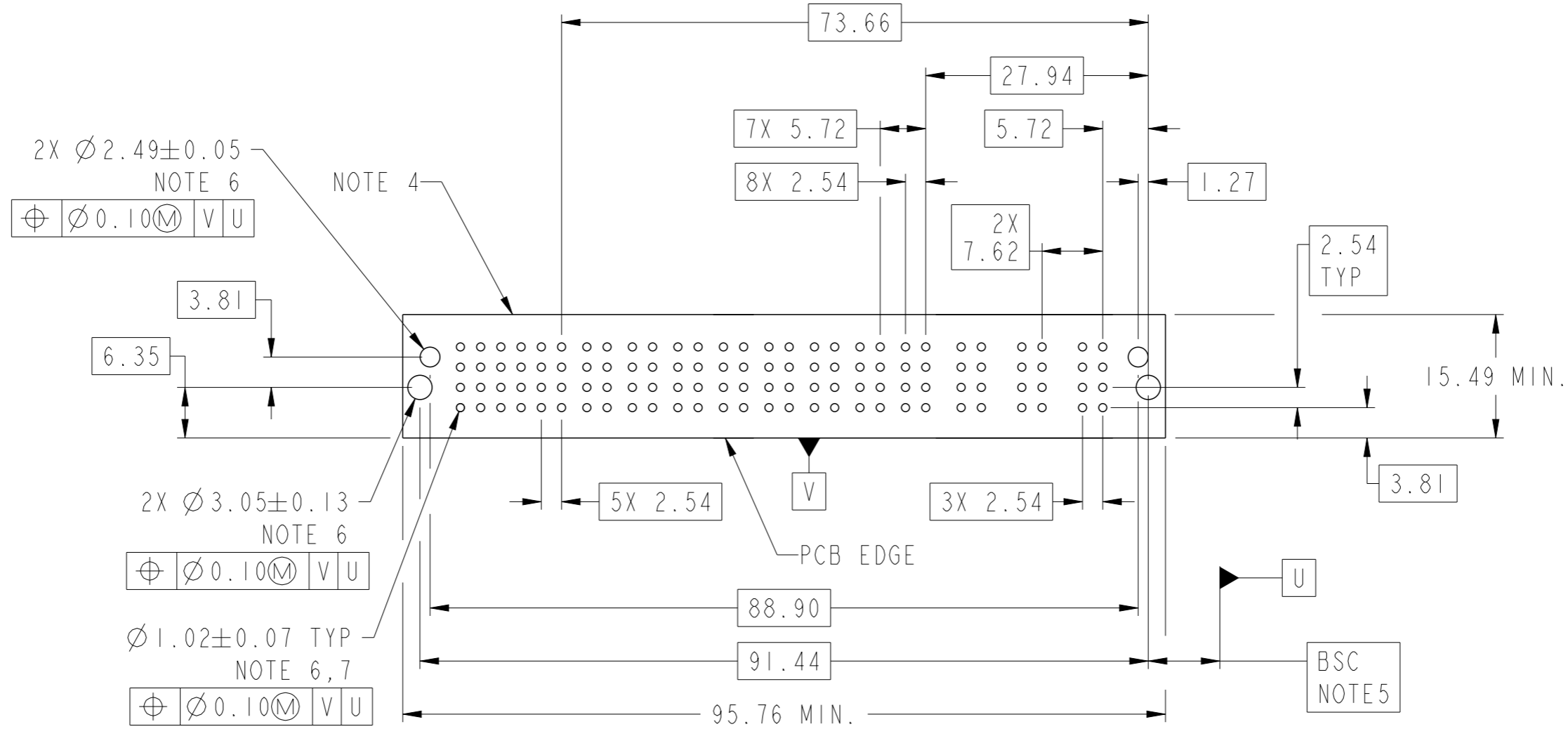
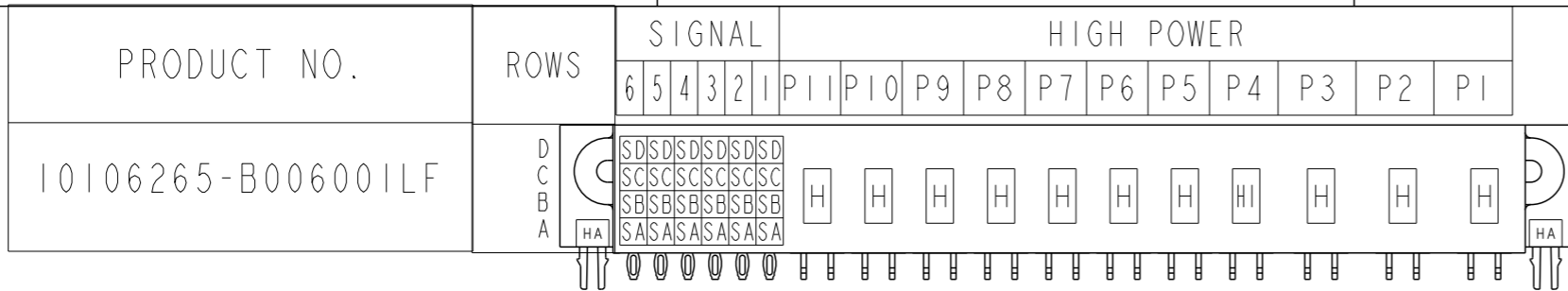


NOTE 1



Copyright FCI.

spec ref	*	dr	Peng-Bing Fu	2012/03/09	projection	mm	size	A3	scale	3:2	
tolerance std	ISO 406 ISO 1101	eng	Eddy Zeng	2013/10/21			ecn no	-	rel level	Released	
TOLERANCES UNLESS OTHERWISE SPECIFIED		chr	Li-He	2013/10/17							
surface	linear	appr	Pei-Ming Zheng	2013/10/21	product family	PwrBlade+	rel level	Released			
ISO 1302	angular	0°	±2°	www.fci.com	cat. no.	-	Product - Customer Drw	sheet 1 of 3			
0.X	±0.5			title	3ACP + 8HP + 24S		dwg no	10106265-B006001		rev	A
0.XX	±0.25			RA PF RECEPTACLE							
0.XXX	±0.10										



2X Ø 2.49 ± 0.05  
NOTE 6  
⊕ Ø 0.10 (M) V U

2X Ø 3.05 ± 0.13  
NOTE 6  
⊕ Ø 0.10 (M) V U

Ø 1.02 ± 0.07 TYP  
NOTE 6, 7  
⊕ Ø 0.10 (M) V U

CODE	DESCRIPTION
H	STD HIGH POWER CONTACT
HI	FMLB HIGH POWER CONTACT
SA	STD SIGNAL CONTACT, ROW A
SB	STD SIGNAL CONTACT, ROW B
SC	STD SIGNAL CONTACT, ROW C
SD	STD SIGNAL CONTACT, ROW D
HA	METAL HOLD DOWN

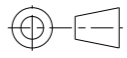
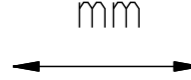

dr	Peng-Bing Fu	2012/03/09	projection	mm	size	A3	scale	3:2
eng	Eddy Zeng	2013/10/21			ecn no		-	
chr	Li-He	2013/10/17			rel level		Released	
appr	Pei-Ming Zheng	2013/10/21	product family		PwrBlade+			
			3ACP + 8HP + 24S RA PF RECEPTACLE			dwg no 10106265-B006001		rev A
www.fci.com			cat. no.		-		Product - Customer Drw	
						sheet 2 of 3		

NOTES:

- 1) "FCI", PART NUMBER AND DATE CODE TO BE MARKED ON THIS SURFACE.  
THE P/N CAN BE OMITTED IF THERE IS NOT ENOUGH SPACE ON THIS SURFACE.
- 2) MATERIALS:  
-HOUSING - GLASS FILLED WITH HIGH TEMP THERMOPLASTIC, UL94V-0.  
-SIGNAL CONTACT - COPPER ALLOY.  
-POWER CONTACT - HIGH CONDUCTIVITY COPPER ALLOY.
- 3) PLATING SPECIFICATION REFER TO FCI 10116351
- 4) DENOTES CONNECTOR KEEP OUT ZONE.
- 5) DATUM AND BASIC DIMENSIONS WERE ESTABLISHED BY CUSTOMER.
- 6) ALL HOLE DIAMETERS ARE FINISHED HOLE SIZES.
- 7)  $1.15 \pm 0.025$ MM DRILLED HOLE PLATED WITH 0.00762MM MIN Sn  
OVER 0.0254-0.0762MM Cu PLATING TO ACHIEVE A  $1.02 \pm 0.07$ MM HOLE.
- 8) PRODUCT SPECIFICATION REFER TO FCI GS-12-658.  
APPLICATION SPECIFICATION REFER TO FCI GS-20-141.  
PRODUCT PACKAGED IN TRAYS, REFER TO FCI GS-14-1502.



Copyright FCI.

dr	Peng-Bing Fu	2012/03/09			size	A3	scale	3:2
eng	Eddy Zeng	2013/10/21			ecn no	-		
chr	Li-He	2013/10/17			rel level	Released		
appr	Pei-Ming Zheng	2013/10/21	product family	PwrBlade+				
		title 3ACP + 8HP + 24S RA PF RECEPTACLE		dwg no 10106265-B006001	rev A			
www.fci.com		cat. no.	-	Product - Customer Drw		sheet 3 of 3		