

THIS DRAWING IS UNPUBLISHED. RELEASED FOR PUBLICATION
 © COPYRIGHT BY TYCO ELECTRONICS CORPORATION. ALL RIGHTS RESERVED.

LOC	DIST	REVISIONS					
FT	0	P	LTR	DESCRIPTION	DATE	DWN	APVD
			0	RELEASED	1/15/04	SS	CR

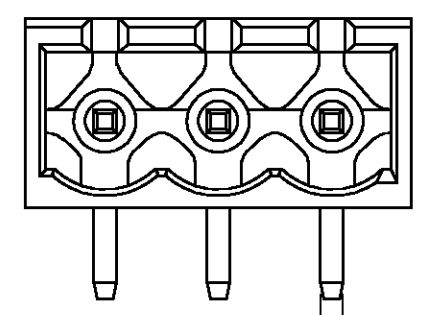
NOTES:

MATERIAL:
 HOUSING: POYAMIDE GLASS FILLED, UL94V-0,
 COLOR GREEN.
 SOLDER PIN: BRASS, TIN PLATED.

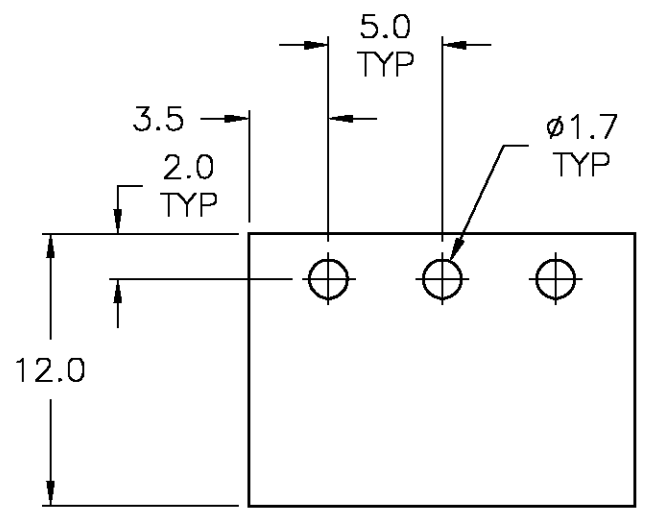
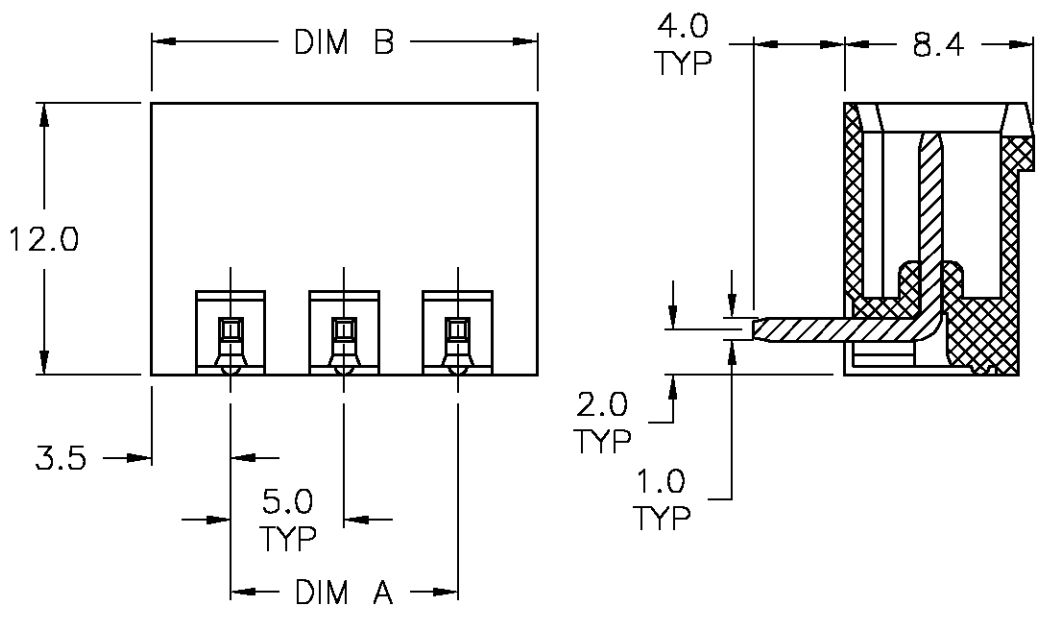
ELECTRICAL:
 VOLTAGE RATING: 250VAC
 CURRENT RATING: 15A
 INSULATION RESISTANCE: 500Mohm AT 500VDC
 WITHSTANDING VOLTAGE: 1500VAC(1 MIN)

MECHANICAL:
 CONTINUOUS WORKING TEMP.: -40°C TO +105°C
 SOLDERING TEMP.: +250°C, 5 SECONDS MAX.

△ PRELIMINARY PART NUMBER.



1.0 TYP



RECOMMENDED PCB LAYOUT

△	122.00	115.00	24	2-1546795-4
△	117.00	110.00	23	2-1546795-3
△	112.00	105.00	22	2-1546795-2
△	107.00	100.00	21	2-1546795-1
△	102.00	95.00	20	2-1546795-0
△	97.00	90.00	19	1-1546795-9
△	92.00	85.00	18	1-1546795-8
△	87.00	80.00	17	1-1546795-7
△	82.00	75.00	16	1-1546795-6
△	77.00	70.00	15	1-1546795-5
△	72.00	65.00	14	1-1546795-4
△	69.00	60.00	13	1-1546795-3
△	62.00	55.00	12	1-1546795-2
△	57.00	50.00	11	1-1546795-1
△	52.00	45.00	10	1-1546795-0
△	47.00	40.00	9	1546795-9
△	42.00	35.00	8	1546795-8
△	37.00	30.00	7	1546795-7
△	32.00	25.00	6	1546795-6
△	27.00	20.00	5	1546795-5
△	22.00	15.00	4	1546795-4
△	17.00	10.00	3	1546795-3
△	12.00	5.00	2	1546795-2

DIM B DIM A NO. OF POS. PART NO.

THIS DRAWING IS A CONTROLLED DOCUMENT.

DWN	S SCHLEGEL	1/15/04	Tyco Electronics Corporation Harrisburg, PA 17105
CHK	C RICHARD	1/15/04	
APVD	C RICHARD	1/15/04	
PRODUCT SPEC	NAME		
APPLICATION SPEC	TERMINAL BLOCK, R/A CLOSED END, 5.0mm ECONOMY		RESTRICTED TO
WEIGHT	A3 00779 C-1546795		SCALE NTS SHEET 1 OF 1 REV 0
CUSTOMER DRAWING			

DIMENSIONS:	TOLERANCES UNLESS OTHERWISE SPECIFIED:
MM	
0 PLC	± -
1 PLC	± 0.3
2 PLC	± 0.10
3 PLC	± -
4 PLC	± -
ANGLES	± -
MATERIAL	FINISH
-	-