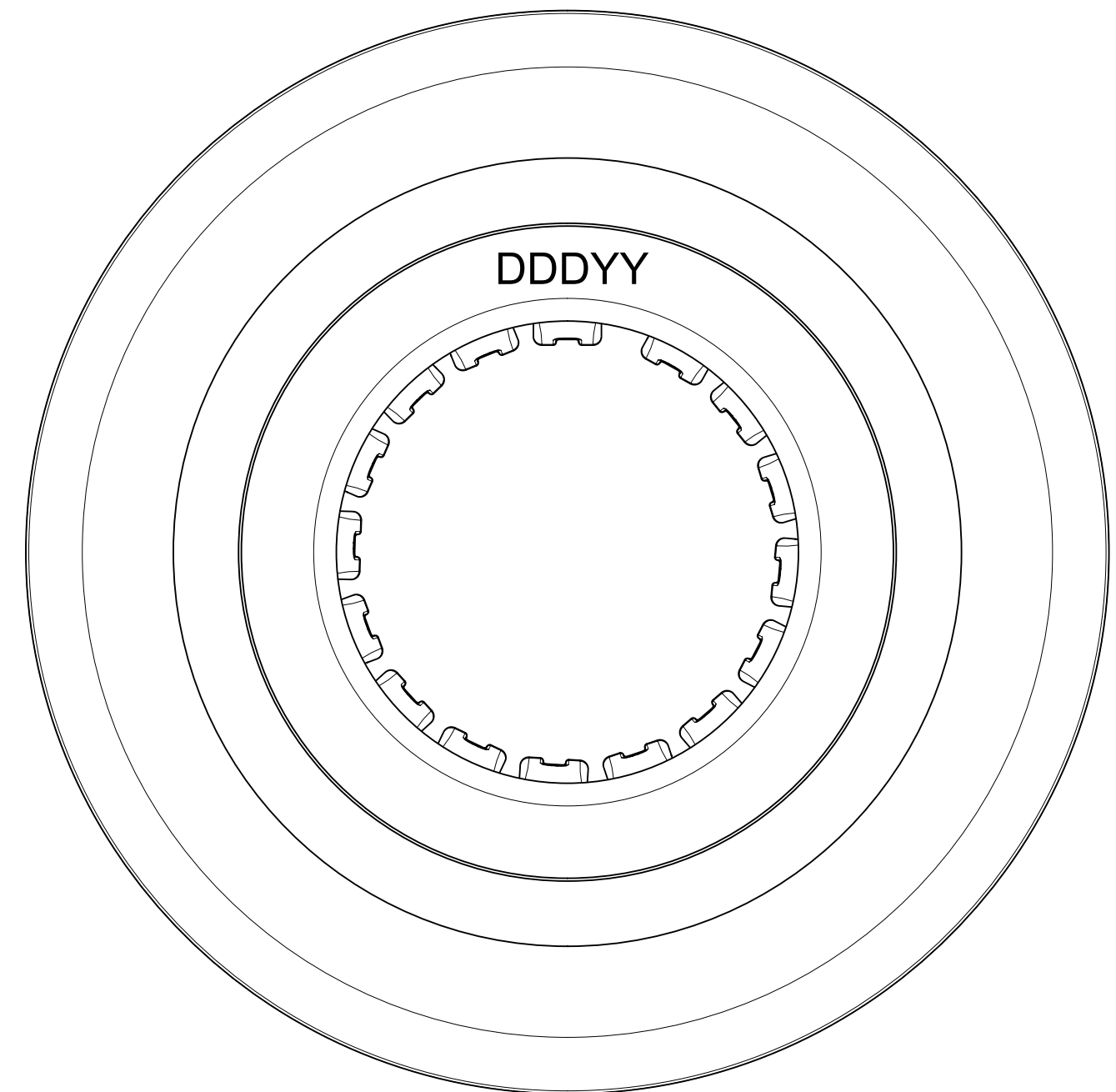
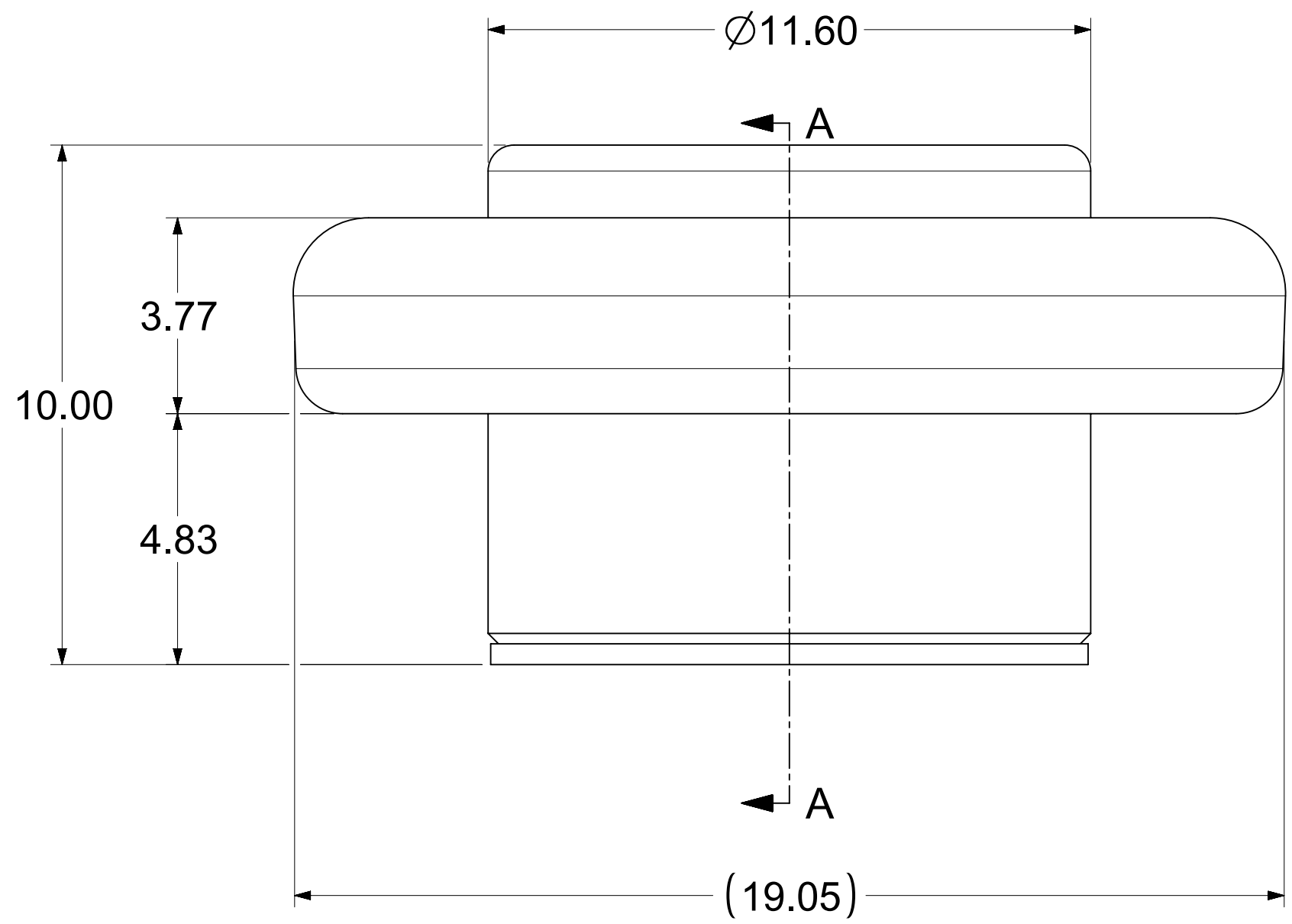
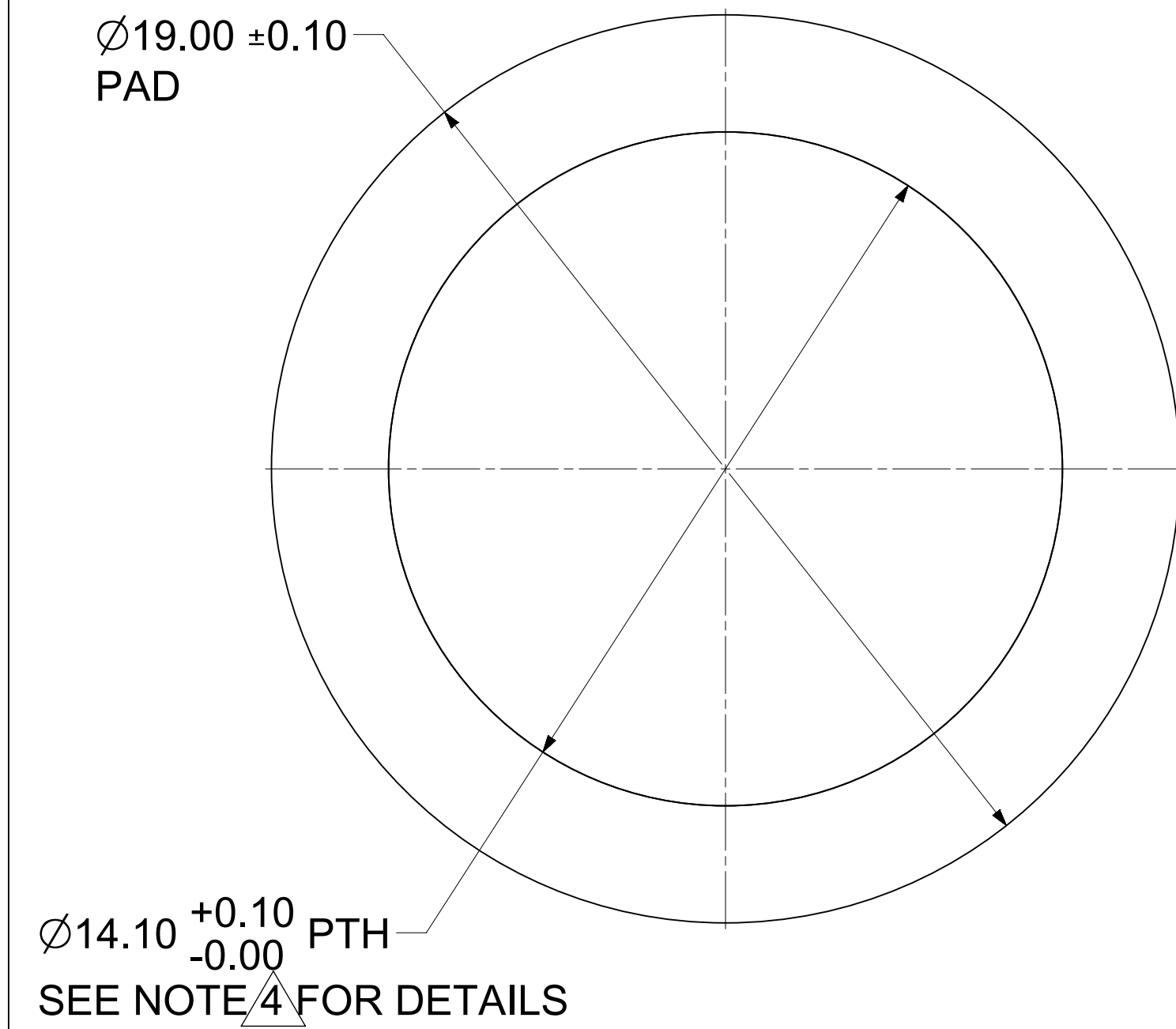


REMOVABLE
PICK AND PLACE
CAP SHOWN

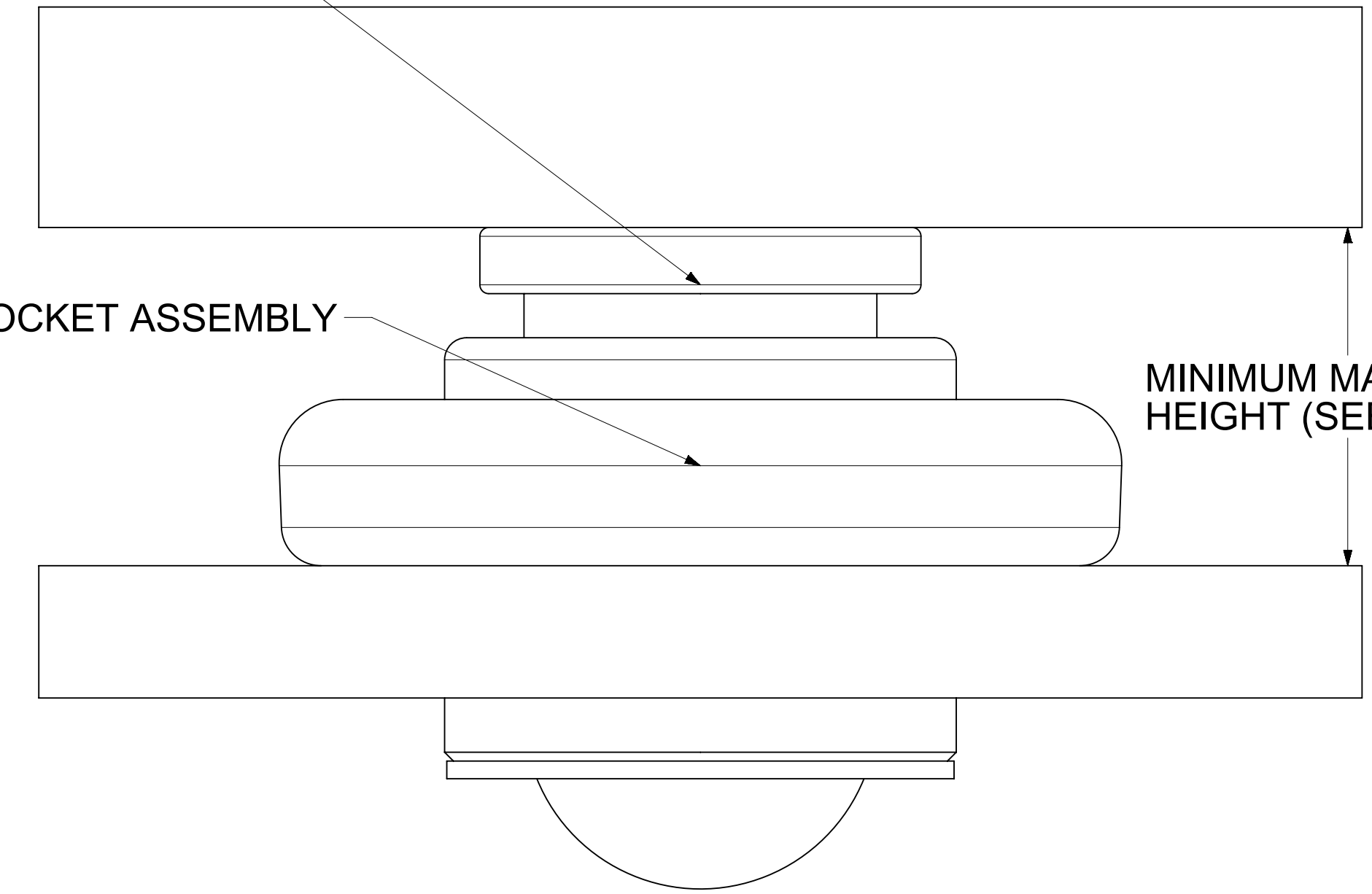


RECOMMENDED PCB LAYOUT



PIN ASSEMBLY

SOCKET ASSEMBLY

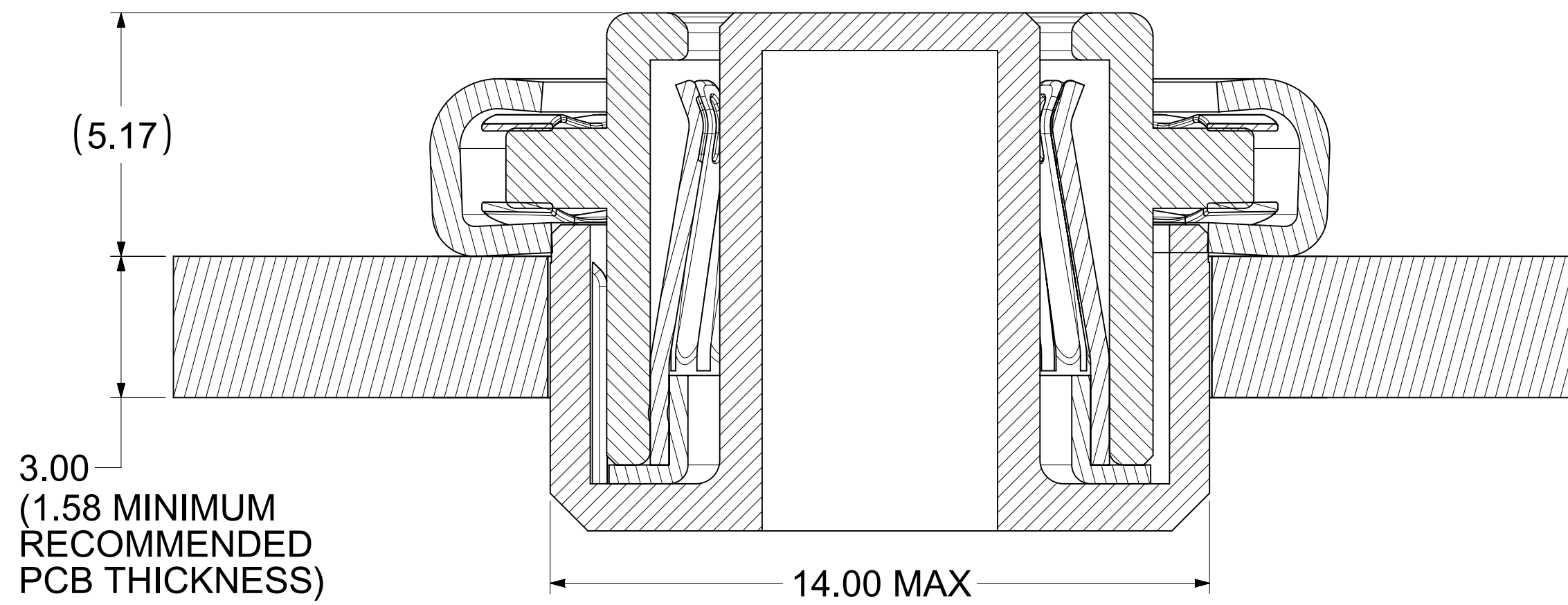


MINIMUM MATING
HEIGHT (SEE NOTE 2)

MATING PROFILE

NOTES:

- MATERIALS:
RETENTION CAP: STAINLESS STEEL
PICK AND PLACE CAP: LCP UL94, V-0 COLOR BLACK
BASE METAL: HIGH CONDUCTIVE COPPER ALLOY
PLATING ON CONTACTS: 0.75 MICRON MIN GOLD OVER 1.27 MICRON MIN NICKEL
PLATING ON BODY: 3.18 MICRON MIN SILVER OVER 1.27 MICRON MIN NICKEL
- MATES WITH THE STANDARD PIN DRAWINGS:
i. 8.0MM SMT DRAWING 2032633080-SD, MIN. MATING DISTANCE 7.32MM
ii. 8.0MM PRESS FIT DRAWING 2032630001-SD, MIN. MATING DISTANCE 7.67MM
iii. 8.0MM SCREW MOUNT DRAWING 2032634185-SD, MIN. MATING DISTANCE 7.77MM
- PRODUCT SPECIFICATION: 2043130001-PS
- APPLICATION SPECIFICATION: 2043130001-AS.
SEE APPLICATION SPEC FOR SOLDERING INFORMATION.
- PACKAGING SPECIFICATION: 2043650000-PK
- SILVER COMPONENTS WILL BE SUPPLIED TARNISH FREE BUT MAY TARNISH OVER TIME.
- PICK AND PLACE CAP TO BE REMOVED AFTER SOLDERING.
CAP TO BE PUSHED OUT OF BOTTOM FROM THE TOP.
- DATE CODE TO BE LASER MARKED APPROXIMATELY WHERE SHOWN USING DDDYY FORMAT



SECTION A-A

THIS DRAWING CONTAINS INFORMATION THAT IS PROPRIETARY TO MOLEX ELECTRONIC TECHNOLOGIES, LLC AND SHOULD NOT BE USED WITHOUT WRITTEN PERMISSION

DIMENSION UNITS	SCALE	CURRENT REV DESC: UPDATED THE TITLE BLOCK	
mm	NTS		
GENERAL TOLERANCES (UNLESS SPECIFIED)			
ANGULAR TOL	± 0.5°		
4 PLACES	±	EC NO: 747243	
3 PLACES	±	DRWN: SACHIK7	2023/02/28
2 PLACES	± 0.15	CHK'D: SCS02	2023/04/25
1 PLACE	± 0.25	APPR: HTHYAGARAJ	2023/04/26
0 PLACES	±	INITIAL REVISION:	
DRAFT WHERE APPLICABLE MUST REMAIN WITHIN DIMENSIONS		DRWN: NVELUSAMY	2019/01/24
		APPR: BPISZCZOR	2019/04/05
THIRD ANGLE PROJECTION		DRAWING	SERIES
		D-SIZE	212195
		MATERIAL NUMBER	CUSTOMER
		2121950010	GENERAL MARKET
		DOCUMENT NUMBER	DOC TYPE DOC PART REVISION
		2121950010-SD	PSD 000 B2
		SHEET NUMBER	
		1 OF 1	

molex

8.0MM SENTRALITY TOP ENTRY SMT
SOCKET WITH FLOAT IN T&R

PRODUCT CUSTOMER DRAWING

DOCUMENT NUMBER DOC TYPE DOC PART REVISION

2121950010-SD PSD 000 B2

MATERIAL NUMBER CUSTOMER SHEET NUMBER

2121950010 GENERAL MARKET 1 OF 1