

**Heavy Duty Solar Panel**

**Features**

- Excellent Low Light Performance
- Extremely Reliable. 5 Year Product Warranty. 25 year Solar Cell Output Warranty.
- High Efficiency with High Transparency Low Iron Tempered Glass Cover. Rugged Extruded Anodized Aluminum Frame
- Sealed for Protection from Harsh Environments
- 36" Output Cables with PV Solar Connectors for Easy Hookup

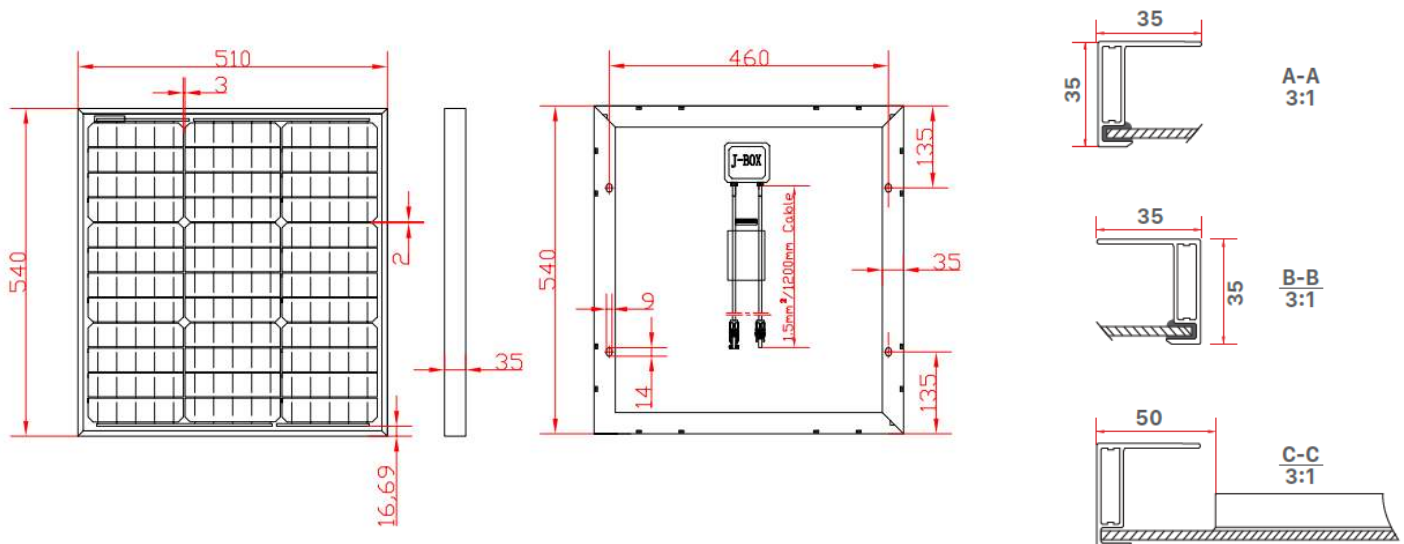


**Applications**

- Battery Charging Applications
- Wireless Base Stations
- Remote Sensors
- Remote Gates
- Surveillance Cameras
- Outdoor Lighting
- Backup Power Systems
- Electric Fence

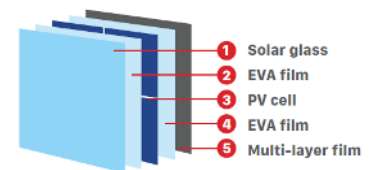
**Description**

The TPS-24-30W solar panels are high efficiency 72 cell designs with excellent low light performance. The polycrystalline silicon solar cells are laminated with a TPT (Tedlar/Polyester/Tedlar) and EVA (Ethylene Vinyl Acetate) bi-layer for high reliability and long life. The cell array is sealed in a heavy duty extruded 6063-T5 aluminum frame with a high transparency low iron tempered glass cover to protect the solar cells from harsh environments; hail, wind, snow and ice. The solar panels are easy to mount because of the aluminum frame design. The wired connections are via a 12AWG x 900mm (36") outdoor rated cable terminated with PV solar connectors.



**Specifications**

TPS-24-30W	
<b>Maximum Power (+/-3%)</b>	30W
<b>Voltage at Pmax (Vmp)</b>	38.4V
<b>Current at Pmax (Imp)</b>	0.79A
<b>Open Circuit Voltage (Voc)</b>	45V
<b>Short Circuit Current (Isc)</b>	0.84A
<b>Short Circuit I Temp Coeff</b>	+ 0.045% / °C
<b>Open Circuit V Temp Coeff</b>	-0.292% / °C
<b>Output Power Temp Coeff</b>	-0.408%/°C
<b>Wind Survivability</b>	201kph (125mph)
<b>Hailstone Survivability</b>	1" @ 50mph
<b>Operating Temperature</b>	-40 to +85°C
<b>Continuous Power Capability (6hrs average sunlight per day)</b>	7.5W
<b>Size</b>	540 x 510 x 35mm (21.3 x 20.1 x 1.4")
<b>Weight</b>	4kg (8.8lb)
<b>Warranty</b>	5 Year Product / 25 Year Output

**System Ordering:****TPS-24-30W** 24V 30W Heavy Duty Solar Panel**For further information contact:**

Tyconsystems.com

