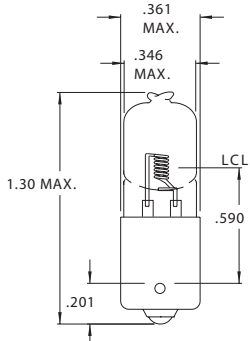
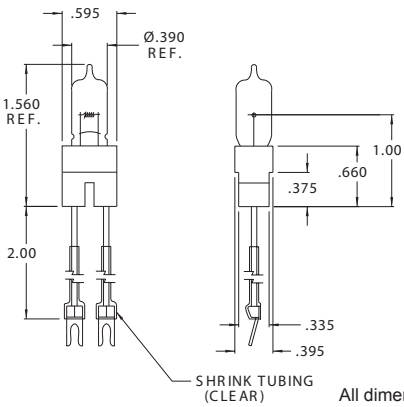


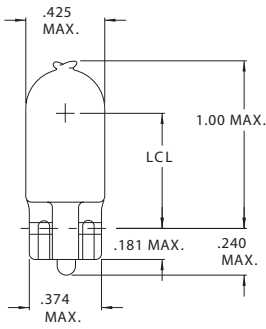
## T-2 3/4 Miniature Bayonet Base Halogen Lamp

Part Number:	CM2059	
Design Voltage:	12.0	
Design Wattage:	10.0	
Nominal MSCP:	10.0	
Filament Shape:	C-8I	
Laboratory Life:	1000 Hours	
Materials:	Globe: Glass Base: Nickel Plated Brass	

## T-3 Special Halogen Lamp

Part Number:	CM250021	
Design Voltage:	14.0	
Design Wattage:	50.0	
Nominal MSCP:	95.0	
Filament Shape:	CC-6	
Laboratory Life:	150 Hours	
Materials:	Globe: Quartz Glass Base: Ceramic Leads: 18 AWG High Temperature	

## T-3 1/4 Wedge Base Halogen Lamp

Part Number:	CM1999	
Design Voltage:	28.0	
Design Wattage:	25.0	
Nominal MSCP:	40.0	
Filament Shape:	CC-6	
Laboratory Life:	125 Hours	
Materials:	Globe: Glass	

### Caution:

These halogen cycle lamps may shatter if scratched or damaged. Use these lamps in fixtures designed for their high operating temperature. Always turn power off when changing these lamps. For satisfactory performance limit the seal and wire lead temperature to 350°C to avoid deterioration. Maintain a minimum lamp wall temperature of 250°C to assure the halogen cycle occurs. Remove all grease and fingerprints from these lamps before operation. Never exceed the design voltage of these lamps.