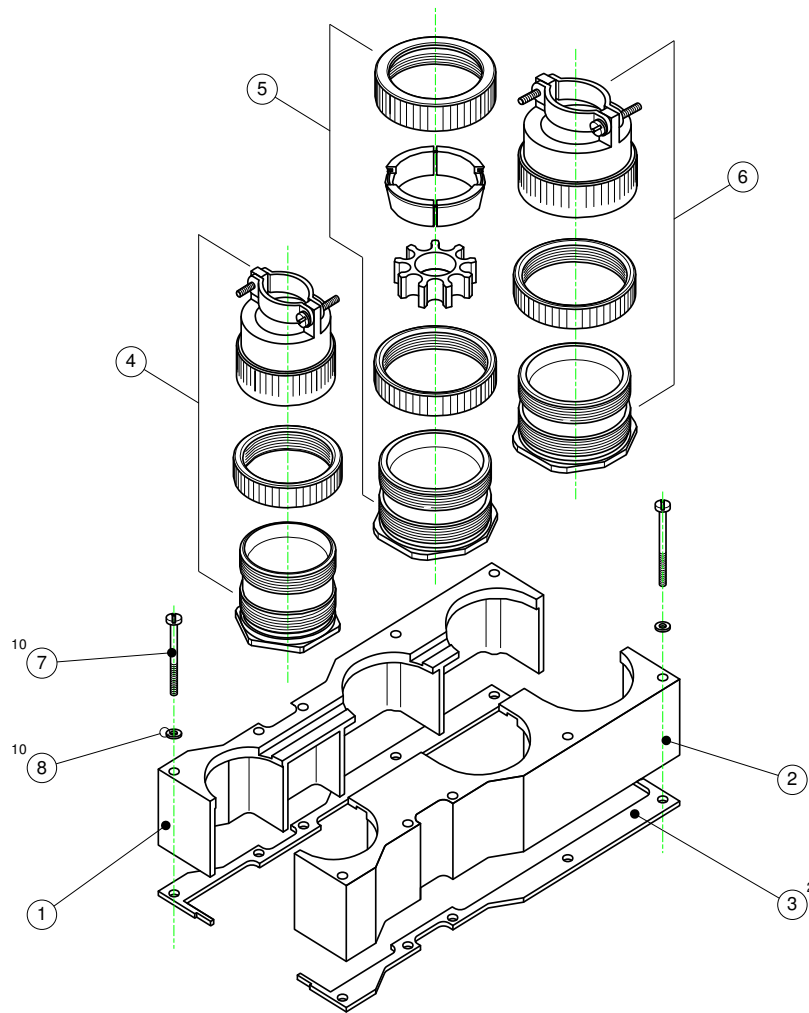



CUSTOMER DRAWING

REV: **B** DATE: Aug 21, 2008
 REV PER ECO 17-004602 / 4-6-17 CT / EH



↑ 2008 Tyco Electronics. All rights reserved.

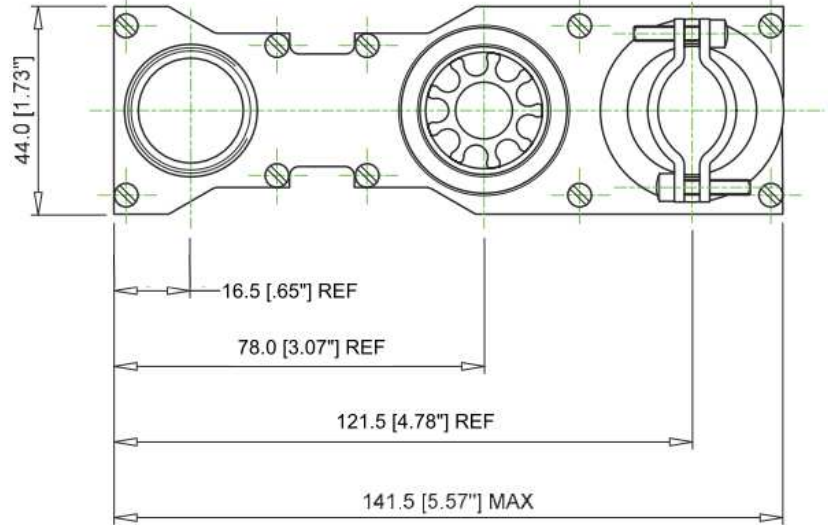
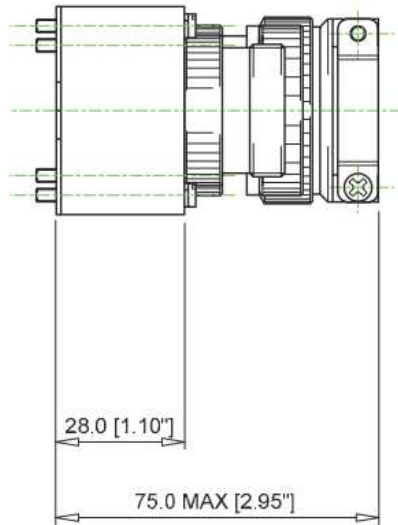
		<p>Raychem Wire and Harnessing Products 300 Constitution Drive Menlo Park, CA 94025, USA</p>		TITLE: HEXASHIELD ADAPTOR FOR ARINC 600 CONNECTOR – SIZE 2 – SHELL CAVITIES A, B AND C PLAIN/CABLE CLAMPING NUTS	
UNLESS OTHERWISE SPECIFIED DIMENSIONS ARE IN MILLIMETERS. INCH DIMENSIONS ARE SHOWN IN BRACKETS		Tyco Electronics reserves the right to amend this drawing at any time. Users should evaluate the suitability of the product for their application.		DOCUMENT NO. HEXA6-AY-00-02-AY-102	
DRAWN: IRT	DATE: NOV 06	CAGE CODE: 06090	DCR # ECO-08-019355	FILE: 87008/A6-02-102	SCALE: NONE
				SHEET: 1 OF 3	

CUSTOMER DRAWING

REV:
B

DATE:
Aug 21, 2008

REV PER ECO 17-004602 / 4-6-17 CT / EH




END VIEW WITH ITEM 4 CABLE CLAMP
DELETED FOR CLARITY

KIT DESCRIPTION

ITEM	QTY	DESCRIPTION	MATERIAL
1	1	LEFT SIDE SUPPORT	ALUMINIUM ALLOY
2	1	RIGHT SIDE SUPPORT	ALUMINIUM ALLOY
3	2	RETENTION BAR	ALUMINIUM ALLOY
4	1	BODY ASSEMBLY – A7	
		BODY – A7	ALUMINIUM ALLOY
		HOLDING NUT – A7	ALUMINIUM ALLOY
		CABLE CLAMP ADAPTOR – O/NO 18	ALUMINIUM ALLOY
5	1	BODY ASSEMBLY – A9	
		BODY – A9	ALUMINIUM ALLOY
		HOLDING NUT – A9	ALUMINIUM ALLOY
		STAR – A9	ALUMINIUM ALLOY
		CONIC RING – A9	ALUMINIUM ALLOY
		BACK NUT – A	ALUMINIUM ALLOY
6	1	BODY ASSEMBLY – A9	
		BODY – A9	ALUMINIUM ALLOY
		HOLDING NUT – A9	ALUMINIUM ALLOY
		CABLE CLAMP ADAPTOR – O/NO 20	ALUMINIUM ALLOY
7	10	PAN HEAD SCREW - 4-40 UNC x 1.25" LONG	STAINLESS STEEL - PASSIVATED
8	10	SPRING WASHER	STAINLESS STEEL - PASSIVATED

PART NUMBERING

↑ 2008 Tyco Electronics. All rights reserved.

		<p>Raychem Wire and Harnessing Products 300 Constitution Drive Menlo Park, CA 94025, USA</p>		<p>TITLE: HEXASHIELD ADAPTOR FOR ARINC 600 CONNECTOR – SIZE 2 – SHELL CAVITIES A, B AND C PLAIN/CABLE CLAMPING NUTS</p>	
<p>UNLESS OTHERWISE SPECIFIED DIMENSIONS ARE IN MILLIMETERS. INCH DIMENSIONS ARE SHOWN IN BRACKETS</p>		<p>Tyco Electronics reserves the right to amend this drawing at any time. Users should evaluate the suitability of the product for their application.</p>		<p>DOCUMENT NO. HEXA6-AY-00-02-AY-102</p>	
<p>DRAWN: IRT</p>	<p>DATE: NOV 06</p>	<p>CAGE CODE: 06090</p>	<p>DCR # ECO-08-019355</p>	<p>FILE: 87008/A6-02-102</p>	<p>SCALE: NONE</p>
				<p>SHEET: 2 OF 3</p>	

Print Date: 6-Apr-17 If this document is printed it becomes uncontrolled. Check for the latest revision.

CUSTOMER DRAWING

REV:
BDATE:
Aug 21, 2008

REV PER ECO 17-004602 / 4-6-17 CT / EH

HEXA6 - A B - 00 - 02 - A9 - 102

- CONNECTOR CODE NUMBER _____
HEXA6 = ARINC 600 CONNECTOR
- MATERIAL CODE: _____
ALUMINIUM ALLOY
- PLATING CODE: _____
B = CADMIUM OLIVE DRAB TO SAE-AMS-QQ-P-416
C = ELECTROLESS NICKEL TO SAE-AMS-MIL-C-26074
- OUTLET STYLE _____
00 = STRAIGHT
- ORDER NUMBER _____
02 = SIZE 2 (CAVITIES A, B AND C)
- FERRULE QUANTITY CODE _____
- ASSEMBLY SPECIFIC ORDER NUMBER _____

APPLICATION

- This adaptor assembly is designed to be mounted on the following connectors:

ARINC 600 Plug, Shell Size 2

INSTALLATION

- See Installation Procedures RPIP-696-01 for basic assembly instructions.
- See Installation Procedures RPIP-696-00 for shield termination.


PACKAGING

- All assemblies are supplied boxed and labelled.

NOTES!

1. Assembly is to be permanently marked with Code Identity Number and Part Number.
(e.g. 06090 HEXA6-AB-00-02-A9-102)

↑ 2008 Tyco Electronics. All rights reserved.

 Tyco Electronics		Raychem Wire and Harnessing Products 300 Constitution Drive Menlo Park, CA 94025, USA		TITLE: HEXASHIELD ADAPTOR FOR ARINC 600 CONNECTOR – SIZE 2 – SHELL CAVITIES A, B AND C PLAIN/CABLE CLAMPING NUTS		
UNLESS OTHERWISE SPECIFIED DIMENSIONS ARE IN MILLIMETERS. INCH DIMENSIONS ARE SHOWN IN BRACKETS		Tyco Electronics reserves the right to amend this drawing at any time. Users should evaluate the suitability of the product for their application.		DOCUMENT NO. HEXA6-AY-00-02-AY-102		
DRAWN: IRT	DATE: NOV 06	CAGE CODE: 06090	DCR # ECO-08-019355	FILE: 87008/A6-02-102	SCALE: NONE	SHEET: 3 OF 3

Print Date: 6-Apr-17 If this document is printed it becomes uncontrolled. Check for the latest revision.