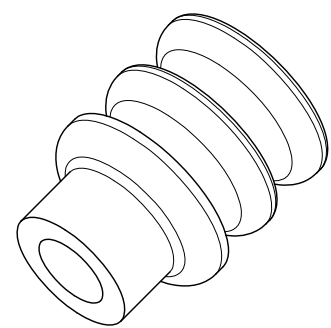
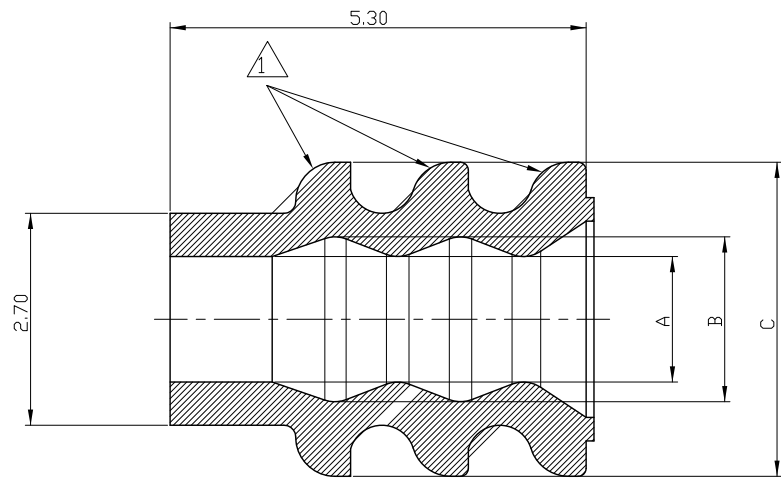
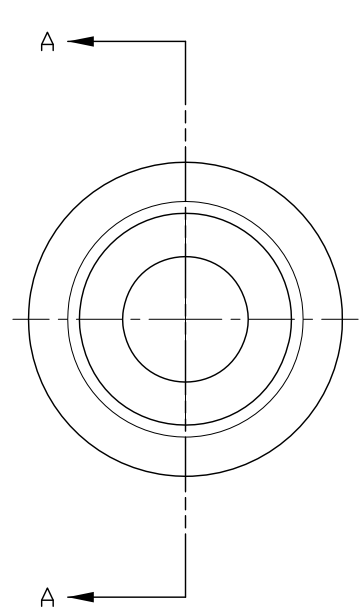


THIS DRAWING IS UNPUBLISHED. RELEASED FOR PUBLICATION 20  
 © COPYRIGHT 20 BY TYCO ELECTRONICS CORPORATION. ALL RIGHTS RESERVED.

LOC		DIST		REVISIONS			
P	LTR	DESCRIPTION		DATE	DWN	APVD	
	A	RELEASED		12.MAR.08	JH	JK	



ISOMETRIC VIEW



SECT A-A

NOTE:  
 1. SURFACE DEFECTS ARE NOT ACCEPTABLE AS FOLLOWS.  
 (BURRS, STAINS, SCORES)  
 2. MUST CONTAIN OIL 5%

20~22 AWG	1.6	2.1	3.6	2005877-2	GRAY	45°±5°
22~26 AWG	1.0	1.9	4.0	2005877-1	BLUE	45°±5°
WIRE RANGE	DIM A	DIM B	DIM C	P/N	COLOR	HARDNESS

THIS DRAWING IS A CONTROLLED DOCUMENT FOR TYCO ELECTRONICS CORPORATION  
 IT IS SUBJECT TO CHANGE AND THE CONTROLLING ENGINEERING ORGANIZATION  
 SHOULD BE CONTACTED FOR THE LATEST REVISION.

DIMENSIONS: MM	TOLERANCES UNLESS OTHERWISE SPECIFIED:
	0 PLC ± 1 PLC ± 2 PLC ± ±0.25 3 PLC ± 4 PLC ± ANGLES ±
MATERIAL SILICONE	FINISH -

DWN JH GONG	TE Connectivity <b>WIRE SEAL FOR MINI MTDL</b>				
CHK BW KANG					
APVD JK SONG					
PRODUCT SPEC 108-61101					
APPLICATION SPEC 114-16017	NAME	SIZE	CAGE CODE	DRAWING NO	RESTRICTED TO
WEIGHT -	A3	00779	C-2005877		-
CUSTOMER DRAWING	SCALE N/S	SHEET 1	OF 1	REV A	