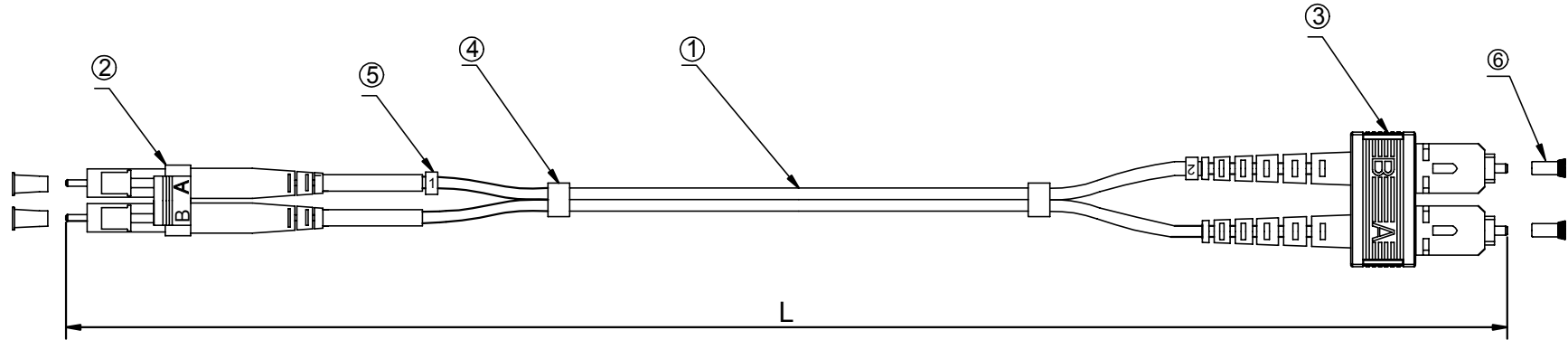


RoHS
Compliant

VERSION	DESCRIPTION	DATE
1.0	New Release	2018/4/12



PART NO	DRAWING NO	CABLE LENGTH "L"	COLOR
912S-2-5-00100	671-460-A	1000±100	Yellow
912S-2-5-00200	671-460-B	2000±100	Yellow
912S-2-5-00300	671-460-C	3000±100	Yellow
912S-2-5-00500	671-460-D	5000±100	Yellow
912S-2-5-00700	671-460-E	7000±100	Yellow
912S-2-5-01000	671-460-F	10000±100	Yellow
912S-2-5-01500	671-460-G	15000±100	Yellow
912S-2-5-02000	671-460-H	20000±100	Yellow
912S-2-5-02500	671-460-I	25000±100	Yellow

NOTES:

Insertion loss < 0.3 dB
Return loss > 50 dB

6	Dust Cover
5	$\frac{1}{2}$ Code
4	Shrinkage Tube
3	SC SM Duplex Connector (Blue housing Blue boot)
2	LC SM Duplex Connector (Blue housing White boot)
1	2.0mm,Duplex,SM-9/125 G652D, PVC, Optical Fiber Cable(Yellow)
No.	Description

CnC Tech, LLC Industrial Cable and Connector Technology					
		TITLE		Patch Cord, LC-SC,SM-9/125 G652D, Duplex, PVC, yellow, 2.0mm, xxm	
		P/N		DRAWN BY	
		Customer P/N		CHECK BY	
		SIZE	SCALE	PAGE	APPROVAL BY
		A4	Free	1/1	

UNIT mm
unless otherwise stated
Tolerances
mm
XXX.XX ±0.3
XX.XX ±0.2
X.XX ±0.1