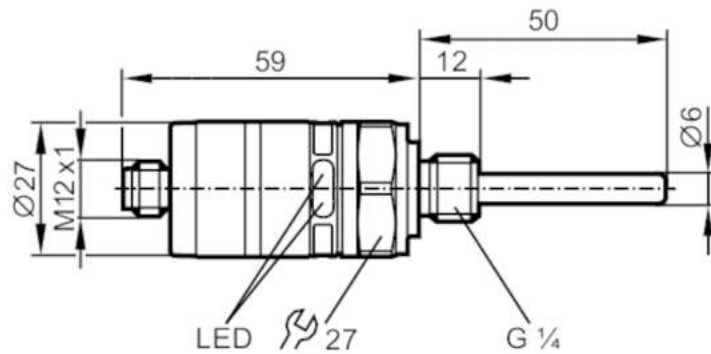


TK6110



Temperature switch with intuitive switch point setting

TK-050CLFR14-QKPKG / US



Product characteristics	
Number of inputs and outputs	Number of digital outputs: 2
Measuring range	-20...140 °C -4...284 °F
Process connection	threaded connection G 1/4
Installation length EL [mm]	50
Application	
Special feature	Gold-plated contacts
Measuring element	1 x Pt 1000; (to DIN EN 60751, class A)
Media	liquids and gases
Medium temperature [°C]	-40...145
Pressure rating [bar]	400
Electrical data	
Operating voltage [V]	9.6...32 DC; ("supply class 2" to cULus)
Current consumption [mA]	< 30
Protection class	III
Reverse polarity protection	yes
Power-on delay time [s]	0.5
Inputs / outputs	
Number of inputs and outputs	Number of digital outputs: 2
Outputs	
Total number of outputs	2
Output signal	switching signal
Electrical design	PNP
Number of digital outputs	2
Output function	complementary
Max. voltage drop switching output DC [V]	2
Permanent current rating of switching output DC [mA]	500
Short-circuit protection	yes

TK6110



Temperature switch with intuitive switch point setting

TK-050CLFR14-QKPKG / US

Type of short-circuit protection	pulsed
Overload protection	yes

Measuring/setting range		
Measuring range	-20...140 °C	-4...284 °F
Set point SP	-16...140 °C	3...284 °F
Reset point rP	-20...136 °C	-4...277 °F

Accuracy / deviations		
Temperature drift per 10 K	[K]	0.1 **)
Repeatability	[K]	± 0,1
Setting accuracy	[K]	± 3

Response times		
Dynamic response T05 / T09	[s]	1 / 3; (to DIN EN 60751)

Software / programming	
Adjustment of the switch point	setting rings

Operating conditions		
Ambient temperature	[°C]	-40...80
Note on ambient temperature		at medium temperature: < 80 °C -40...50 °C at medium temperature: < 145 °C
Storage temperature	[°C]	-40...100
Protection		IP 67

Tests / approvals		
EMC	DIN EN 61000-4-2 ESD	4 kV CD / 8 kV AD
	EN 61000-4-3 HF radiated	10 V/m
	DIN EN 61000-4-4 Burst	2 kV
	EN 61000-4-6 HF conducted	10 V
Shock resistance	DIN IEC 68-2-27	50 g (11 ms)
Vibration resistance	DIN EN 60068-2-6	20 g (10...2000 Hz)
MTTF	[years]	643.1
UL approval	UL Approval no.	K018

Mechanical data		
Weight	[g]	104.5
Materials		stainless steel (1.4404 / 316L); PC; PBT; FKM
Materials (wetted parts)		stainless steel (1.4404 / 316L); FKM
Tightening torque	[Nm]	35
Process connection		threaded connection G 1/4
Probe diameter	[mm]	6
Installation length EL	[mm]	50

Displays / operating elements		
Display	operation	LED, green
	switching status	LED, yellow

TK6110



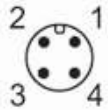
Temperature switch with intuitive switch point setting

TK-050CLFR14-QKPKG / US

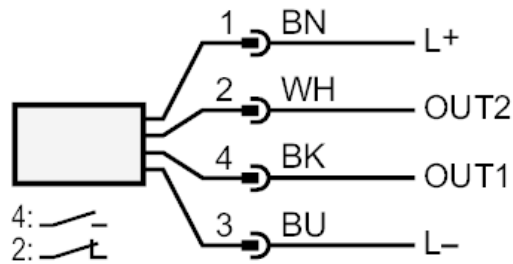
Remarks	
Remarks	**) in case of deviation from the reference condition 25 °C The values for accuracy apply to flowing water.
Pack quantity	1 pcs.

Electrical connection

Connector: 1 x M12; coding: A; Contacts: gold-plated



Connection



colours to DIN EN 60947-5-2
Core colours :
BK = black
BN = brown
BU = blue
WH = white