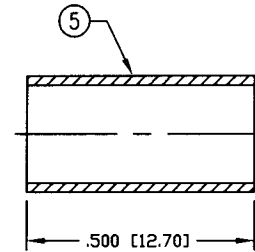
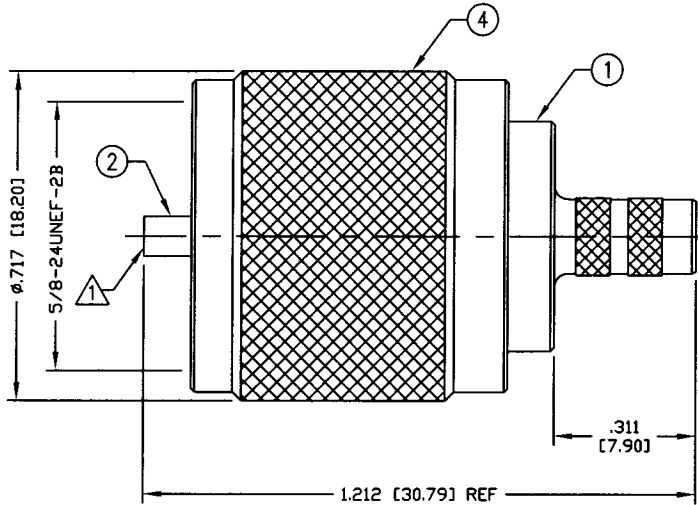


THIS DRAWING CONTAINS INFORMATION PROPRIETARY TO RF INDUSTRIES.
 ANY UNAUTHORIZED USE OF THIS DRAWING IS EXPRESSLY PROHIBITED
 WITHOUT WRITTEN PERMISSION FROM RF INDUSTRIES.
 ANY VIOLATION IS PUNISHABLE UNDER U.S. COPYRIGHT LAWS.

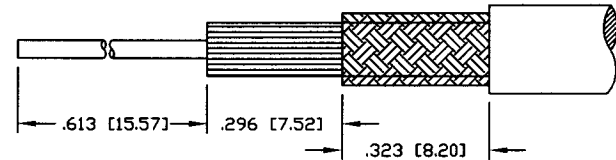
ALL DIMENSIONS ARE REFERENCE ONLY

PART NO.		RFU-505-C1		
REV	DESCRIPTION	DWN	DATE	APPROVED
A	ENGINEERING RELEASE	KMM	3/6/99	R. RICE
B	CHANGE FER STUD TO KNURL / CHG. OVERALL & FERRULE DIMS	CZS	6/2/04	JDMc



RECOMMENDED CRIMP DIE: .213"

CRIMP CONTACT WITH .068" CRIMP DIE.



RECOMMENDED STRIPPING INSTRUCTIONS

SPECIFICATIONS:

IMPEDANCE: NON CONSTANT
 FREQUENCY RANGE: 0-300 MHz
 WORKING VOLTAGE: 500 V rms max. @ sea level
 FOR RG-55, 55A, 55B, 142, 142A, 142B, 223 & 400/U,
 ALPHA 9055, 9055B, 9223, BELDEN 8219, 83242, 84142

1	BODY	1	BRASS	NICKEL, 80 μ"
2	CONTACT	1	BRASS	SILVER, 5 μ"
3	INSULATOR	1	DAP	---
4	SHELL	1	BRASS	NICKEL, 80 μ"
5	FERRULE	1	BRASS	NICKEL, 80 μ"
6				
7				
8				
9				
10				
11				
12				
13				
14				

000486	UNLESS OTHERWISE SPECIFIED:
DRAWN C. ZUNIGA	6/2/04
CHECKED <i>[Signature]</i>	6/2/04
ORJ DRAWN K. MAXWELL	3/6/99

DIMENSIONS ARE IN INCHES AND [MILLIMETERS]
 UNLESS OTHERWISE NOTED TOLERANCES ARE:
 DECIMALS DIAMETER

RF connectors
 DIVISION OF RF INDUSTRIES, LTD.

7610 MIRAMAR RD
 SAN DIEGO, CA 92126
 (858) 549-6340
 (858) 549-6345 FAX

UHF PLUG, CRIMP

SIZE	CABLE GROUP	DWG NO.	REV
A	C1	RFU-505-C1	B
SCALE:	NTS	CAD FILE	OUTLINE
SHEET			1 OF 1