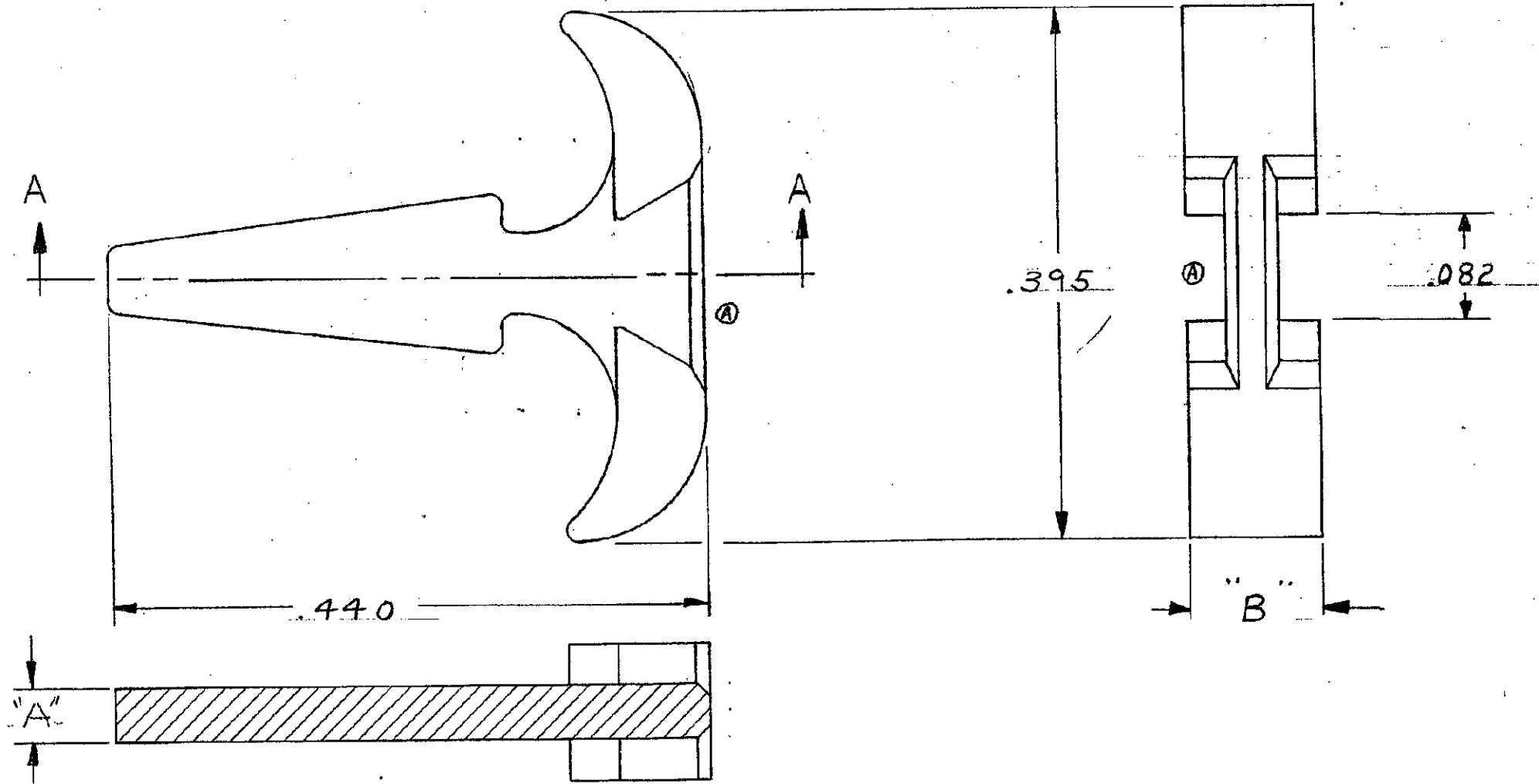


DRAWING MADE IN AMERICAN PROJECTION

© 1972 BY AMP INCORPORATED. ALL RIGHTS RESERVED. AMP PRODUCTS COVERED BY PATENTS AND/OR PATENTS PENDING.

REVISIONS				
ZONE	LTR	DESCRIPTION	DATE	APPROVED
	O	RELEASED CPM 5193-240 m.s.	1-15-73	D.H.
	A	REVISED 3740 m.s.	2-27-73	M.Z.
	A	ADDED B DIM. 3805 m.s.	5-11-73	M.Z.
	B	REV PER AD 4393	3/90	RB
	C	REV PER EC 0320-209-97	7-1-97	NS



SECTION A-A

PART NO.	"A"	"B"
530030-1	.045	.112
530030-2	.030	.097

OBSOLETE

UNLESS OTHERWISE SPECIFIED DIMENSIONS ARE IN INCHES TOLERANCES ON: DECIMALS ± .008 ANGLES ±	CONTRACT NO.	AMP INCORPORATED HARRISBURG, PENNSYLVANIA	
	DR. <i>M. Smith</i> 12-29-72	NAME KEYING PLUG	
MATERIAL GLASS FILLED NYLON COLOR-BLACK	CHK. <i>J.S. Weide</i> 1/16/73	TWIN LEAF CONNECTOR	
APPD. <i>James Brown</i> 1/24/73	REL. <i>R. G. Trumbo</i> 1/25/73	SIZE B	CODE IDENT NO. 00779
DSGN APPD.	OTHER APPD.	NUMBER 530030	SHEET 1 OF 1
SCALE		CUSTOMER DRAWING	