



American Opto Plus LED L314ED

3mm Dia LED LAMP – Red Diffused

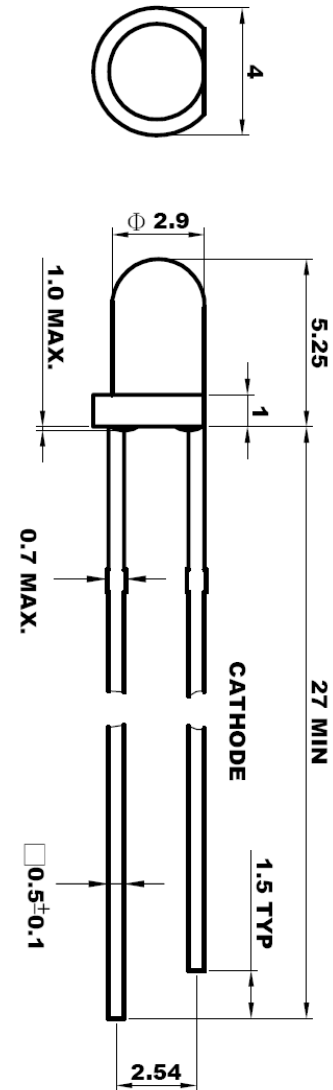
- ◆ 3.0mm DIA LED LAMP
- ◆ I.C. COMPATIBLE
- ◆ LOW POWER CONSUMPTION
- ◆ LONG LAMP LIFE

DESCRIPTION

- Round type
- T1 (3mm) diameter
- Lens color: Red Diffused
- With flange
- Solder leads with stand-off

FEATURES

- Emitted color: Red
- Technology: GaAsP
- Viewing angle: 60°
- Peak wavelength $\lambda_p = 630\text{nm}$



SELECTION GUIDE

Chip Material	Chip Emitted	Lens Color	Viewing Angle
GaAsP	Red	Red Diffused	60°



American Opto Plus LED L314ED

3mm Dia LED LAMP – Red Diffused

- ◆ 3.0mm DIA LED LAMP
- ◆ I.C. COMPATIBLE
- ◆ LOW POWER CONSUMPTION
- ◆ LONG LAMP LIFE

ABSOLUTE MAXIMUM RATINGS

(Ta=25°C)

Parameter	Symbol	Max Rating	Unit
Power Dissipation	P_D	75	mW
Peak Forward Current (1/10 Duty Cycle @1KHz)	I_{PF}	100	mA
Forward Current	I_F	30	mA
Reverse Voltage	V_R	5.0	V
Operating Temperature Range	T_{OPR}	-40~+85	°C
Storage Temperature Range	T_{STG}	-40~+85	°C

Solder temperature 2 mm from body for 3 seconds at 260°C

OPTICAL-ELECTRICAL CHARACTERISTICS

Parameter	Symbol	Test Condition	Min	Typ	Max	Unit
Luminous Intensity	I_V	$I_F = 10\text{mA}$	5	10		mcd
Forward Voltage	V_F	$I_F = 10\text{mA}$		1.85	2.5	V
Reverse Current	I_R	$V_R = 5\text{V}$			10	uA
Viewing Angle	2θ1/2	$I_F = 10\text{mA}$		60		deg.
Peak Wavelength	λ_P	$I_F = 10\text{mA}$		630		nm
Dominant Wavelength	λ_D	$I_F = 10\text{mA}$		620		nm
Spectrum Radiation Bandwidth	$\Delta\lambda$	$I_F = 10\text{mA}$		45		nm

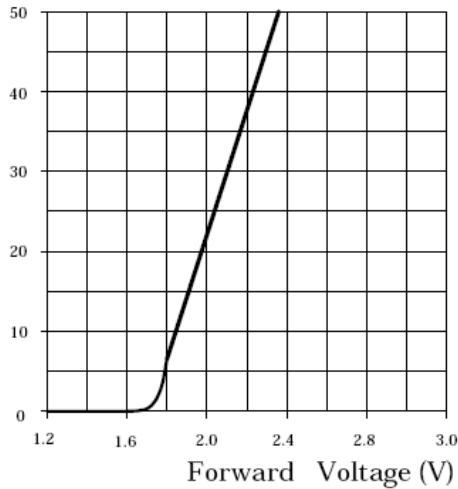


American Opto Plus LED L314ED

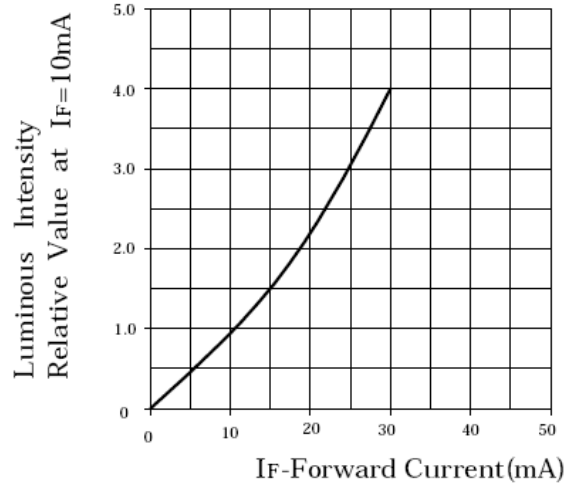
3mm Dia LED LAMP – Red Diffused

- ◆ 3.0mm DIA LED LAMP
- ◆ I.C. COMPATIBLE
- ◆ LOW POWER CONSUMPTION
- ◆ LONG LAMP LIFE

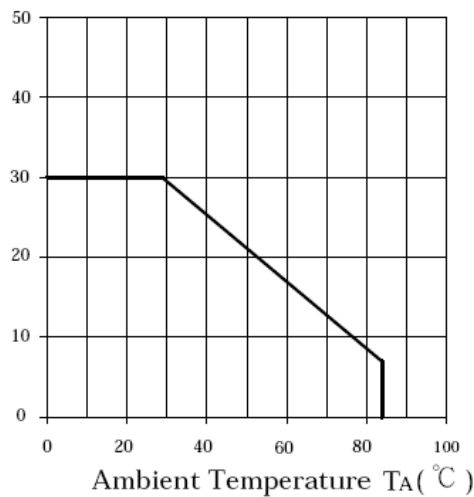
TYPICAL ELECTRO-OPTICAL CHARACTERISTIC CURVES



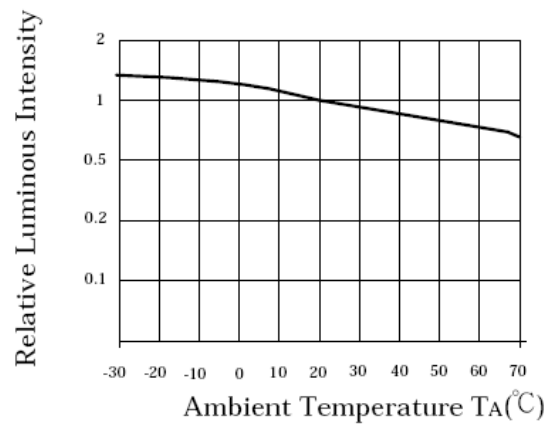
Forward Current Vs.
Forward Voltage



Luminous Intensity Vs.
Forward Current



Forward Current
Derating Curve



Luminous Intensity Vs.
Ambient Temperature