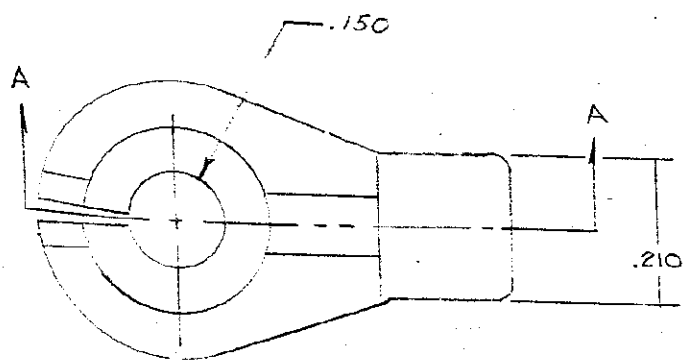
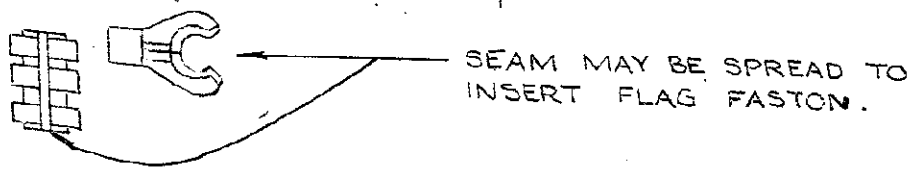
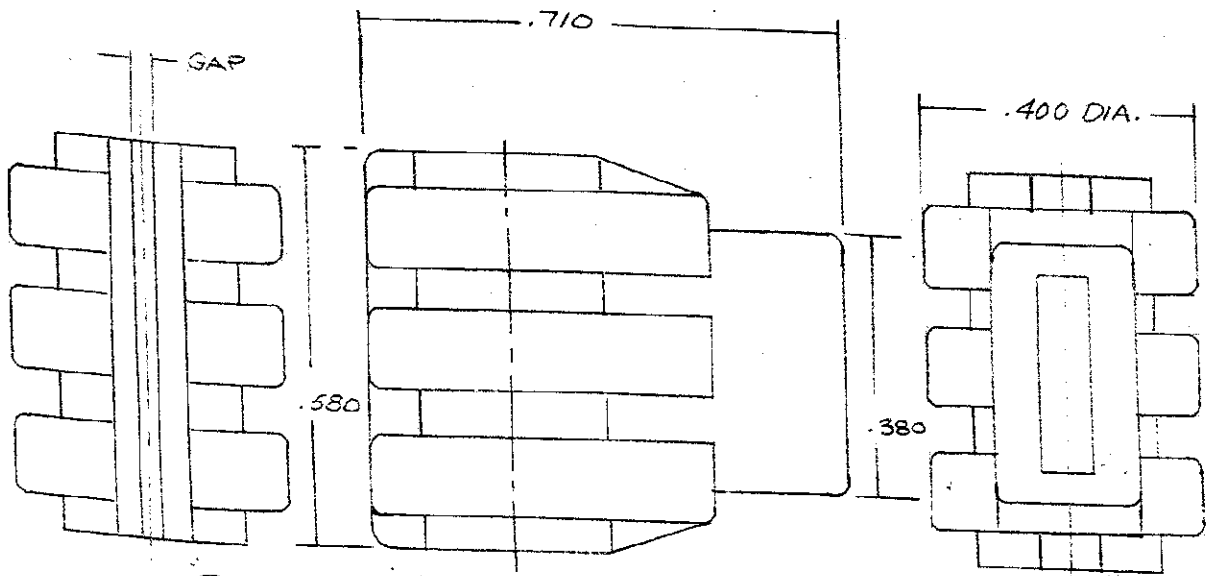
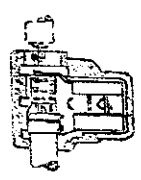


NUMBER 480019



HOUSING NO.	COLOR
480019-6	BLUE



SEC-A-A ACTUAL SIZE

CUSTOMER DRAWING

MATERIAL				SEMI-RIGID VINYL		FINISH		©1931 BY AMP INCORPORATED. ALL RIGHTS RESERVED. AMP PRODUCTS COVERED BY PATENTS AND/OR PATENTS PENDING.	
WIRE SIZE				INSULATION DIA		SCALE		LOC NO	
TOLERANCE EXCEPT AS NOTED				SCALE		LOC		NO	
NAME				INSULATING BOOT FOR FLAG FASTON		AFA		480019	
G REVISED		A 1180		DATE		ECA		DR	
F REVISION RECORD		DATE		CHK		DATE		APP	
DR		DATE		ECA		DR		DATE	
CHK		DATE		ECA		DR		DATE	

DIMENSIONS IN INCHES. DO NOT SCALE PRINT