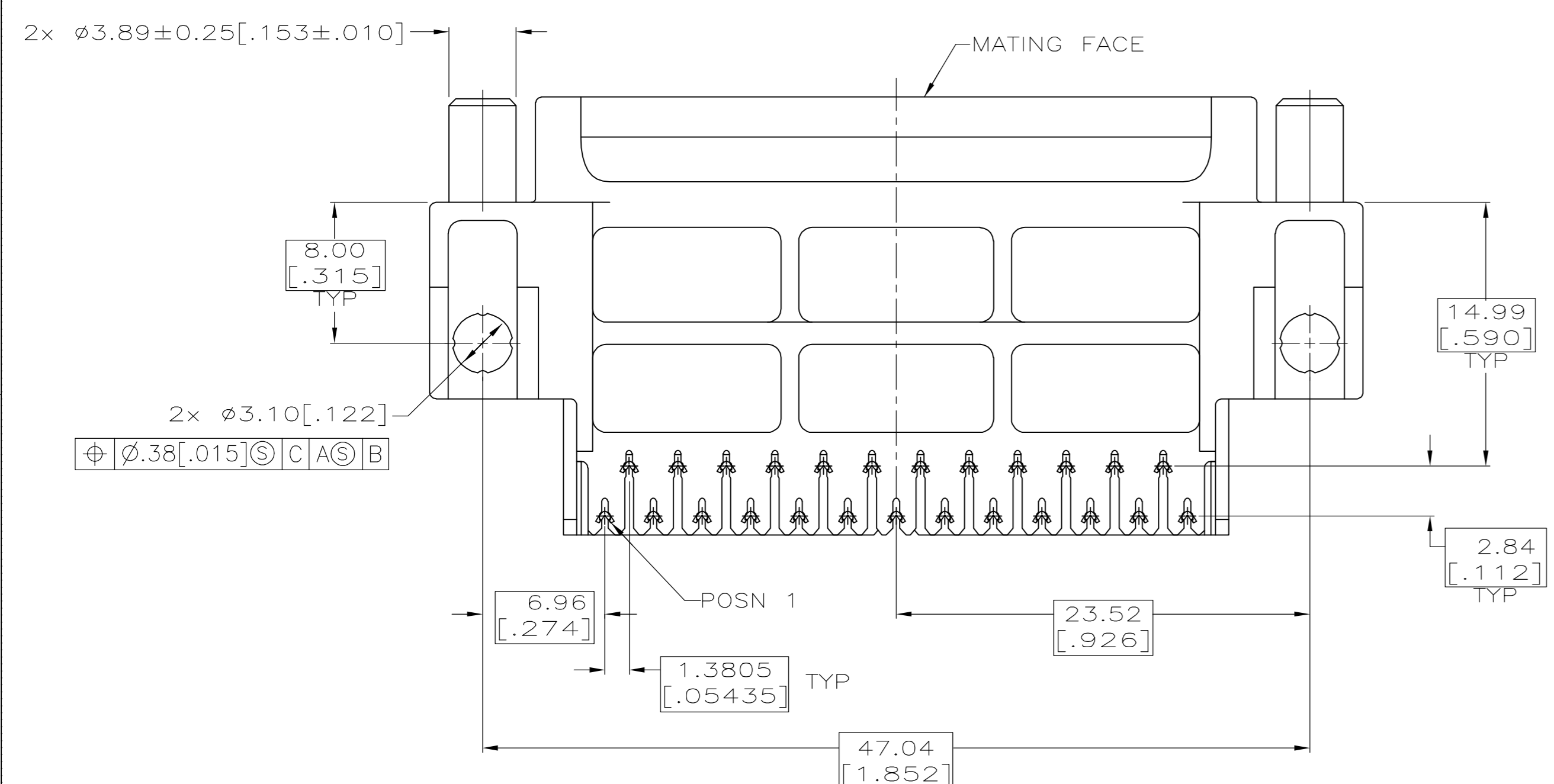


- ⚠ POSITION TOLERANCE APPLIES AT TIP ONLY.
- ⚠ HOUSING: FLAME RETARDENT UL94V-0 RATED, GLASS FILLED NYLON OR POLYESTER, COLOR BLACK.
- CONTACTS: BRASS.
- SCREWLOCKS: ZINC.
- ⚠ CONTACTS: GOLD PLATED FOR A LENGTH OF 3.81 [.150] MIN FROM MATING END, 0.76 μm [.000030] MIN GOLD IN MATED AREA, 2.54 μm [.0001] MIN TIN FOR A LENGTH OF 3.68 [.145] MIN FROM OPPOSITE END, BOTH OVER 1.27 μm [.000050] MIN NICKEL.
- SCREWLOCKS: CLEAR CHROMATE COATING.



5748953-1  
PART NO

**COPYRIGHT 2005  
 TYCO ELECTRONICS CORP  
 ALL RIGHTS RESERVED**

THIS DRAWING IS A CONTROLLED DOCUMENT.		DWN: S. PETERS 22SEP05	Tyco Electronics Corporation Harrisburg, PA 17105-3608
DIMENSIONS: INCHES		CHK: S. BOLASH 22SEP05	
TOLERANCES UNLESS OTHERWISE SPECIFIED:		APVD: M. WALMSLEY 22SEP05	NAME: M. WALMSLEY
0 PLC ± -	1 PLC ± -	2 PLC ± 0.13 [005]	PRODUCT SPEC: 108-1226
3 PLC ± -	4 PLC ± -	ANGLES ± ±	APPLICATION SPEC: 114-40027
MATERIAL	FINISH	WEIGHT	SIZE: A1
			CAGE CODE: 00779
			DRAWING NO: 5748953
			RESTRICTED TO: -
			CUSTOMER DRAWING
			SCALE: 4:1
			SHEET: 1 OF 1
			REV: 0