



General Specifications

Motor Protection:

Auto Restart/Polarity Protection

Insulation Resistance: 10M Ω or over with a DC500V Megger

Dielectric Withstand Voltage: AC 700V 1s

Allowable Ambient Temperature Range:

-10°C ~ +60°C (Operating)

-40°C ~ +70°C (Storage)

(non-condensing environment)

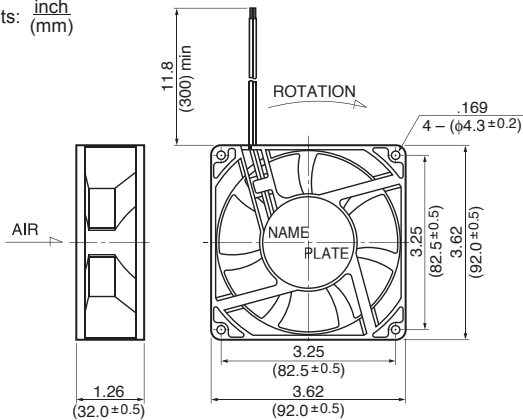
Expected Life

Failure Rate: 10%

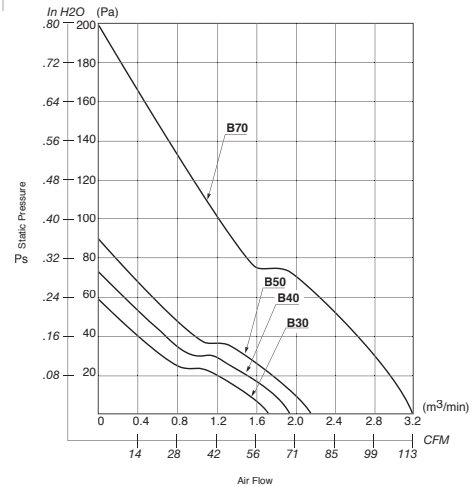
25°C 100,000 Hours (B00, E00)

Outline

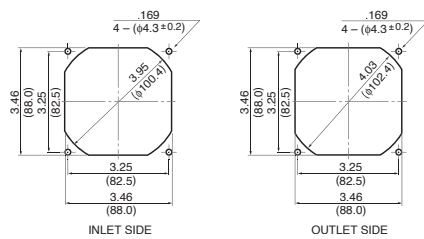
Units: $\frac{\text{inch}}{\text{(mm)}}$



Characteristic Curves



Panel Cut-outs



Material

Casing : Plastic (Black) 94V-0

Impeller : Plastic (Black) 94V-0

Bearing : Ball Bearing

Lead Wire : UL1007, AWG24, +Red, -Black

Specifications

| MODEL | Product No. | Rated Voltage | Operating Voltage | Current | Input Power | Speed | Max. Air Flow | | Max. Static Pressure | | Noise | Mass |
|----------------|-------------|---------------|-------------------|------------------|------------------|-----------------------------------|------------------|------------------------------------|----------------------|-------------------|-------------------|------|
| | | (V) | (V) | (A) ¹ | (W) ¹ | (min ⁻¹) ¹ | CFM ¹ | (m ³ /min) ¹ | in H ₂ O | (Pa) ¹ | (dB) ¹ | (g) |
| 3612KL-04W-B30 | X00 | 12 | 6.0 ~ 13.8 | 0.21 | 2.52 | 2600 | 47.3 | 1.34 | .16 | 41.0 | 34.0 | 230 |
| 3612KL-04W-B40 | X00 | 12 | 6.0 ~ 13.8 | 0.31 | 3.72 | 3200 | 58.6 | 1.66 | .24 | 61.0 | 38.0 | 230 |
| 3612KL-04W-B50 | X00 | 12 | 6.0 ~ 13.8 | 0.47 | 5.64 | 3800 | 69.9 | 1.98 | .33 | 83.0 | 43.5 | 230 |
| 3612KL-04W-B60 | X00 | 12 | 10.5 ~ 13.2 | 0.48 | 5.76 | 4000 | 70.5 | 2.00 | .38 | 96.0 | 44.0 | 230 |
| 3612KL-05W-B30 | X00 | 24 | 15.0 ~ 27.6 | 0.10 | 2.40 | 2600 | 47.3 | 1.34 | .16 | 41.0 | 34.0 | 230 |
| 3612KL-05W-B40 | X00 | 24 | 15.0 ~ 27.6 | 0.16 | 3.84 | 3200 | 58.6 | 1.66 | .24 | 61.0 | 38.0 | 230 |
| 3612KL-05W-B50 | X00 | 24 | 15.0 ~ 27.6 | 0.25 | 6.00 | 3800 | 69.9 | 1.98 | .33 | 83.0 | 43.5 | 230 |
| 3612KL-05W-B60 | X00 | 24 | 10.0 ~ 27.6 | 0.23 | 5.52 | 3800 | 47.3 | 1.98 | .33 | 83.0 | 43.5 | 230 |