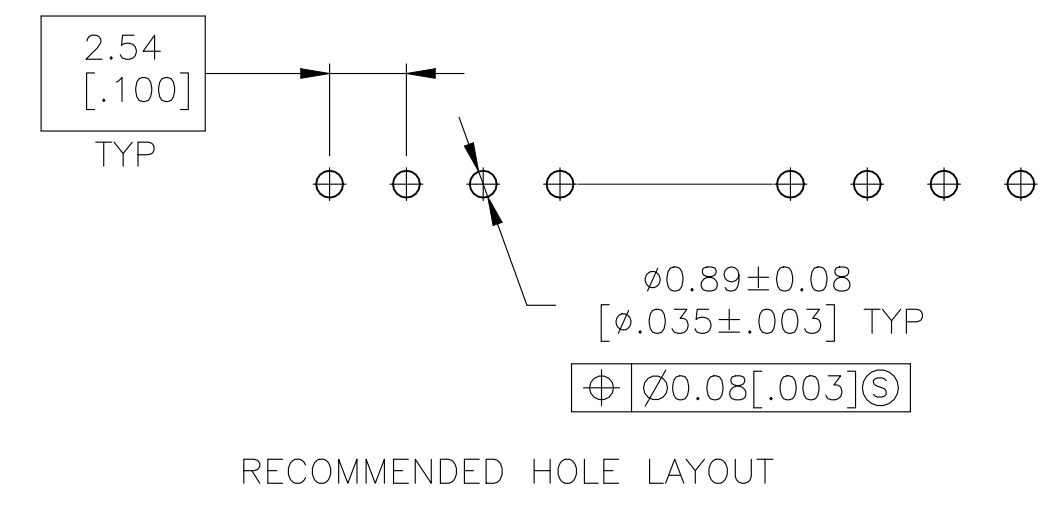
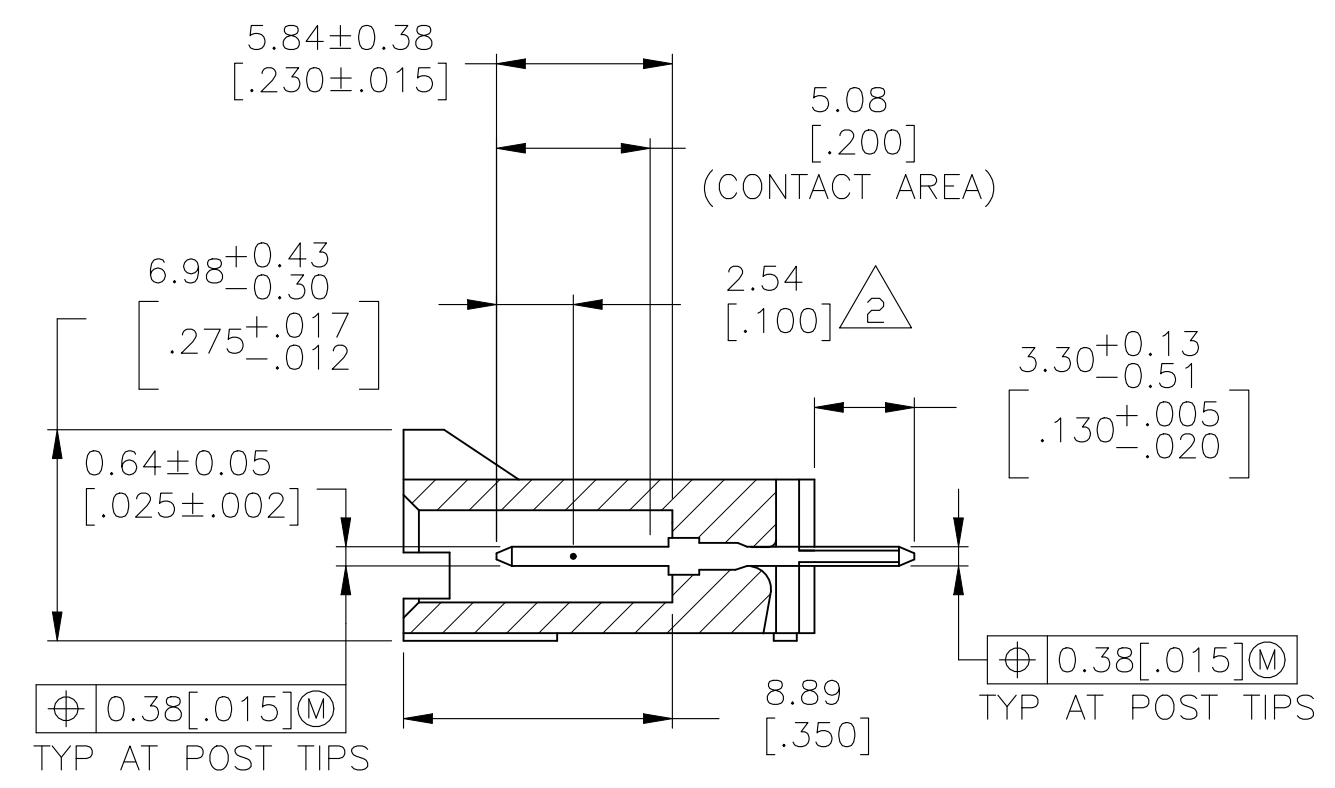
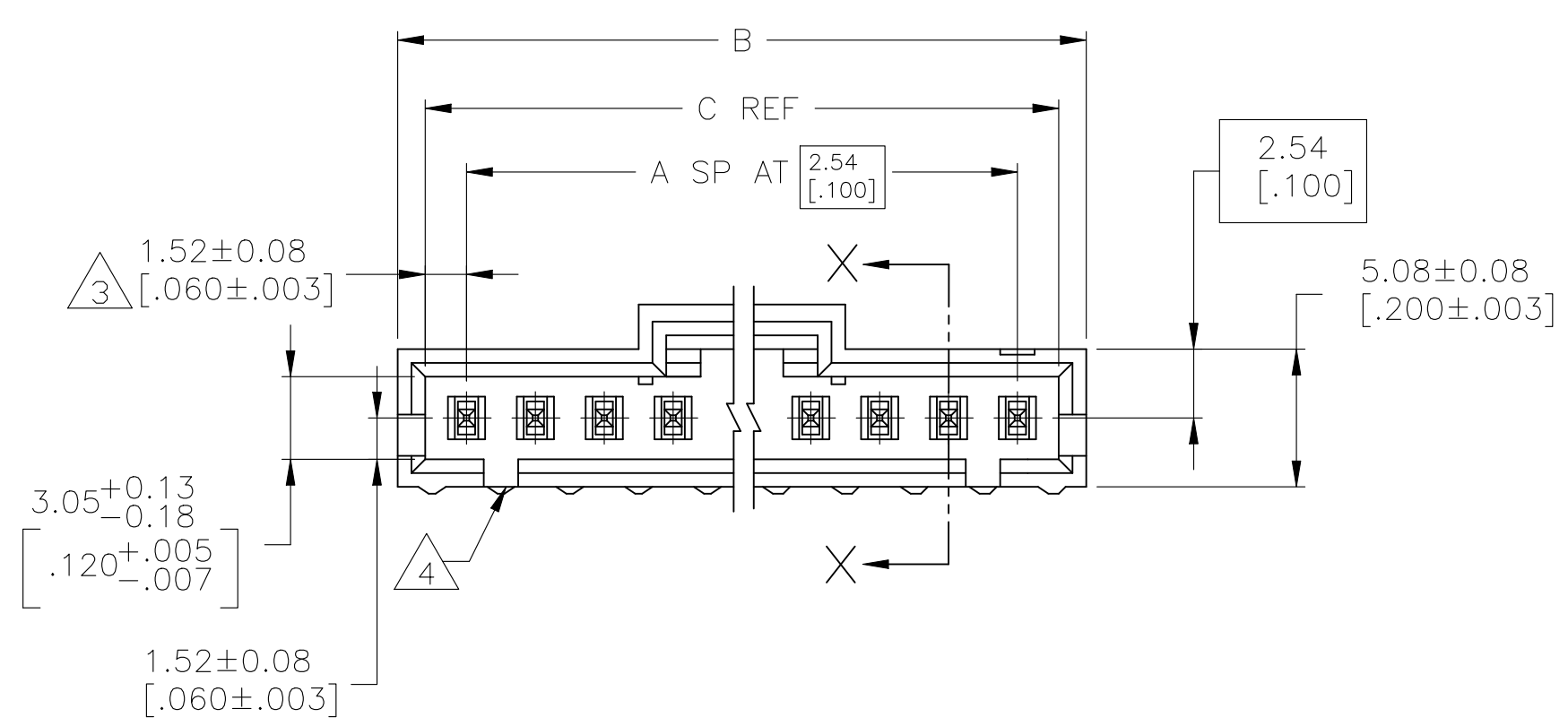
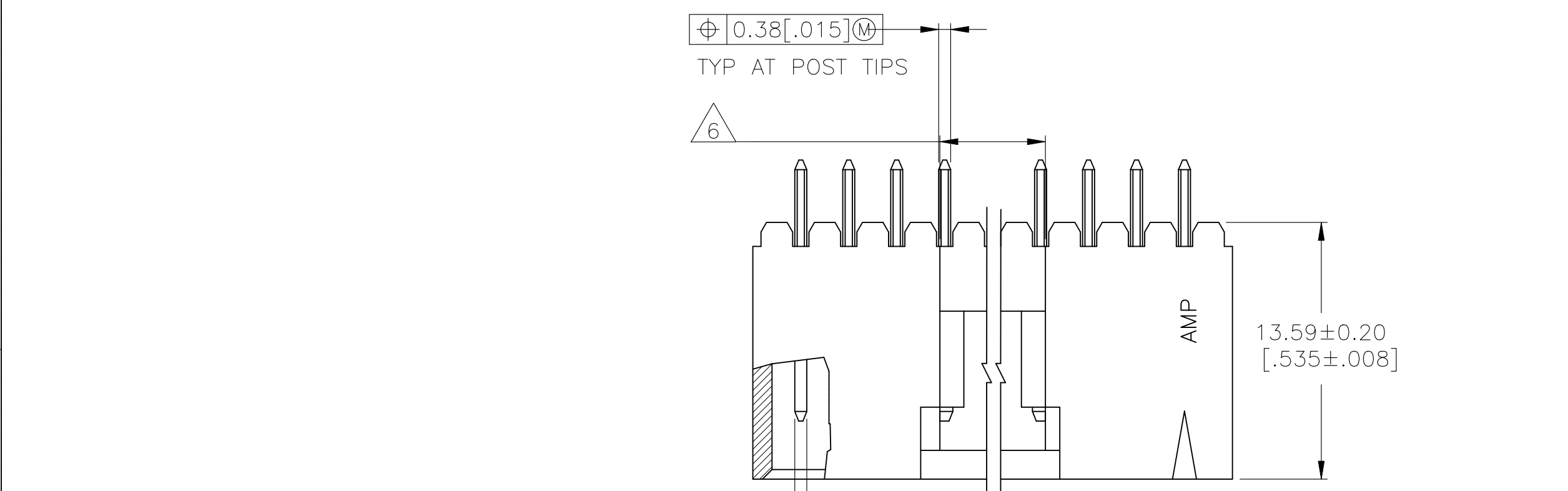


REVISIONS					
REV	DATE	DESCRIPTION	BY	CHK	APPV
U1	29SEP2022	REVISED PER ECN-22-177079	RK	MF	



- 1 .00038[.00015] GOLD IN THE CONTACT AREA, .00254[.00100] MATTE TIN-LEAD ON REMAINDER OF CONTACT, ALL OVER .00127[.00050] NICKEL.
- 2 POINT OF MEASUREMENT FOR PLATING THICKNESS.
- 3 THE NOTED DIMENSIONS APPLY AT THE INTERSECTION OF THE POST AND THE HOUSING.
- 4 ON ASSEMBLIES WITH FOUR OR MORE POSITIONS, TWO POLARIZATION SLOTS. ON ASSEMBLIES WITH TWO OR THREE POSITIONS, ONE POLARIZATION SLOT.
- 5 OBSOLETE PARTS: OBSOLETE CIS STREAMLINING PER D.RENAUD/D.SINISI
- 6 0.25 [.010] RECESS PERMISSIBLE IN THIS AREA FOR MOLD SHUT OFF

5	SUPERCEDED BY 7-104910-4	64.01 [2.520]	65.91 [2.595]	24	25	2-103638-4
5	SUPERCEDED BY 7-104910-3	61.47 [2.420]	63.37 [2.495]	23	24	2-103638-3
5	SUPERCEDED BY 7-104910-2	58.93 [2.320]	60.83 [2.395]	22	23	2-103638-2
		56.39 [2.220]	58.29 [2.295]	21	22	2-103638-1
5	SUPERCEDED BY 7-104910-0	53.85 [2.120]	55.75 [2.195]	20	21	2-103638-0
		51.31 [2.020]	53.21 [2.095]	19	20	1-103638-9
5	SUPERCEDED BY 6-104910-8	48.77 [1.920]	50.67 [1.995]	18	19	1-103638-8
		46.23 [1.820]	48.13 [1.895]	17	18	1-103638-7
		43.69 [1.720]	45.59 [1.795]	16	17	1-103638-6
		41.15 [1.620]	43.05 [1.695]	15	16	1-103638-5
		38.61 [1.520]	40.51 [1.595]	14	15	1-103638-4
		36.07 [1.420]	37.97 [1.495]	13	14	1-103638-3
		33.53 [1.320]	35.43 [1.395]	12	13	1-103638-2
		30.99 [1.220]	32.89 [1.295]	11	12	1-103638-1
		28.45 [1.120]	30.35 [1.195]	10	11	1-103638-0
		25.91 [1.020]	27.81 [1.095]	9	10	103638-9
		23.37 [0.920]	25.27 [0.995]	8	9	103638-8
		20.83 [0.820]	22.73 [0.895]	7	8	103638-7
		18.29 [0.720]	20.19 [0.795]	6	7	103638-6
		15.75 [0.620]	17.65 [0.695]	5	6	103638-5
		13.21 [0.520]	15.11 [0.595]	4	5	103638-4
		10.67 [0.420]	12.57 [0.495]	3	4	103638-3
		8.13 [0.320]	10.03 [0.395]	2	3	103638-2
		5.59 [0.220]	7.49 [0.295]	1	2	103638-1
		C	B	A	NO. OF POSN	PART NO.

THIS DRAWING IS A CONTROLLED DOCUMENT.

DIMENSIONS: mm [INCHES] TOLERANCES UNLESS OTHERWISE SPECIFIED: 0. PLC ± - 1. PLC ± - 2. PLC ± 0.13[.005] 3. PLC ± - 4. PLC ± - ANGLES ± -	FINISH △	DIN S. SHUEY 3-5-91 CHK J. GESFORD 3-5-91 APVD J. GESFORD 3-5-91	NAME HDR ASSY, VERT, SINGLE ROW 2.54[.100] CL, 0.64[.025] SQ POST. WITHHOLDING, & AMP MODU MTE
MATERIAL: HOUSING: FLAME RETARDANT SPC COLOR: BLACK CONTACTS: BRASS	WEIGHT: - CUSTOMER DRAWING	SIZE: A1 CAGE CODE: 00779 DRAWING NO: 103638	RESTRICTED TO: - SCALE: 4:1 SHEET: 1 OF 1 REV: U1