

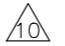

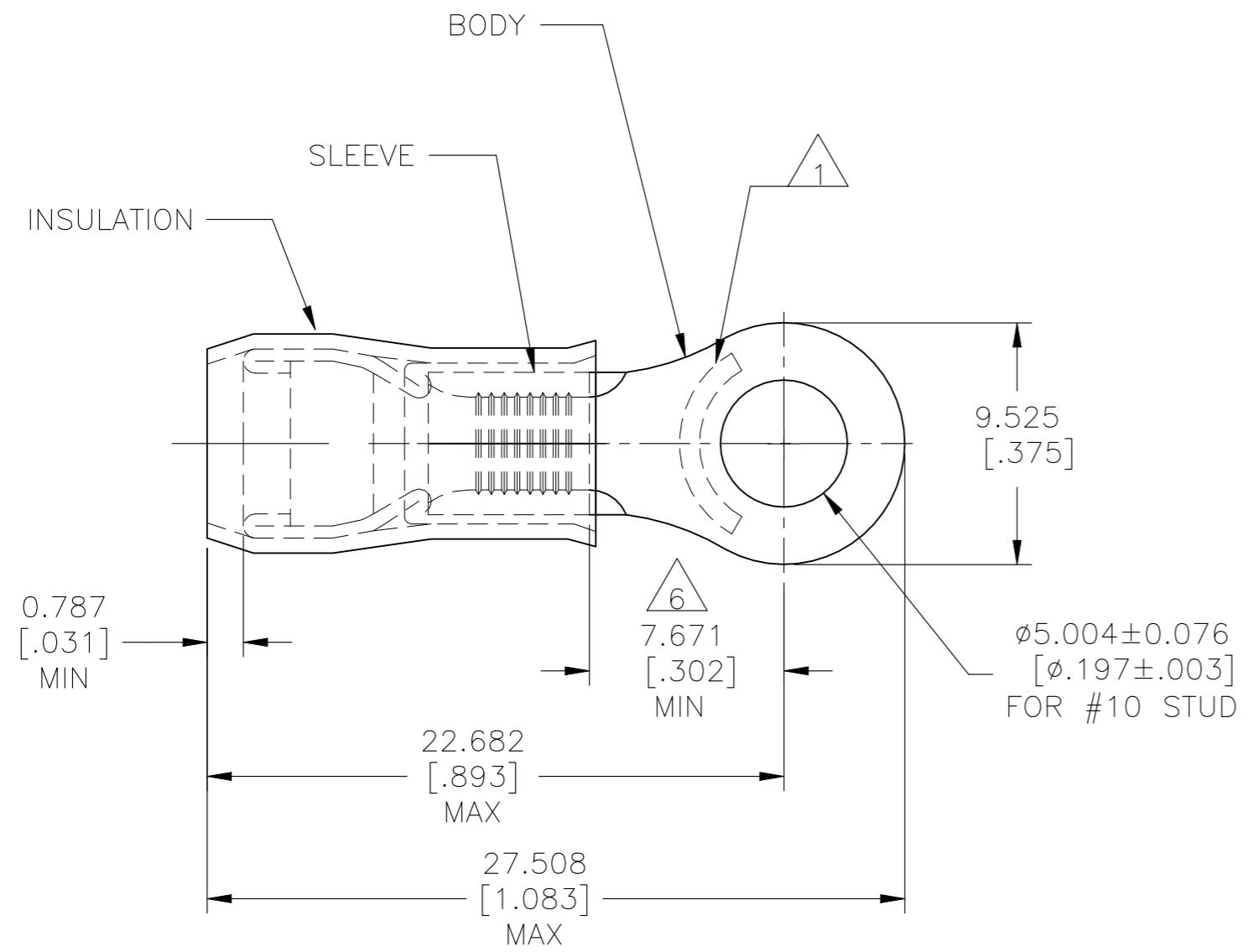
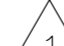








© - TE Connectivity. All Rights Reserved.

REVISIONS				
P	LTR	DESCRIPTION	DATE	APVD
	S6	REVISED PER ECN-22-156403	03JUN2022	RK CSD

<b>AMP</b> WIRE RANGE	  E13288 Listed
12-10 AWG SOLID OR STRANDED	12-10 AWG SOLID OR STRANDED
  LR7189 Certified	
12-10 AWG SOLID OR STRANDED	






-  STAMP "AMP 12-10\*" APPROX AS SHOWN.
- 2 WIRE INSULATION: ø3.810-6.350[ø.150-.250].
- 3 BODY MATERIAL THK: 0.991±0.051[.039±.002].
-  BODY & SLEEVE: TIN PLATE 0.00254[.000100] MIN EXT THK PER ASTM B545.
-  BODY & SLEEVE- CU PER ASTM B152 INSULATION - NYLON PER ASTM D4066 COLOR - YELLOW.
-  APPLIES FROM EDGE OF METAL WIRE BARREL TO CENTER OF STUD HOLE.
-  MEETS MS25036-112, CLASS 1.
- 8 NOTE DELETED


 	100	LOOSE PIECE, BOX	8-35109-1
	2500	ON TAPE & REEL	2-35109-1
	500	LOOSE PIECE	 35109
	QTY	PACKAGE TYPE	PART NO

AMP INCORPORATED  
CUSTOMER SERVICE SYSTEMS

FOR ADDITIONAL PRODUCT INFORMATION OR COPIES OF DRAWINGS AND TECHNICAL DOCUMENTS	PRODUCT INFORMATION CENTER 1-800-522-6752
FOR APPLICATION TOOLING INFORMATION	TOOLING ASSISTANCE CENTER 1-800-722-1111
FOR ORDER ENTRY	1-800-526-5142

MAX RECOMMENDED OPERATING TEMPERATURE: 105°C[221°F] MAX
VOLTAGE RATING: 300 VOLT MAX
CIRCULAR MIL AREA: 2.62-6.64mm²[5,180-13,100] STRANDED OR SOLID

THIS DRAWING IS A CONTROLLED DOCUMENT.	
DIMENSIONS: mm [INCHES]	TOLERANCES UNLESS OTHERWISE SPECIFIED:
	0 PLC ± -
	1 PLC ± -
	2 PLC ± -
	3 PLC ± 0.127[.005]
	4 PLC ± -
	ANGLES ± -
MATERIAL 	FINISH 

DWN JR RUTH 16DEC09	 TE Connectivity		
CHK T MICHELUTTI 16DEC09			
APVD T MICHELUTTI 16DEC09	NAME TERMINAL, RING TONGUE, PIDG WIRE SIZE: 12-10 AWG		
PRODUCT SPEC UL486A-B	SIZE	CAGE CODE	DRAWING NO
APPLICATION SPEC 114-2157	A3	00779	C-35109
WEIGHT -	CUSTOMER DRAWING		RESTRICTED TO -
SCALE 4:1		SHEET 1 OF 1	REV S6