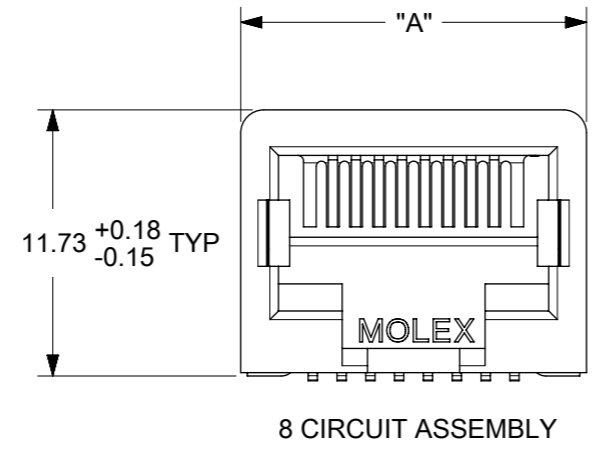
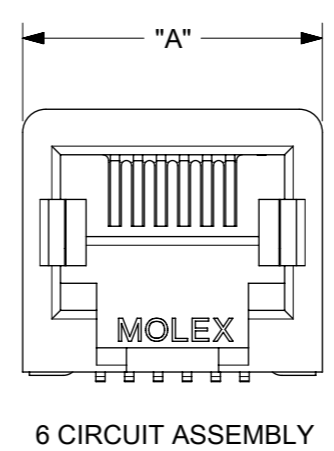


TERMINAL TAILS  
SEE NOTE 4

FITTING NAILS  
SEE NOTE 4

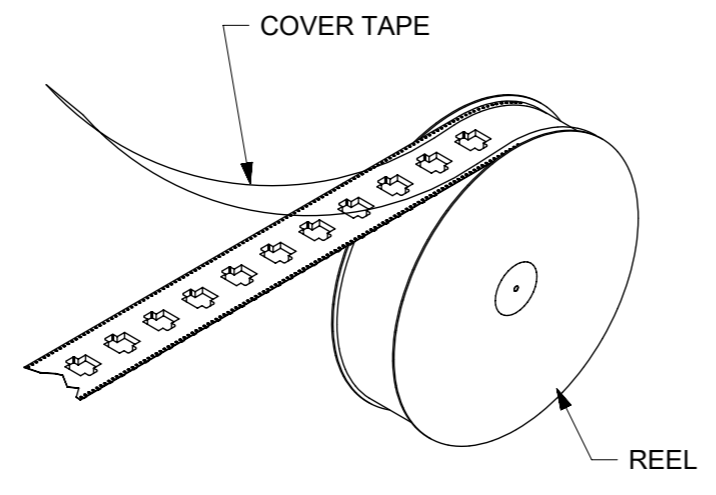
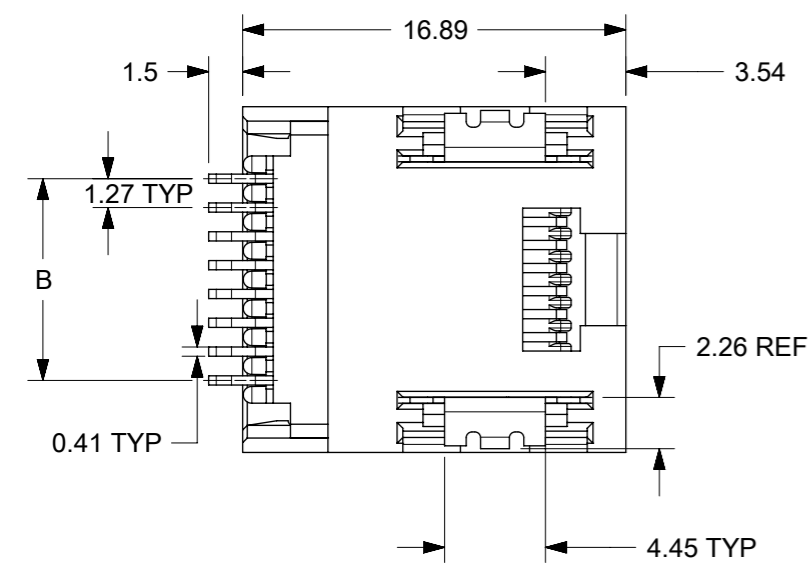


8 CIRCUIT ASSEMBLY



6 CIRCUIT ASSEMBLY

HOUSING SIZE	CIRCUIT SIZE	DIM. A	DIM. B
6	6	13.21	6.35
6	4	13.21	3.81
6	2	13.21	1.27
8	8	15.24	8.89
8	6	15.24	6.35



VACUUM FORMED CARRIER TAPE WITH SPROCKET HOLES

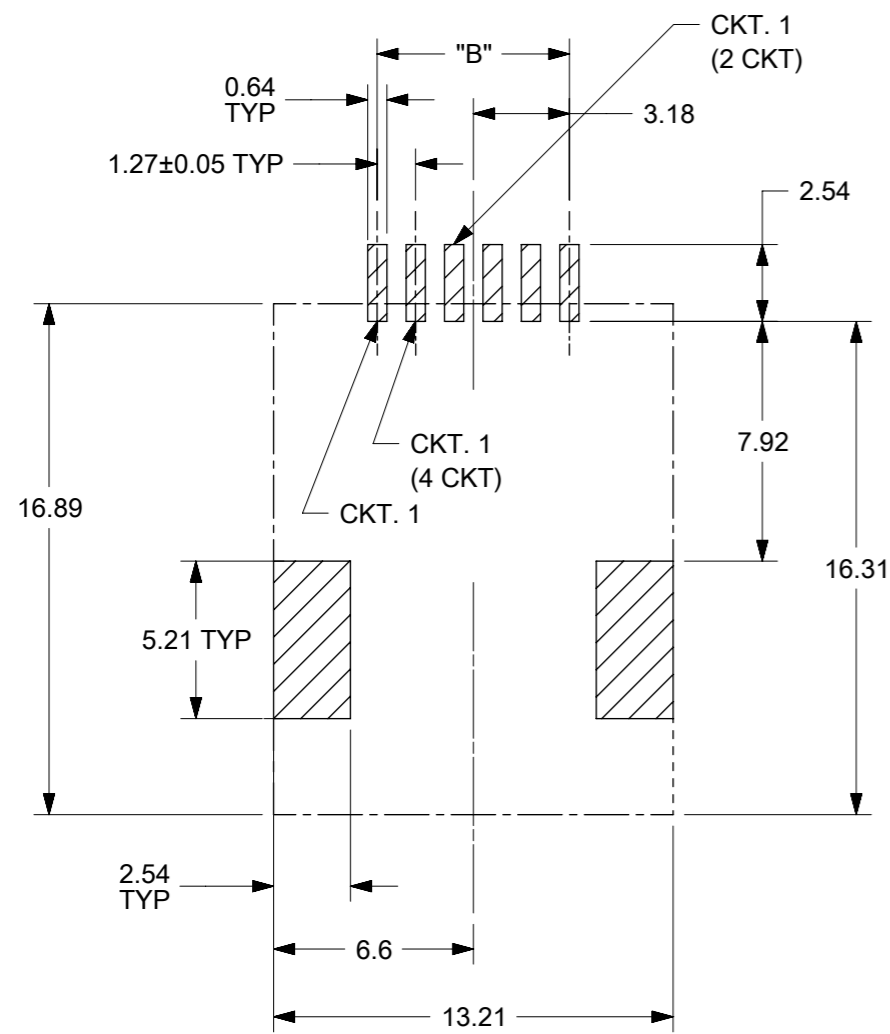
TAPE AND REEL PACKAGING

- NOTES :
- MATERIALS:  
HOUSING: NYLON, GLASS-FILLED, UL94V-0; COLOR - SEE CHART  
TERMINALS: PHOSPHOR BRONZE, 0.30 mm THICK  
FITTING NAILS: BRASS ALLOY, 0.25 mm THICK
  - FINISH:  
TERMINALS:  
(A) SELECT GOLD IN CONTACT AREA: 0.00127 mm MIN.,  
\*SELECT MATTE TIN IN PC TAIL AREA: 0.00254 mm MIN.,  
WITH OVERALL NICKEL UNDERPLATE: 0.00127 mm MIN.  
(B) SELECT GOLD IN CONTACT AREA: 0.00076 mm MIN.,  
\*SELECT MATTE TIN IN PC TAIL AREA: 0.00254 mm MIN.,  
WITH OVERALL NICKEL UNDERPLATE: 0.00127 mm MIN.  
(C) SELECT GOLD IN CONTACT AREA: 0.00038 mm MIN.,  
\*SELECT MATTE TIN IN PC TAIL AREA: 0.00254 mm MIN.,  
WITH OVERALL NICKEL UNDERPLATE: 0.00127 mm MIN.  
FITTING NAILS:  
\*2.54 MICROMETER MATTE TIN OVER 1.27 MICROMETER NICKEL UNDERPLATE  
\*THE PRIMARY SHIPPING CARTON WILL BE LABELED "ELV AND RoHS COMPLIANT" CARTONS WITHOUT THIS LABEL MAY CONTAIN PRODUCT WITH TIN-LEAD IN THE PC TAIL AND/OR FITTING NAILS.
  - PRODUCT SPECIFICATION: PS-43743-0001
  - COPLANARITY SPECIFICATION:  
WITH THE MODULAR JACK SITTING ON A LEVEL SURFACE, THE MAXIMUM GAP BETWEEN THE LEVEL SURFACE AND ALL TERMINAL TAILS AND BOTH FITTING NAILS IS 0.15 mm.
  - FOR ASSEMBLIES HAVING VOIDED CIRCUITS, THE TAIL PORTION IS CUT AND REMOVED. THE MATING PORTION OF THE TERMINAL REMAINS INTACT.
  - CONVECTION SOLDERING TECHNOLOGY SHOULD BE USED WHEN GANGING MODULAR JACKS WITH INBOARD NAILS SIDE-BY-SIDE.
  - THIS PART CONFORMS TO CLASS B REQUIREMENTS OF COSMETIC SPECIFICATION PS-45499-002.

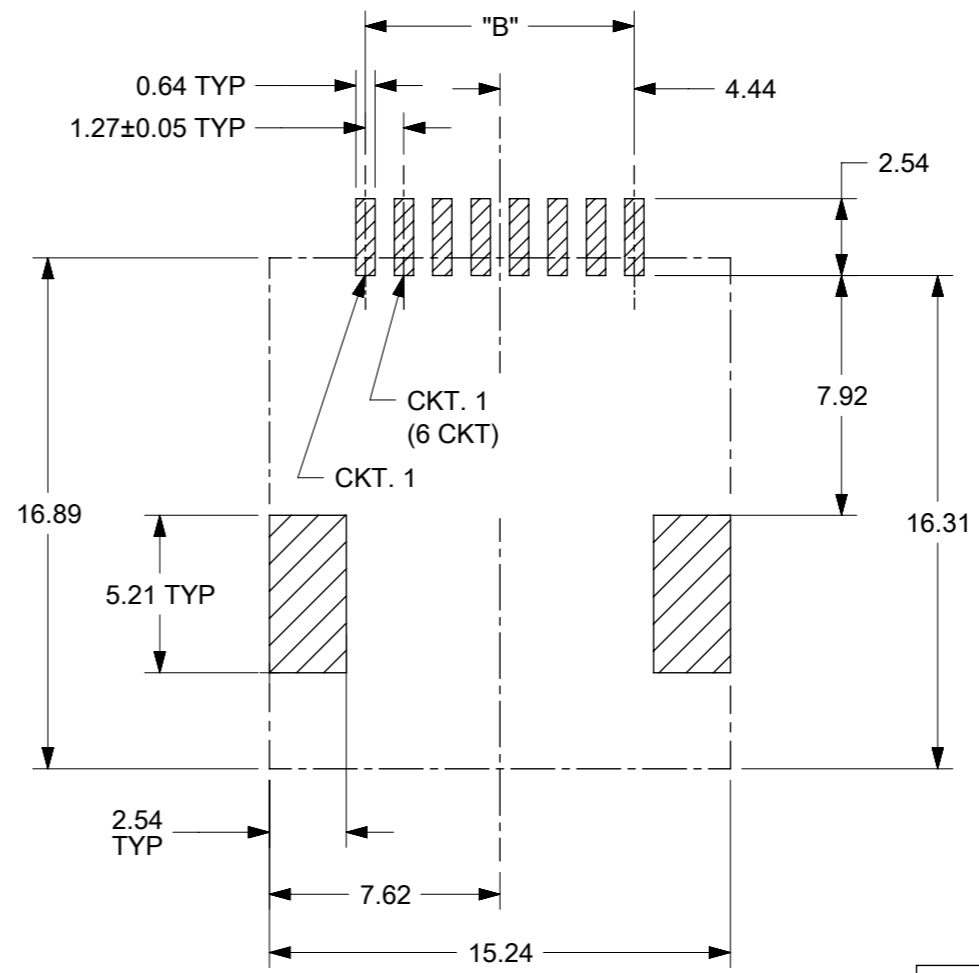
ASSEMBLY ITEM NO.	CONNECTOR SIZE	CIRCUIT SIZE	TERMINAL PLATING	TAPE & REEL PACKAGING No.	VOIDED CIRCUITS	HOUSING COLOR
44144-0003	8	8	A	PK-70873-7002	NA	BLACK
44144-0004	6	4	A	PK-70873-7001	NA	
44144-0005	6	6	A	PK-70873-7001	NA	
44144-0014	6	4	C	PK-70873-7001	NA	

THIS DRAWING CONTAINS INFORMATION THAT IS PROPRIETARY TO MOLEX ELECTRONIC TECHNOLOGIES, LLC AND SHOULD NOT BE USED WITHOUT WRITTEN PERMISSION

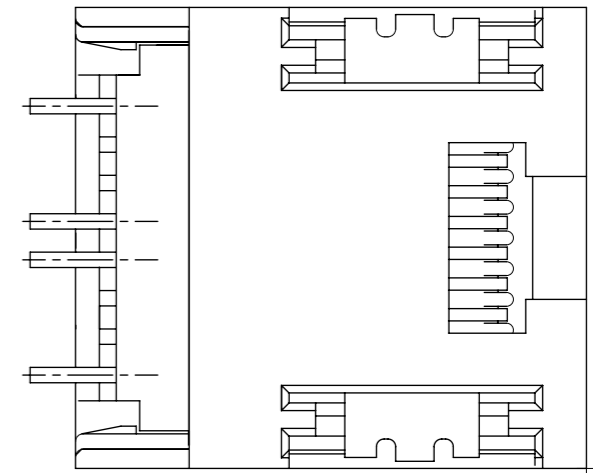
DIMENSION UNITS <b>mm</b>	SCALE <b>3:1</b>	CURRENT REV DESC: REMOVED OBSOLETE PART NUMBER AS PER PCN#511695.	
GENERAL TOLERANCES (UNLESS SPECIFIED)		<p>4, 6, 8 CIRCUIT SMT MODULAR JACK W/ FLUSH FITTING NAILS</p> <p>PRODUCT CUSTOMER DRAWING</p>	
ANGULAR TOL	± 0.5 °		
4 PLACES	±		
3 PLACES	±		
2 PLACES	± 0.25		
1 PLACE	± 0.38	EC NO: 730178 DRWN: SANTHN CHK'D: GGA APPR: GGA	2022/12/05 2023/01/04 2023/01/04
0 PLACES	±	INITIAL REVISION: DRWN: AFENG02 APPR: KLANG	2017/02/23 2017/02/27
DRAFT WHERE APPLICABLE MUST REMAIN WITHIN DIMENSIONS	THIRD ANGLE PROJECTION	DRAWING A3-SIZE	SERIES 44144
DOCUMENT STATUS P1	RELEASE DATE 2023/01/04 04:25:01	MATERIAL NUMBER SEE CHART	CUSTOMER GENERAL MARKET
		DOCUMENT NUMBER <b>SD-44144-001</b>	DOC TYPE PSD
		DOC PART 001	REVISION H8
		SHEET NUMBER 1 OF 2	



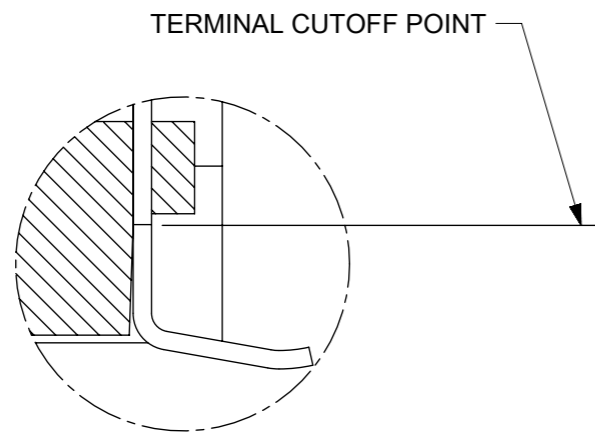
PCB LAYOUT FOR CONNECTOR SIZE 6  
(COMPONENT SIDE OF BOARD)



PCB LAYOUT FOR CONNECTOR SIZE 8  
(COMPONENT SIDE OF BOARD)

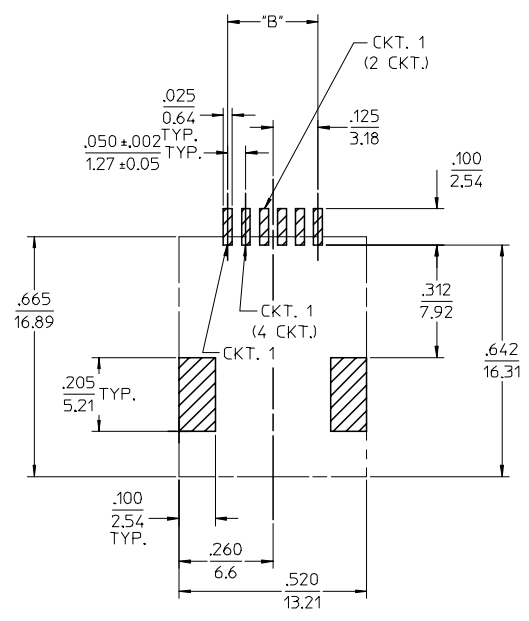


TYPICAL VIEW SHOWING VOIDED CIRCUIT  
44144-0016 SHOWN

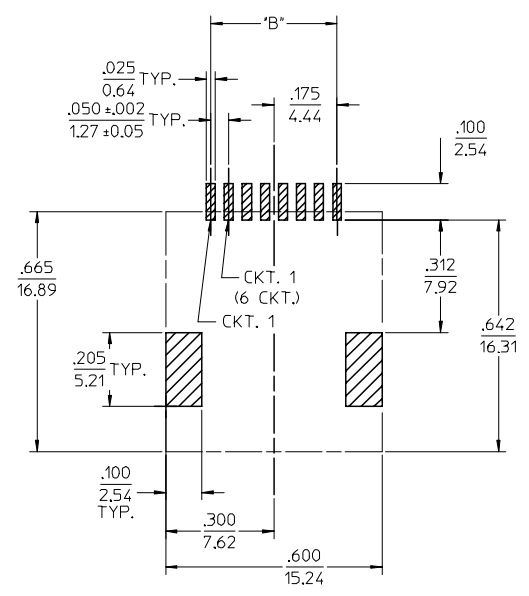


VIEW SHOWING TYPICAL TERMINAL  
CUTOFF OF TAIL (SEE NOTE 5) FOR VOIDED CIRCUITS.

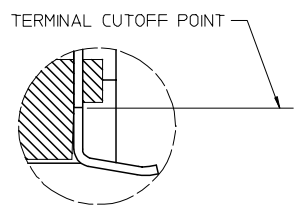
THIS DRAWING CONTAINS INFORMATION THAT IS PROPRIETARY TO MOLEX ELECTRONIC TECHNOLOGIES, LLC AND SHOULD NOT BE USED WITHOUT WRITTEN PERMISSION											
DIMENSION UNITS <b>mm</b>		SCALE <b>4:1</b>		CURRENT REV DESC: REMOVED OBSOLETE PART NUMBER AS PER PCN#511695.							
GENERAL TOLERANCES (UNLESS SPECIFIED)				<b>molex</b> 4, 6, 8 CIRCUIT SMT MODULAR JACK W/ FLUSH FITTING NAILS							
ANGULAR TOL ± 0.5°											
4 PLACES ±		EC NO: 730178		DRWN: SANTHN		2022/12/05		PRODUCT CUSTOMER DRAWING			
3 PLACES ±		CHK'D: GGA		APPR: GGA		2023/01/04					
2 PLACES ± 0.25		INITIAL REVISION:		DRWN: AFENG02		2017/02/23		DOCUMENT NUMBER		DOC TYPE DOC PART REVISION	
1 PLACE ± 0.38		APPR: KLANG		2017/02/27		SD-44144-001		PSD		001 H8	
0 PLACES ±		DRAFT WHERE APPLICABLE MUST REMAIN WITHIN DIMENSIONS		THIRD ANGLE PROJECTION		DRAWING		SERIES		MATERIAL NUMBER CUSTOMER SHEET NUMBER	
				A3-SIZE		44144		SEE CHART		GENERAL MARKET 2 OF 2	



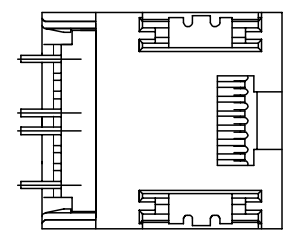
PCB LAYOUT FOR CONNECTOR SIZE 6  
(COMPONENT SIDE OF BOARD)



PCB LAYOUT FOR CONNECTOR SIZE 8  
(COMPONENT SIDE OF BOARD)



VIEW SHOWING TYPICAL TERMINAL  
CUTOFF OF TAIL (SEE NOTE 5) FOR VOIDED CIRCUITS.



TYPICAL VIEW SHOWING VOIDED CIRCUIT  
44144-0016 SHOWN

SEE SHEET ONE EC NO: UCP2004-0798 DRW:LSCHMIDT 2004/01/05 CHKD:LSCHMIDT 2004/01/05 APPR:FSMITH 2004/01/08	QUALITY SYMBOLS	GENERAL TOLERANCES (UNLESS SPECIFIED)	SCALE 4:1	DESIGN UNITS INCH	THIRD ANGLE PROJECTION	REVISE ON CAD ONLY	
	DESCRIPTION ▽ = 0 ▽ = 0	mm	INCH	DIMENSION STYLE IN/MM		TITLE	
		4 PLACES ± .005	± .005	DRAWN BY DSTAMBAU	DATE 00/04/07	4, 6, 8 CIRCUIT SMT MODULAR JACK W/ FLUSH FITTING NAILS	
		3 PLACES ± .010	± .010	CHECKED BY BWIRKUS	DATE 00/04/07	MOLEX INCORPORATED	
2 PLACES ± 0.25	± .015	APPROVED BY R EDGLEY	DATE 00/04/07	MATERIAL NO. SEE CHART	DOCUMENT NO. SD-44144-001	SHEET NO. 2 OF 2	
1 PLACE ± 0.38	± .015	DRAFT WHERE APPLICABLE MUST REMAIN WITHIN DIMENSIONS		THIS DRAWING CONTAINS INFORMATION THAT IS PROPRIETARY TO MOLEX INCORPORATED AND SHOULD NOT BE USED WITHOUT WRITTEN PERMISSION			