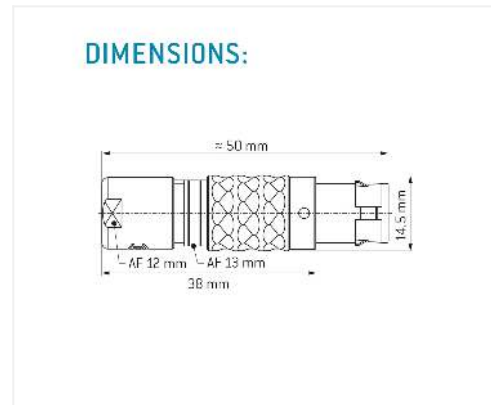
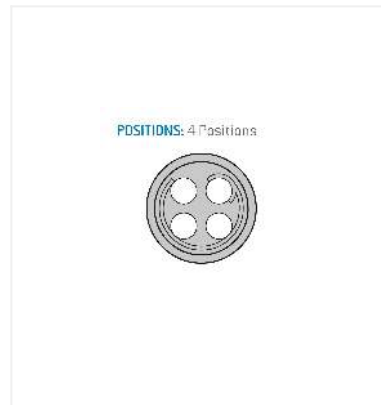


## General information

|                   |                     |
|-------------------|---------------------|
| Part number       | S12LOC-P04LPH0-9200 |
| Termination       | solder              |
| Size              | 2                   |
| Locking principle | push                |
| Coding            | 0_key               |
| Cable Diameter    | cable_mini_92       |
| Cable outlet      | standard            |



## Contact insert description

|                      |              |
|----------------------|--------------|
| Number of contacts   | 4            |
| Contact type         | sockets      |
| Contact diameter     | 13mm         |
| Insulator material   | peek         |
| Wire cross section   | 20_awg       |
| Termination          | solder       |
| Termination diameter | 11mm         |
| Data transmission    | ethernet_100 |

reverse\_gender\_on\_request

## Technical information

|  |           |               |
|--|-----------|---------------|
| Max. creepage and air clearance distance | 18 mm     | 16 mm         |
| Nominal current single contact           | 12_a      | iec_60512_5_2 |
| Nominal current insert                   | 12 A      | vde_0298_4    |
| Test voltage                             | 195_kv_ac | sae_13441     |

safety\_text

## Mechanical and environmental data

|                       |          |
|-----------------------|----------|
| Degree of protection* | ip50     |
| Operating temperature | 40_120_c |
| Mating cycles         | 5000     |

mated\_unmated

## Material and surface treatments

|                |               |
|----------------|---------------|
| <b>Housing</b> | m_chrome      |
| <b>Contact</b> | cu_alloy_gold |

data\_text

safety\_text\_2  
data\_text  
ul\_text  
illustrative\_text