

CT43P-35W300-1

Rev. 2-2023
RoHS3 & REACH
Piezoelectric Sound Transducers



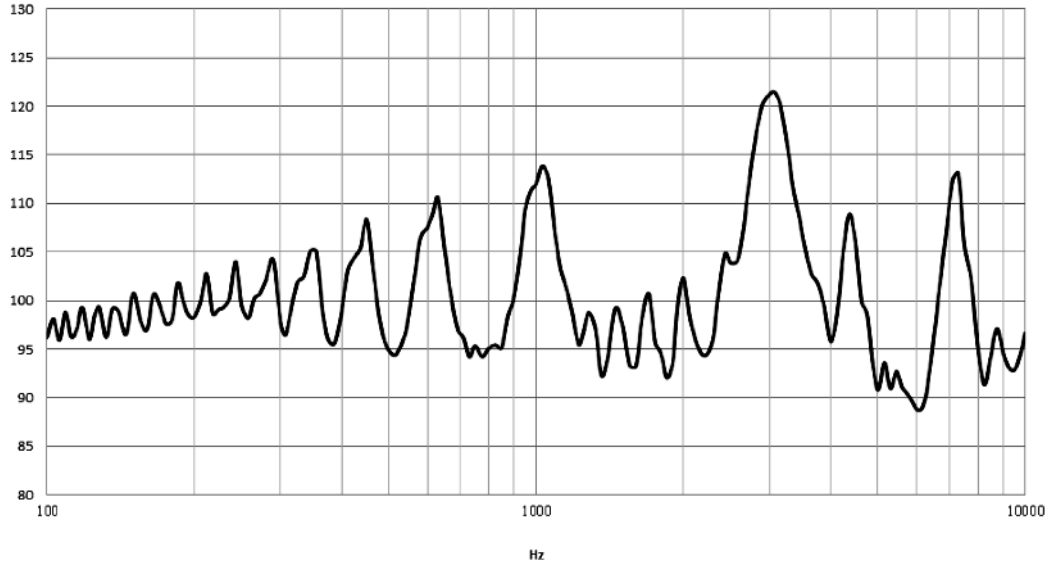
Operating Characteristics

ELECTRICAL

Rated Voltage	30 Vp-p
Max Operating Voltage	35 Vp-p
Max Current at V Rated	8 mA
Capacitance	40000 pF ± 30 % 120 Hz

ACOUSTIC

Min SPL at V Rated	90 dB
Test Conditions	300 cm
f_o	3000 Hz



Physical Characteristics

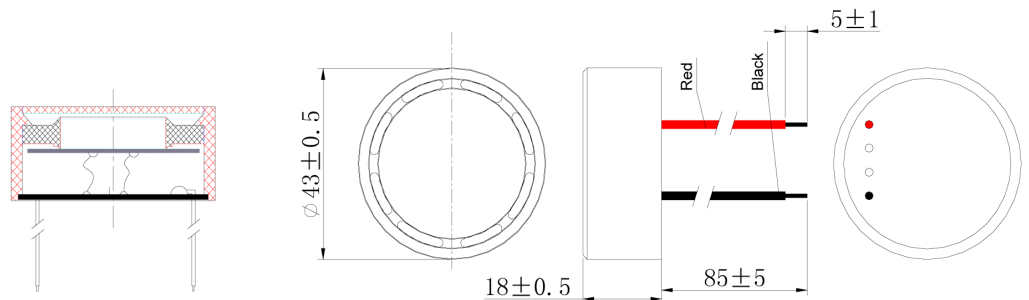
MATERIALS

Housing	Black PBT
Diaphragm	Stainless Steel
Wires	UL1007, 26AWG

TEMPERATURE RANGES

Operating	-30 to +70 °C
Storage	-40 to +85 °C

Weight 20 g



General tolerance = ± 0.5 mm and all measurements in mm unless otherwise noted.

Revision	Description	By	Date
1-2023	Updated photo.	CT	2023-01-25
2-2023	Updated SPL from 110 dB at 30 cm to 90 dB at 300 cm.	AL	2023-05-04

Warranty: For a period of one (1) year from date of shipping under normal operations conditions. This warranty does not apply to products damaged through misuse, abuse, improper installation, alteration, rework, or attempt to repair.

The information contained herein is believed to be correct, but no guarantee or warranty, express or implied, with respect to accuracy, completeness or results is extended and no liability is assumed. Challenge Electronics reserves the right to make changes in any specification, data or material contained herein.