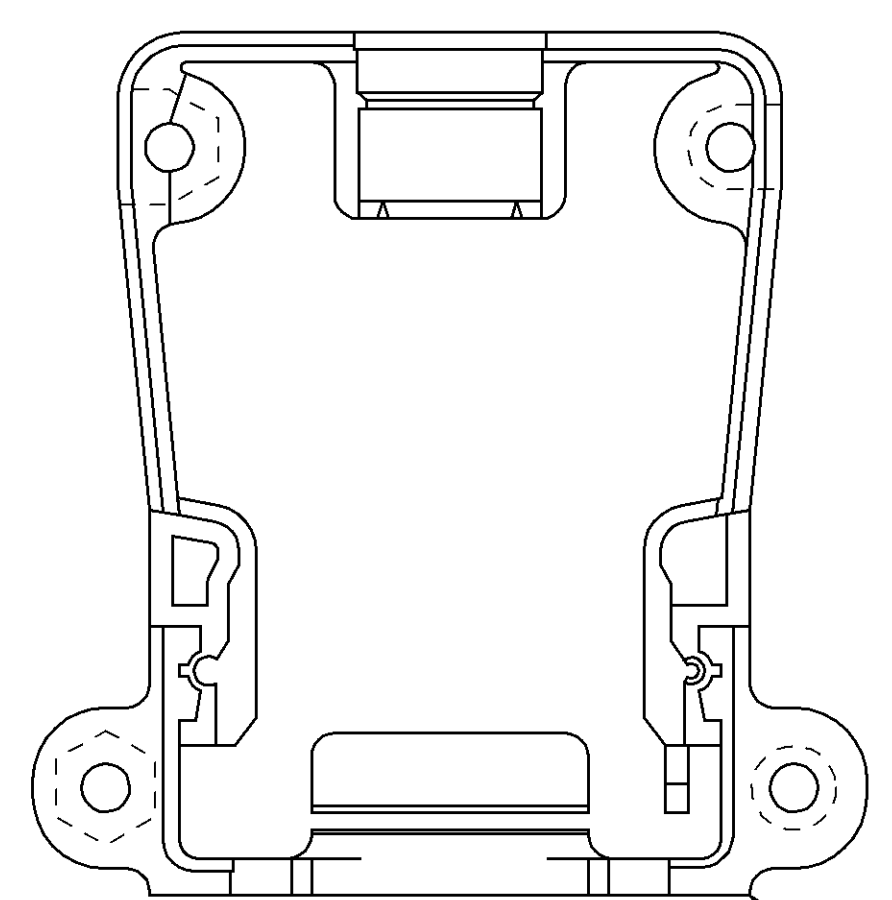
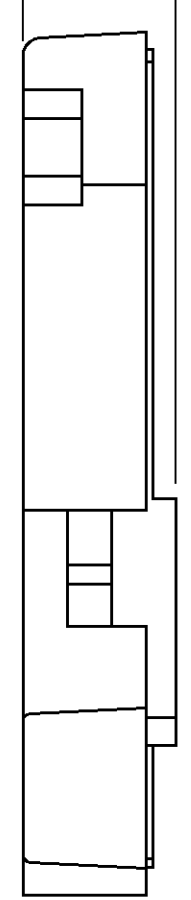


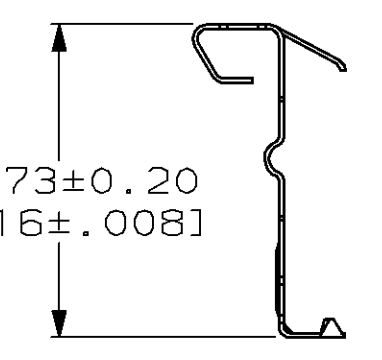
LOC	DIST	REVISIONS			
P	LYR	DESCRIPTION	DATE	DWN	APVD
E		RLSE PER NPR 23	09 APR 97	WGL	-
F		REV PER EC 0320-169-97	27 MAY 97	MB	GM
G		REV PER EC 0640-321-98	28 AUG 98	MB	JO
H		REV PER EC 0640-404-98	16 OCT 98	CO	JO

10.11
[.398]

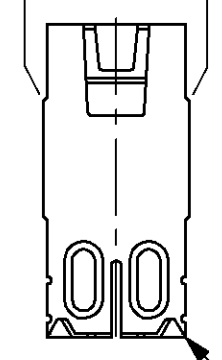


BACKSHELL
QTY=2 PER KIT
788089-4

20.73±0.20
[.816±.008]

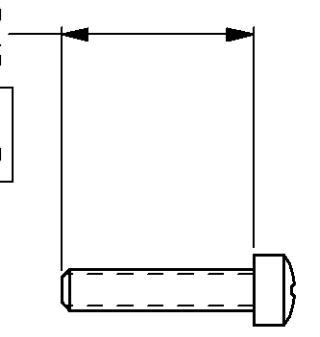


9.65±0.08
[.380±.003]



SPRING LATCH
QTY=2 PER KIT
788424-1

12.70^{+0.00}_{-0.76}
[.500⁰_{-.030}]

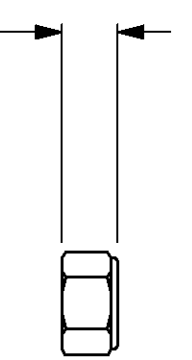


4.65 DIA
[.183]

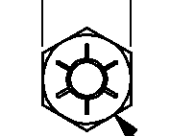


SCREW, 4-40 UNC
QTY=4 PER KIT
4-24282-5

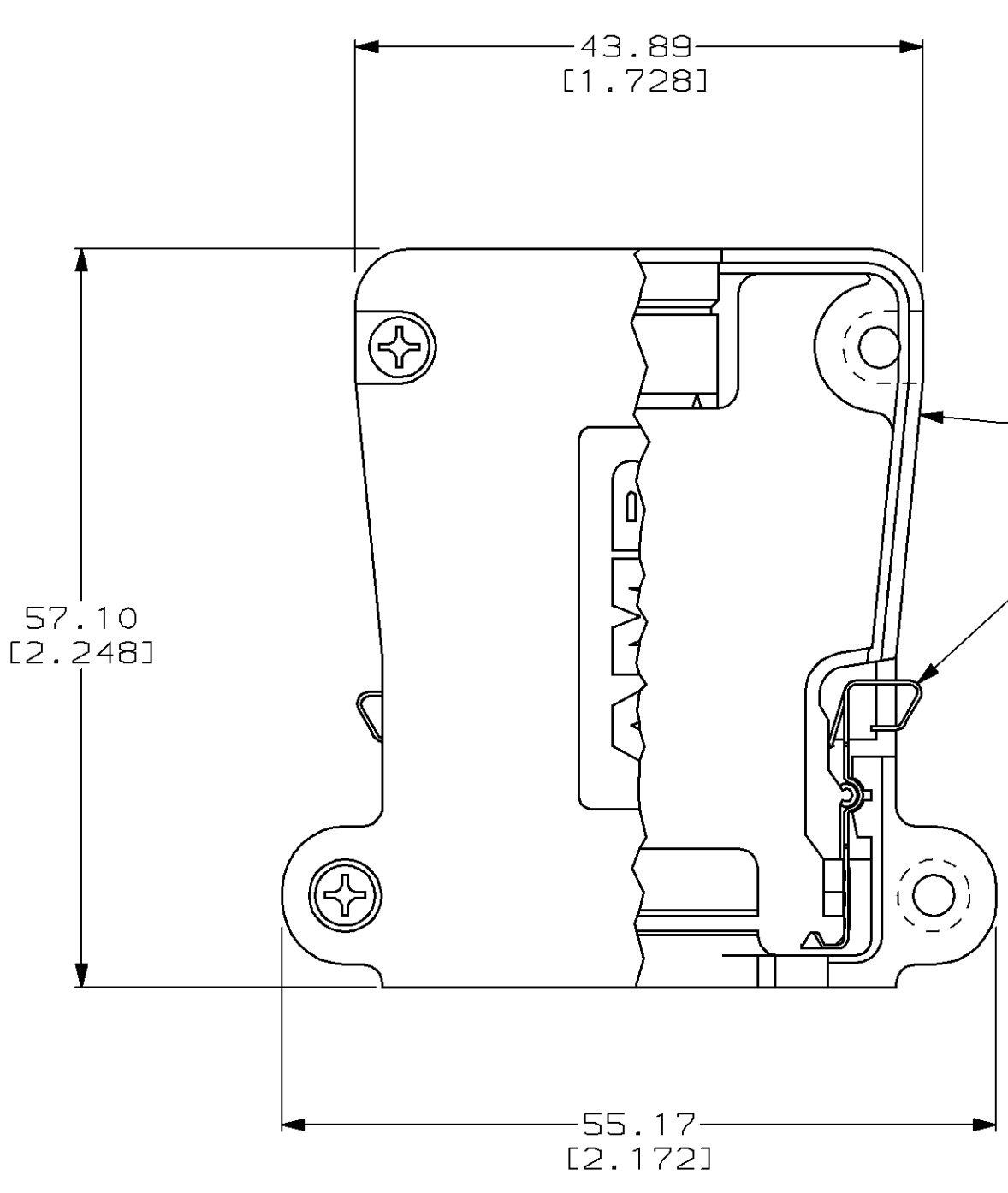
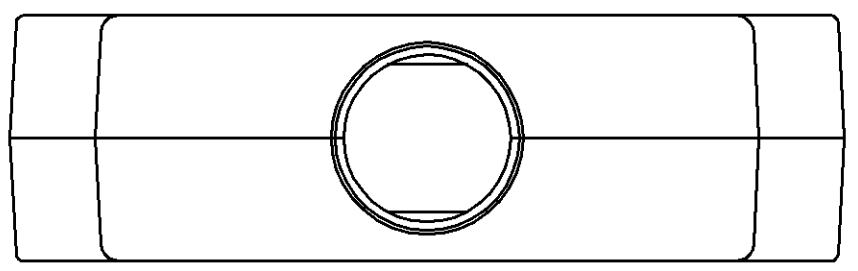
3.63±0.25
[.143±.010]



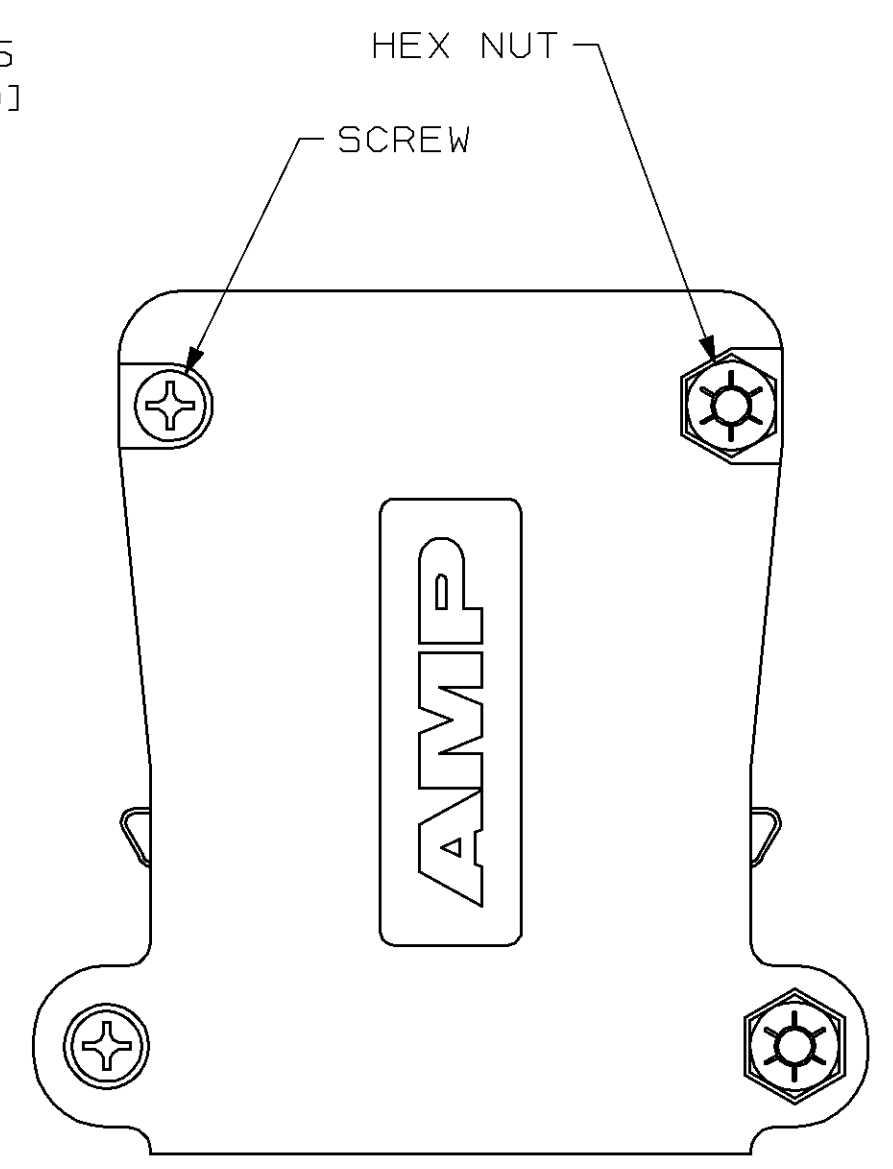
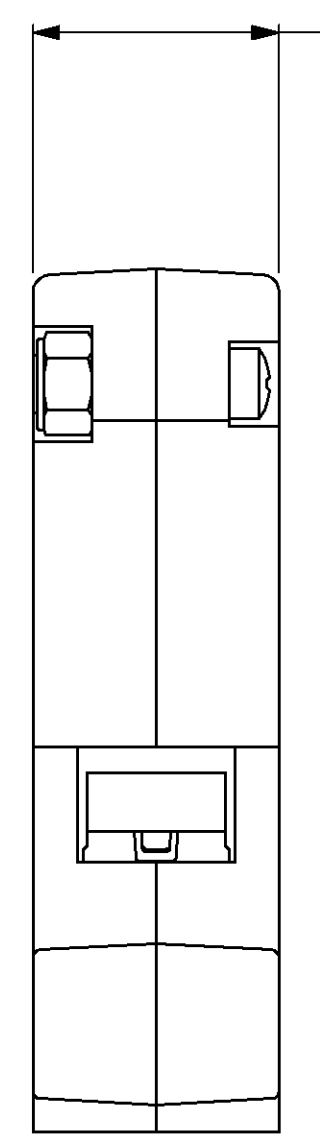
6.27±0.10 TYP
[.247±.004]
ACROSS FLATS



HEX NUT, LOCKING,
4-40 UNC
QTY=4 PER KIT
986046-2



16.26±0.25
[.640±.010]



ASSEMBLED VIEWS

- ⚠ BACKSHELL: ABS, NATURAL.
SPRING LATCH: STAINLESS STEEL, HEAT TREATED.
SCREW AND HEX NUT: CARBON STEEL.
- ⚠ BACKSHELL: 4.57µm [0.000180] MIN NICKEL OVER 7.62µm [0.000300] MIN COPPER,
ALL OVER 0.25µm [0.000010] MIN ELECTROLESS NICKEL.
SCREW AND HEX NUT: ZINC.
- ⚠ KITS ARE INDIVIDUALLY PACKED.
- ⚠ KITS ARE BULK PACKED.

4	788069-2
3	788069-1
PART NUMBER	

THIS DRAWING IS A CONTROLLED DOCUMENT.		DWN H. G. LENKER 14 APR 97	03 OCT 96	AMP	AMP Incorporated Harrisburg, PA 17105-3608
DIMENSIONS: mm (INCHES)		CHK R. STONE 14 APR 97	NAME G. D. MILLER		PRODUCT SPEC 108-40032-1
TOLERANCES UNLESS OTHERWISE SPECIFIED:		APPLICATION SPEC		BACKSHELL KIT, UNASSEMBLED, SIZE 1, 180° CABLE EXIT, AMPLIMITE™	
0 PLC	±	WEIGHT		SIZE A1	CAGE CODE 00779
1 PLC	±	SCALE		DRAWING NO 788069	
2 PLC	±	SHEET		REV	
3 PLC	±	SCALE		SHEET	
4 PLC	±	SCALE		SHEET	
ANGLES	±	SCALE		SHEET	
FINISH	±	SCALE		SHEET	
MATERIAL		SCALE		SHEET	
FINISH		SCALE		SHEET	
MATERIAL		SCALE		SHEET	
FINISH		SCALE		SHEET	