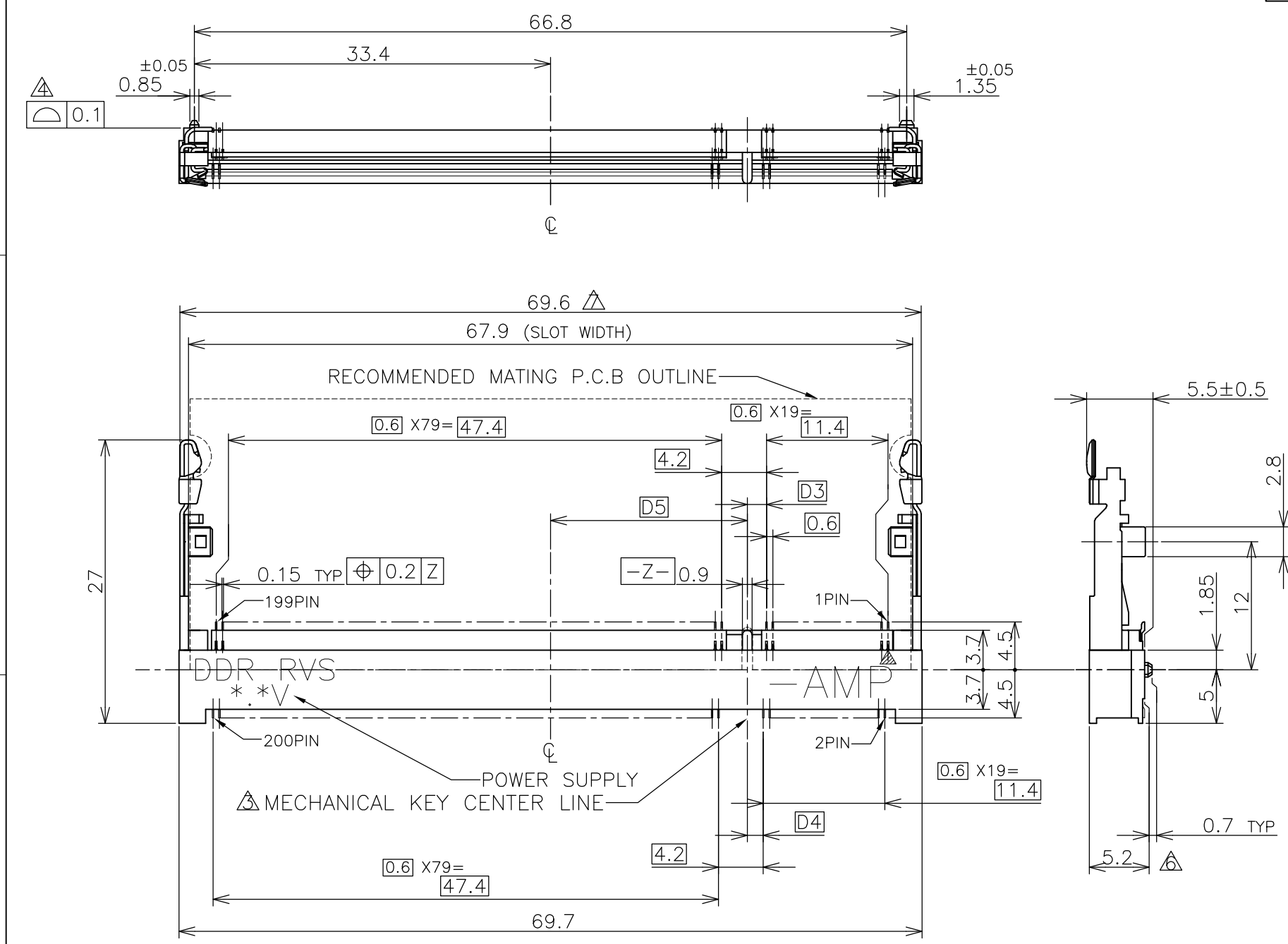


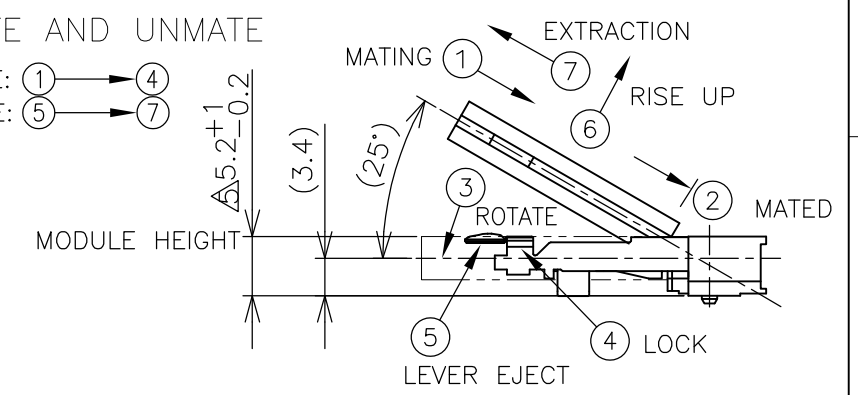
THIS DRAWING IS UNPUBLISHED. RELEASED FOR PUBLICATION MAR , 2007.
 © COPYRIGHT 2007 BY TYCO ELECTRONICS CORPORATION. ALL RIGHTS RESERVED.

LOC	DIST	REVISIONS			
P	LTR	DESCRIPTION	DATE	DWN	APVD
J		B	REVISED PER ECR-07-016720	16JUL07	SA.Y S.Y



HOW TO MATE AND UNMATE

- MATE: ① → ④
- UNMATE: ⑤ → ⑦



(APPLIED TO SHEET 1-2)

- MATERIAL ; HOUSING: HIGH TEMPERATURE THERMO PLASTIC UL94V-0
CONTACT: COPPER ARROY
LOCK LEVER: STAINLESS STEEL
 - FINISH ; CONTACT AREA: GOLD PLATING ON ALL OVER NICKEL.
SOLDERING AREA: GOLD FLASH PLT.
LOCK LEVER: TIN PLATING.
- ⚠ MECHANICAL KEY POSITION OF CONNECTOR SEE TABLE.
 - ⚠ COPLANARITY : 0.1 MAX.
 - ⚠ THE FLOATING VALUE BY SOLDERING IS NOT INCLUDED.
 - ⚠ NOT MATING CONDITION.
 - ⚠ IN CASE OF MODULE BOARD LOCK AND EJECT, LATCH MAXIMUM WIDTH: 75mm.
 - ⚠ TOLERANCES NON-CUMULATIVE.
 - ⚠ CARD GUIDE AND STRUT COMPONENT KEEP-OUT ZONE.
 - ⚠ [] INSIDE MUST BE RESIST COAT EXCEPT SOLDER PATTERN.

THIS DRAWING IS A CONTROLLED DOCUMENT.

DIMENSIONS: MM	TOLERANCES UNLESS OTHERWISE SPECIFIED:
	0 PLC ±
	1 PLC ±
	2 PLC ±
	3 PLC ±
	4 PLC ±
	ANGLES ±
MATERIAL	FINISH

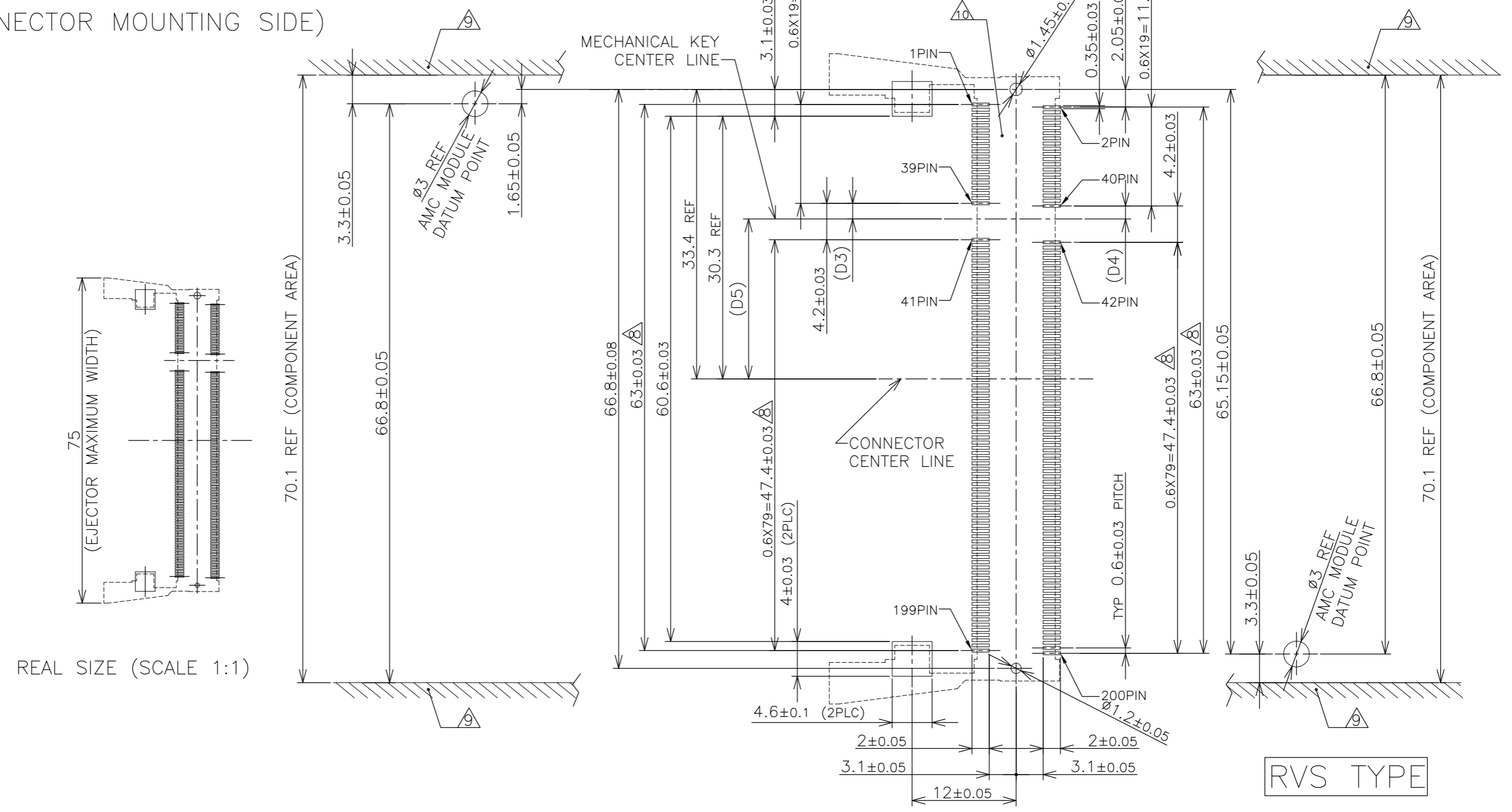
GENERAL TOLERANCE
10 ≥ : ±0.2
30 ≥ > 10: ±0.3
100 ≥ > 30: ±0.5
ANGLES: ±3'

1.8V (DDR2)	17.55	2.4	2.7	200	1981281-4
POWER SUPPLY (TYPE)	D5	D4	D3	POS	PART NO.
DWN LEO ZHOU 07MAR07	Tyco Electronics Corporation Kawasaki, Japan				
CHK T.FUMIKURA 07MAR07					
APVD K.IKEGAMI 07MAR07	NAME				
PRODUCT SPEC 108-5701	DDR SODIMM SOCKET 0.6mm PITCH 200POS 5.2H RVS TYPE TO FIT AMC APPLICATIONS				
APPLICATION SPEC	SIZE	CAGE CODE	DRAWING NO	RESTRICTED TO	
WEIGHT 4.7g	A3		C-1981281		
CUSTOMER DRAWING	SCALE 2:1	SHEET 1	OF 4	REV B	

THIS DRAWING IS UNPUBLISHED. RELEASED FOR PUBLICATION MAR ,2007.
 © COPYRIGHT 2007 BY TYCO ELECTRONICS CORPORATION. ALL RIGHTS RESERVED.

LOC	DIST	P	LTR	DESCRIPTION	DATE	DWN	APVD
J				SEE SHEET 1	-	-	-

REFERENCE P.C. BOARD PATTERN LAYOUT
(CONNECTOR MOUNTING SIDE)

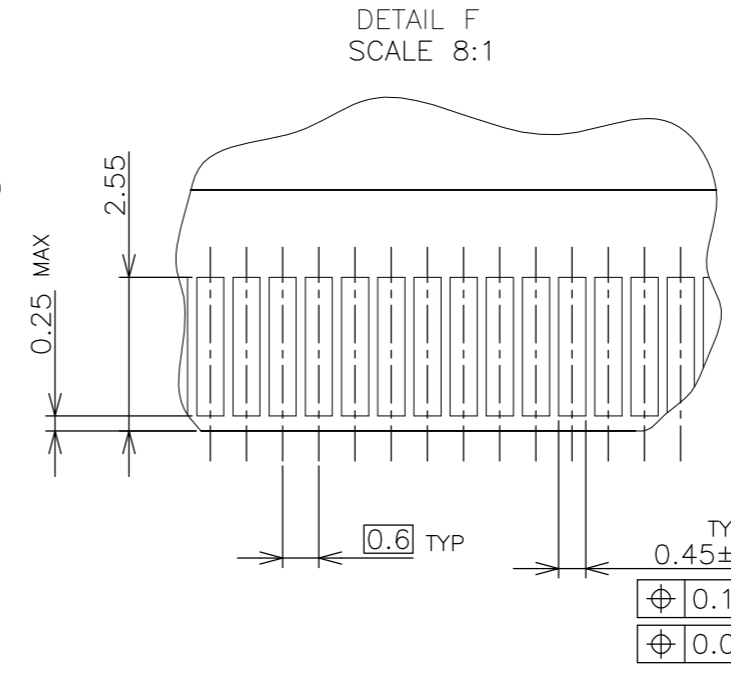
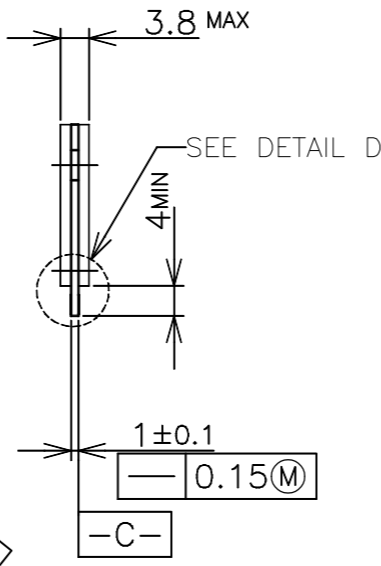
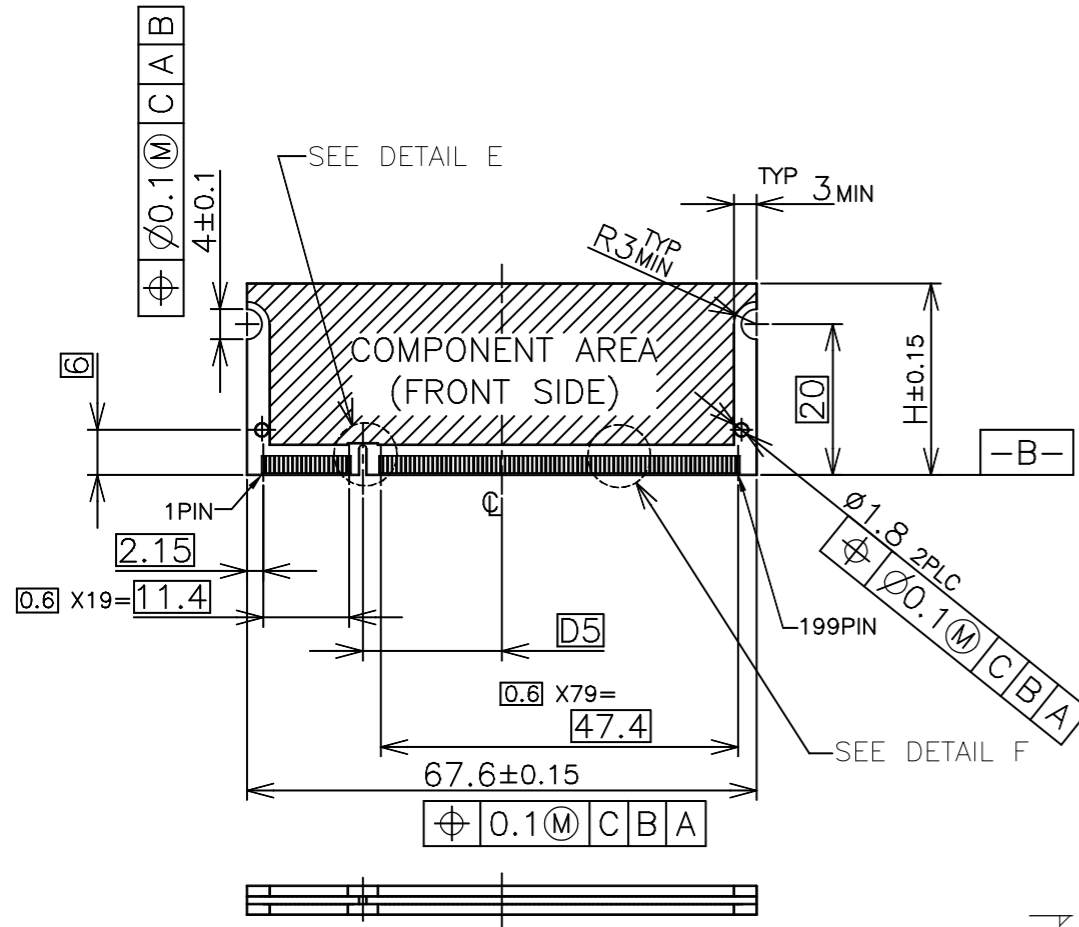


1.8V	17.55	2.4	2.7
POWER SUPPLY	D5	D4	D3

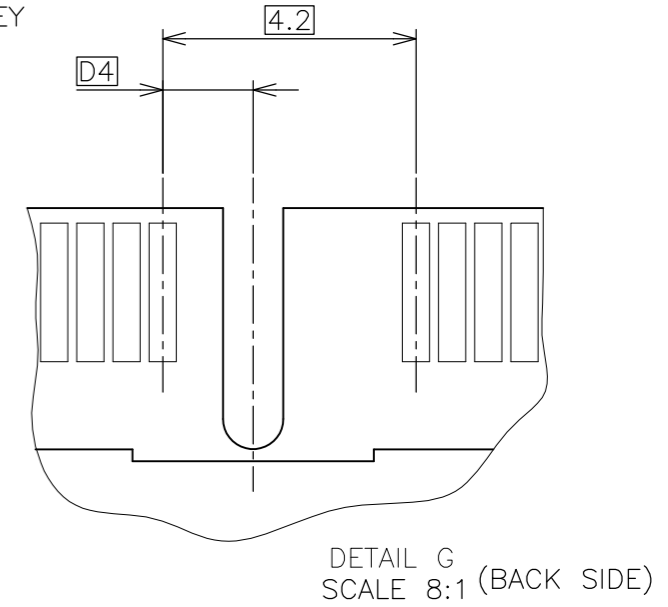
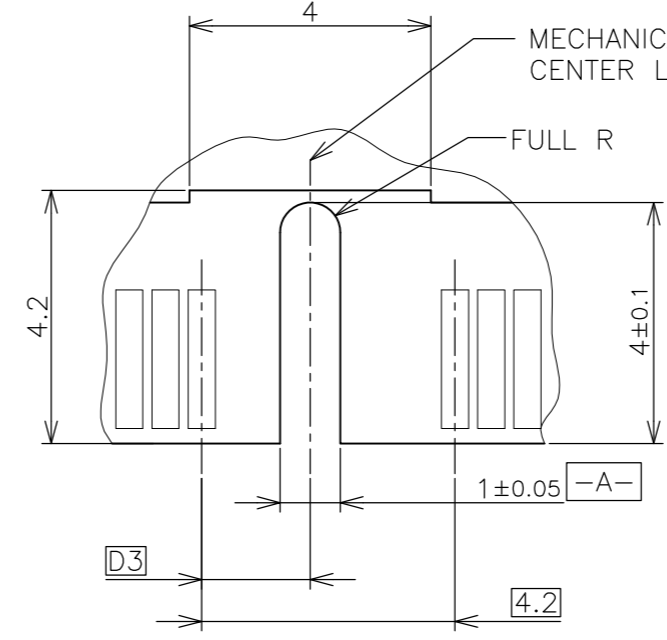
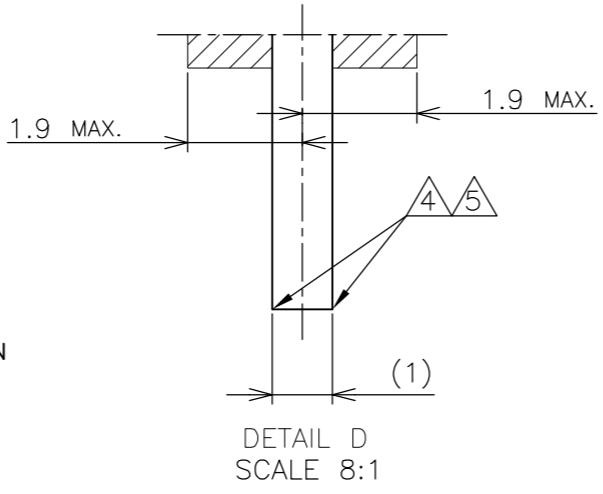
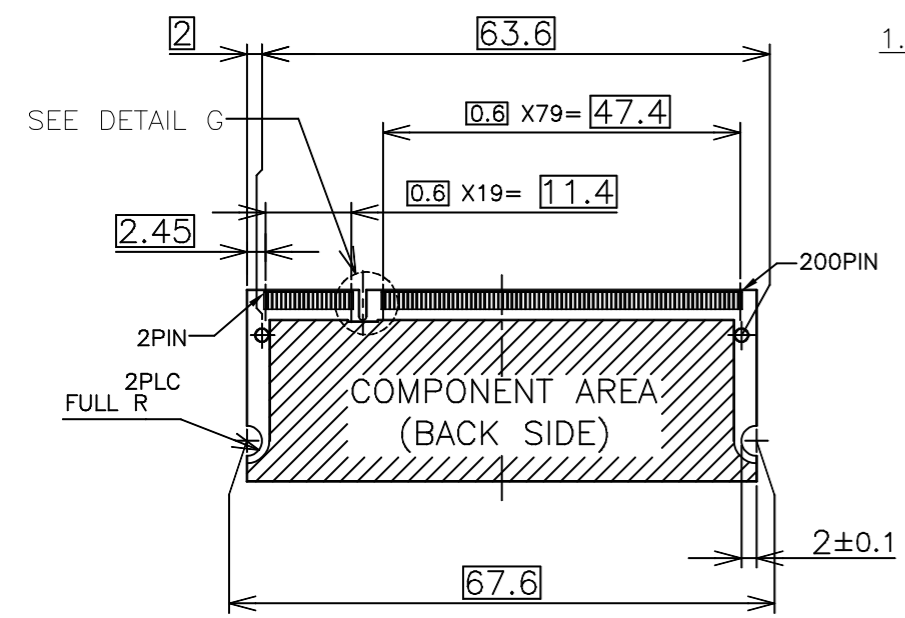
THIS DRAWING IS A CONTROLLED DOCUMENT.		DWN	Tyco Electronics		Tyco Electronics Corporation	
DIMENSIONS: MM		CHK	Kawasaki, Japan		NAME	
TOLERANCES UNLESS OTHERWISE SPECIFIED:		APVD	DDR SODIMM SOCKET 0.6mm PITCH 200POS			
0 PLC ±		PRODUCT SPEC	5.2H RVS TYPE			
1 PLC ±		APPLICATION SPEC	TO FIT AMC APPLICATIONS			
2 PLC ±		SIZE	CAGE CODE	DRAWING NO	RESTRICTED TO	
3 PLC ±		A3		C-1981281		
4 PLC ±		WEIGHT	CUSTOMER DRAWING			
ANGLES ±		SCALE	SHEET		OF	REV
FINISH		2:1	2		4	B

LOC	DIST
J	

REVISIONS		DESCRIPTION	DATE	DWN	APVD
P	LTR	SEE SHEET 1			



- (APPLIED TO SHEET 3)
1. TOLERANCES ON ALL DIMENSIONS ± 0.15 UNLESS OTHERWISE SPECIFIED.
 2. P.C. BOARD THICKNESS APPLIES ACROSS TABS AND INCLUDES PLATING AND/OR METALIZATION.
 3. FINISH OF PAD : GOLD PLATING 0.00076 MIN. OVER Ni PLATING 0.002MIN.
- ▲ NO BURR
 △ CHAMFER 0.25 MAX x 45° IF EXIST.



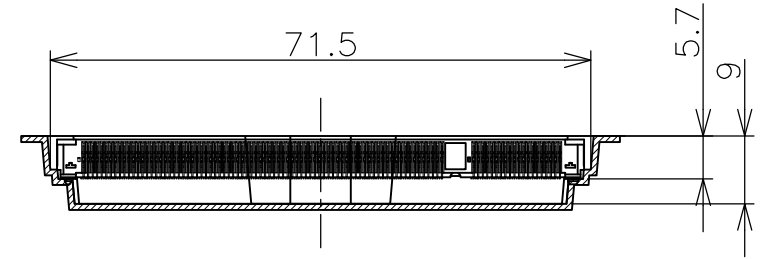
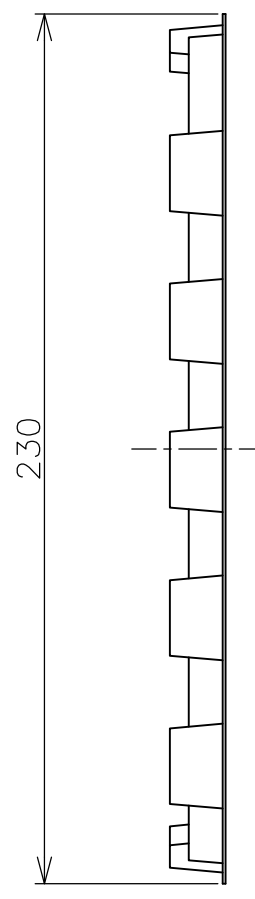
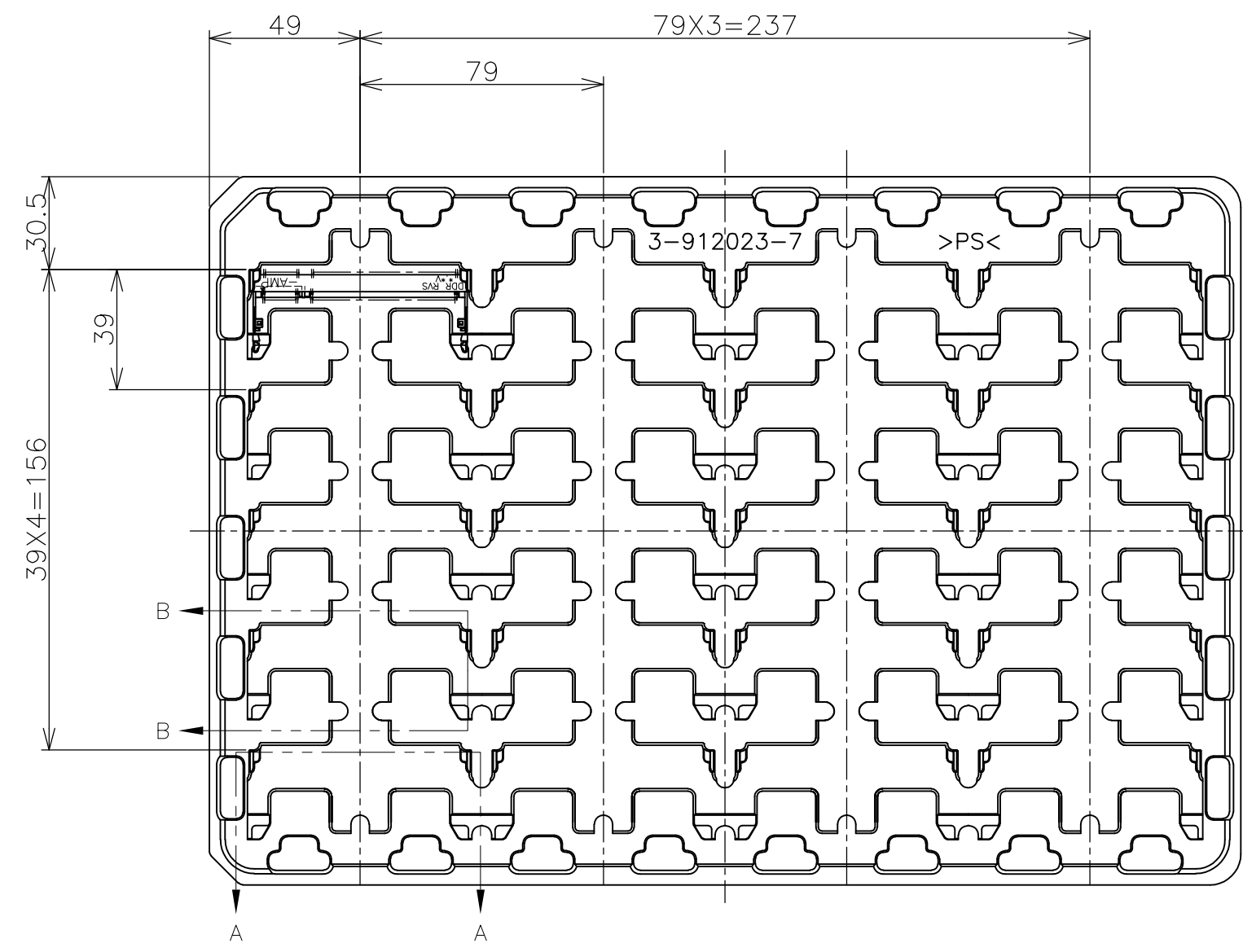
RECOMMENDED MATING P.C.B CONFIGURATION

THIS DRAWING IS A CONTROLLED DOCUMENT.		DWN
DIMENSIONS: MM		CHK
TOLERANCES UNLESS OTHERWISE SPECIFIED:		APVD
0 PLC	±	PRODUCT SPEC
1 PLC	±	APPLICATION SPEC
2 PLC	±	WEIGHT
3 PLC	±	CUSTOMER DRAWING
4 PLC	±	
ANGLES	±	
FINISH		

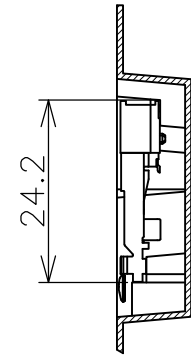
31.75	1.8V	17.55	2.4	2.7
25.4	POWER SUPPLY	D5	D4	D3
H	Tyco Electronics Corporation Kawasaki, Japan			
NAME DDR SODIMM SOCKET 0.6mm PITCH 200POS 5.2H RVS TYPE TO FIT AMC APPLICATIONS				
SIZE	CAGE CODE	DRAWING NO	RESTRICTED TO	
A3		C-1981281		
SCALE 1:1		SHEET 3 OF 4		REV B

THIS DRAWING IS UNPUBLISHED. RELEASED FOR PUBLICATION MAR ,2007.
 © COPYRIGHT 2007 BY TYCO ELECTRONICS CORPORATION. ALL RIGHTS RESERVED.

LOC	DIST	REVISIONS			
P	LTR	DESCRIPTION	DATE	DWN	APVD
J		SEE SHEET 1	-	-	-

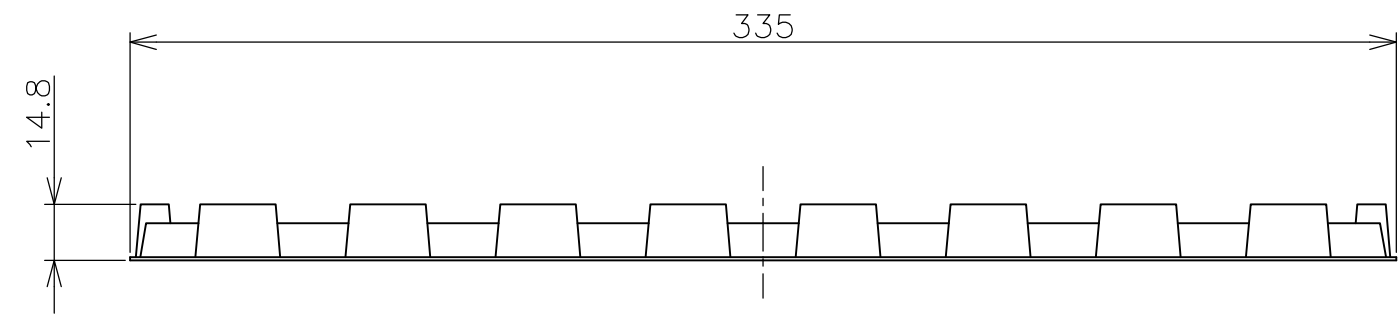


A-A
SCALE 1:1
(180DEG. ROTATE)



B-B
SCALE 1:1

- (APPLIED TO SHEET 4)
1. THE DIRECTION OF EACH CONNECTOR ON A TRAY IS REFERRED TO THIS DRAWING.
 2. GENERAL TOLERANCE: ±0.5



20EA/TRAY	1981281-4
QTY	P/N

THIS DRAWING IS A CONTROLLED DOCUMENT.		DWN	Tyco Electronics Corporation Kawasaki, Japan				
DIMENSIONS: MM		CHK					
TOLERANCES UNLESS OTHERWISE SPECIFIED: 0 PLC ± 0.5 1 PLC ± 0.5 2 PLC ± 0.5 3 PLC ± 0.5 4 PLC ± 0.5 ANGLES ± 3°		APVD	NAME				
MATERIAL		PRODUCT SPEC	DDR SODIMM SOCKET 0.6mm PITCH 200POS				
		APPLICATION SPEC	5.2H RVS TYPE				
		WEIGHT	TO FIT AMC APPLICATIONS				
		FINISH	SIZE	CAGE CODE	DRAWING NO	RESTRICTED TO	
			A3		C-1981281		
			CUSTOMER DRAWING		SCALE 1:2	SHEET 4 OF 4	REV B