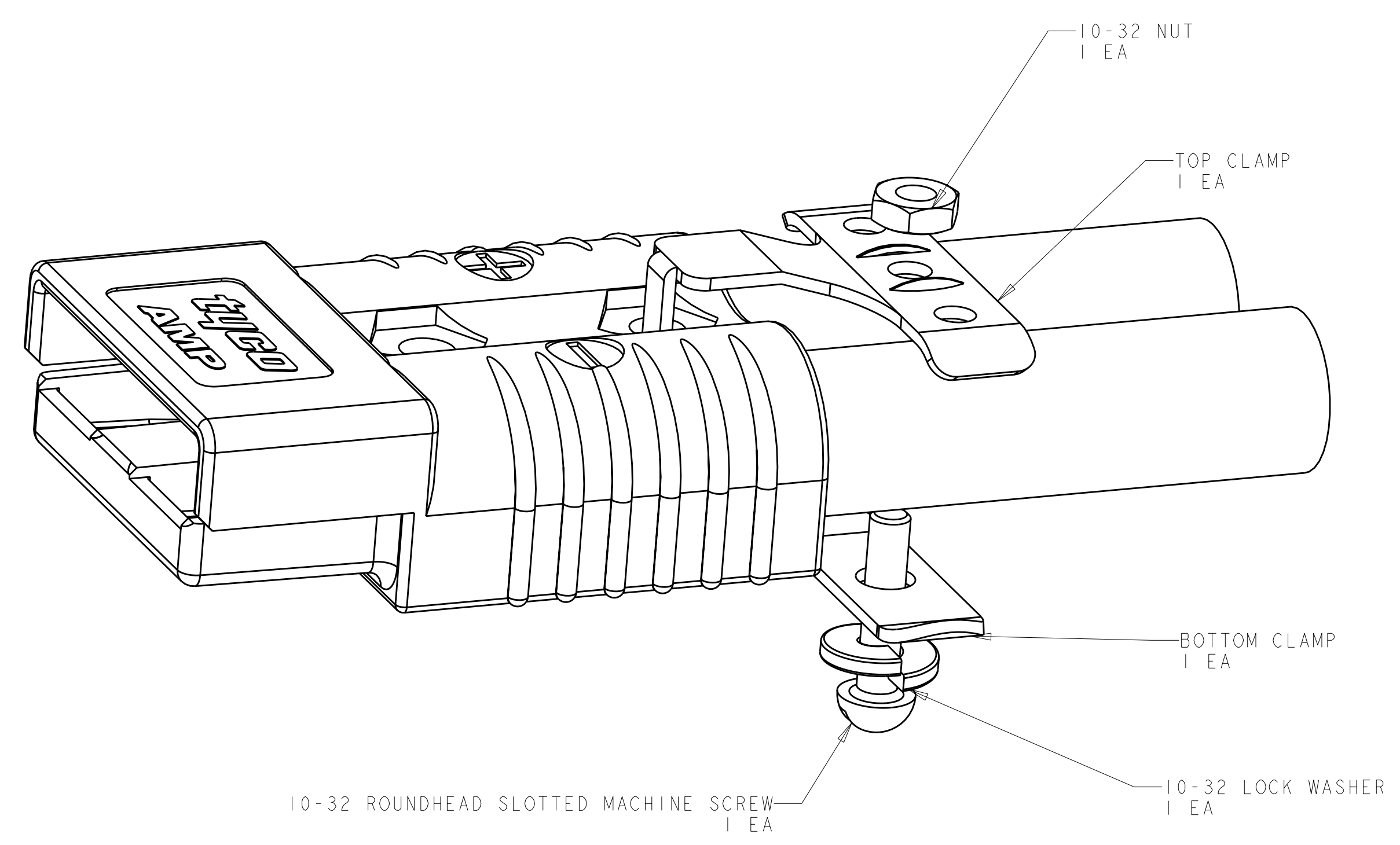
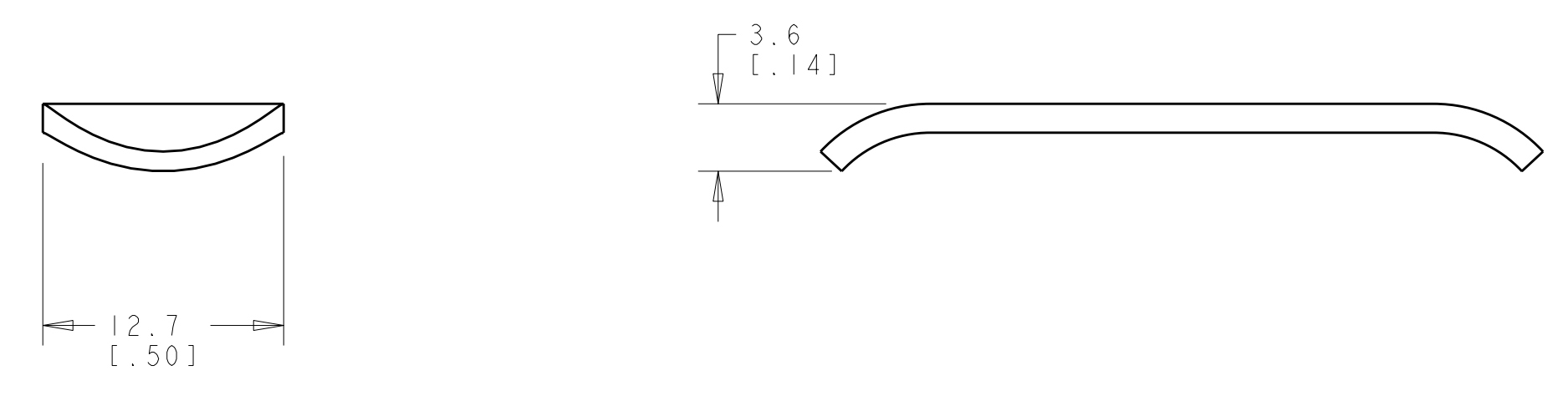
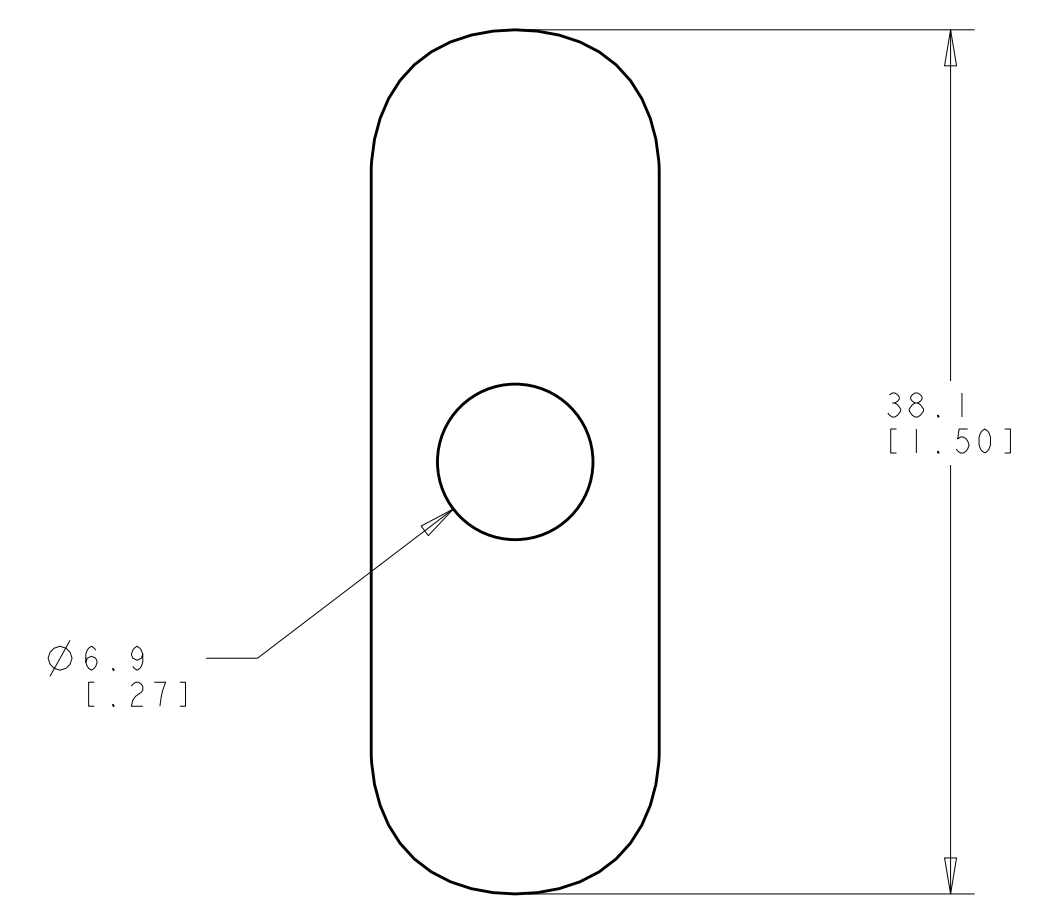
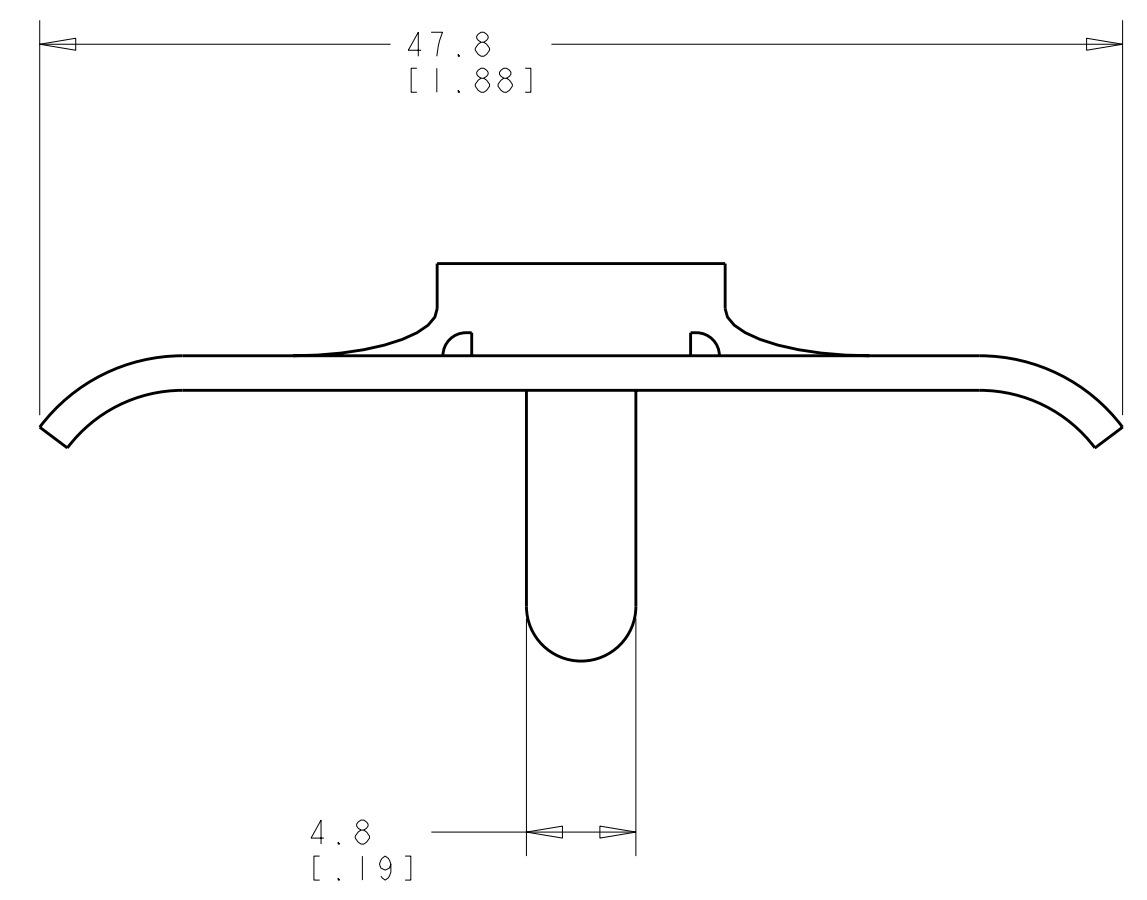
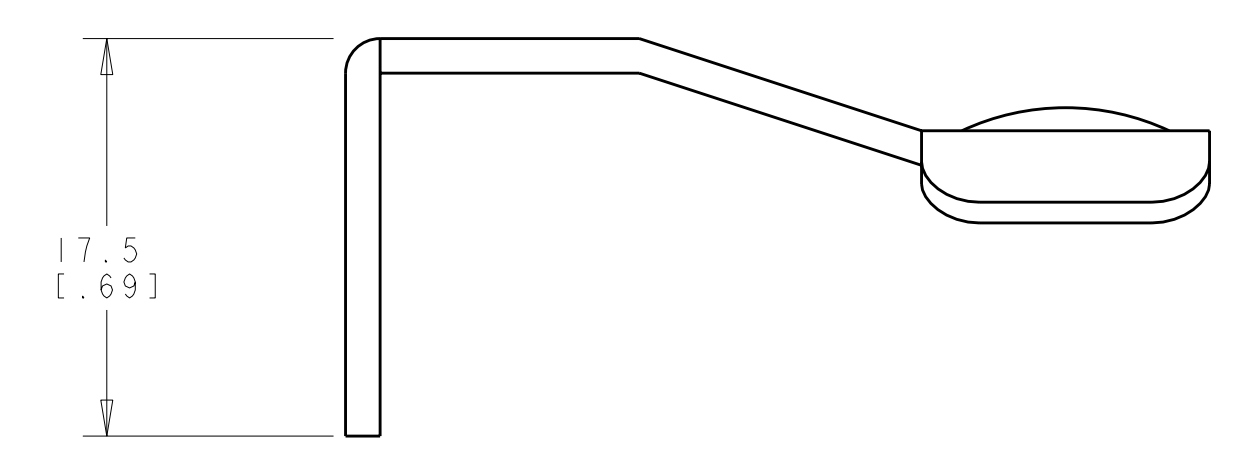
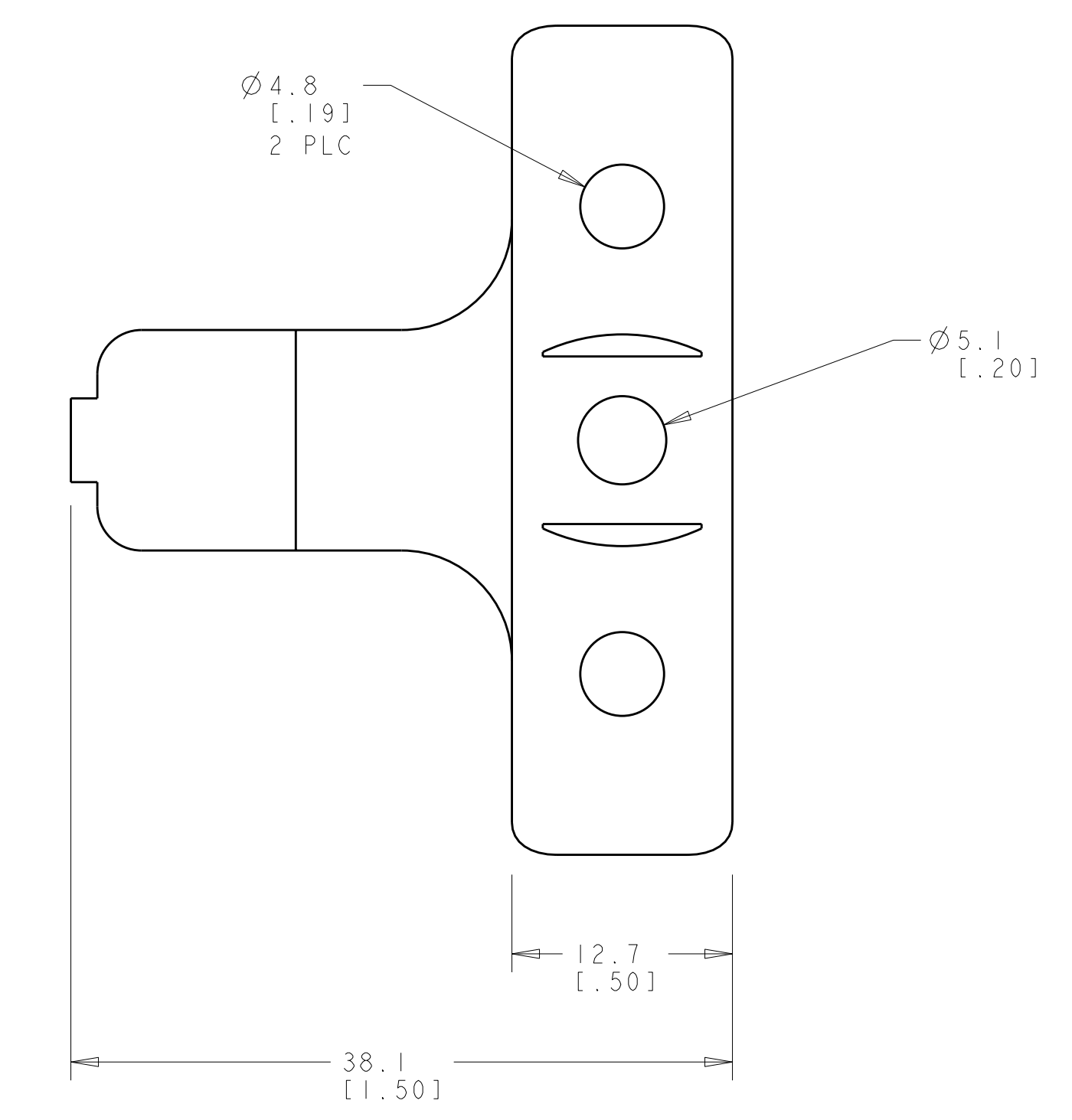


LOC	DIST	REVISIONS			
CM	00	REV	DATE	BY	APP'D
		1	PRE-RELEASED	27OCT2003	KW JE
		0	REVISED PER 0G3B-1056-04	14MAR06	KW JE



SCALE 2:1

1. A HARDWARE KIT CONSISTING OF SCREW, LOCKWASHER, AND NUT IS INCLUDED IN THE CLAMP KIT.
2. CLAMP MATERIAL IS 16 GA. [.06] THICK COLD ROLLED STEEL. BRIGHT ZINC PLATED.

647700-1
PART NUMBER

METRIC

<small>THIS DRAWING IS UNPUBLISHED. RELEASED FOR PUBLICATION BY TYCO ELECTRONICS CORPORATION. ALL RIGHTS RESERVED.</small>		DWN: R. WHITAKER 27OCT2003 CHK: J. ELLIS 27OCT2003 APVD: J. ELLIS 27OCT2003	tyco Electronics Tyco Electronics Harrisburg, PA 17105-3608
DIMENSIONS: mm [INCHES] TOLERANCES UNLESS OTHERWISE SPECIFIED: 0 PLC ± 1 PLC ±0.50 [1.020] 2 PLC ± 3 PLC ± 4 PLC ± ANGLES ±40° 30'		PRODUCT SPEC APPLICATION SPEC WEIGHT CUSTOMER DRAWING	NAME: CABLE CLAMP KIT, AMP POWER SERIES 175 SIZE: A11 CAGE CODE: 00779 DRAWING NO: 647700 RESTRICTED TO:
MATERIAL: - FINISH: -		SCALE: 3:1 SHEET: 1 OF 1 REV: 0	