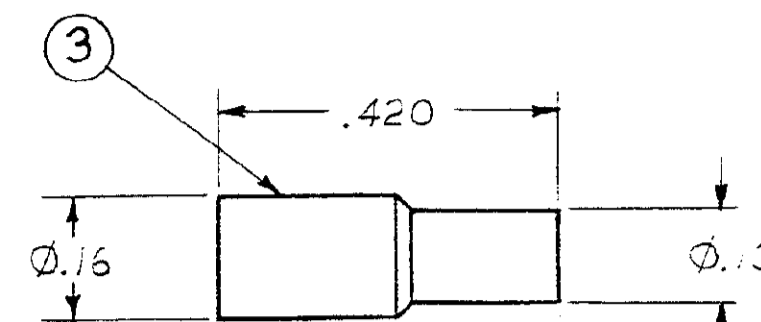
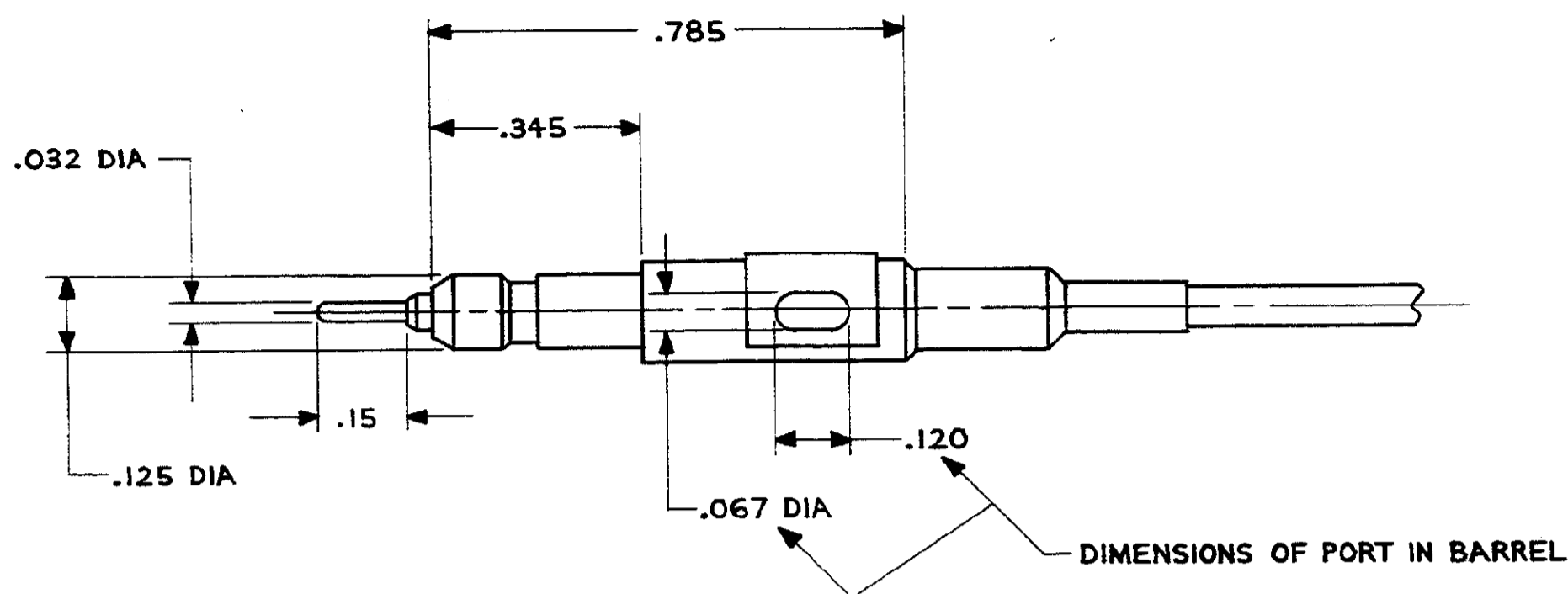


DRAWING MADE IN THIRD ANGLE PROJECTION

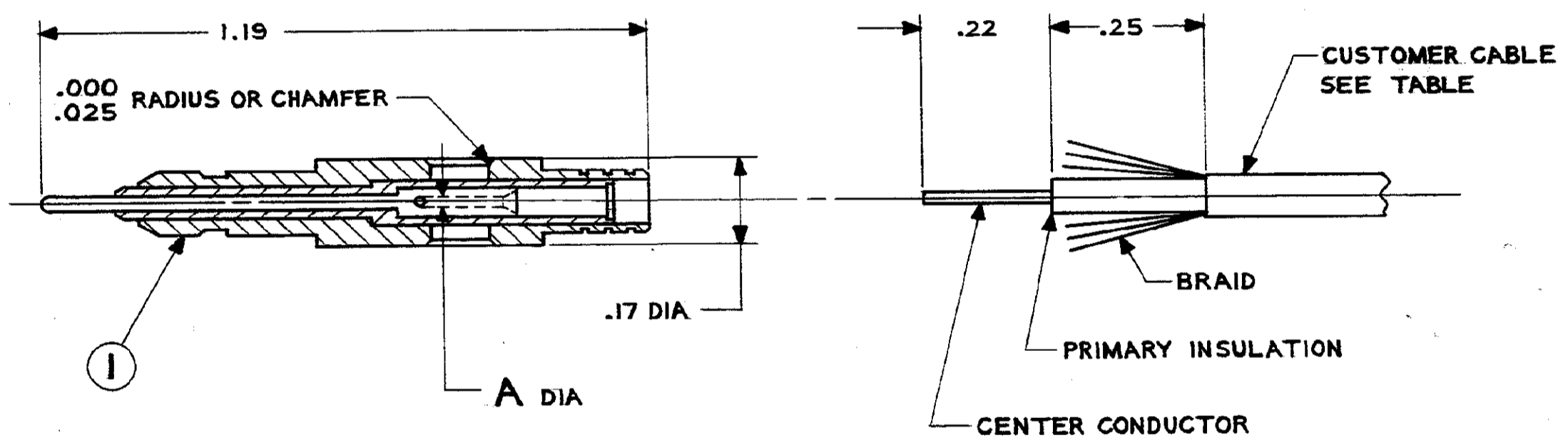
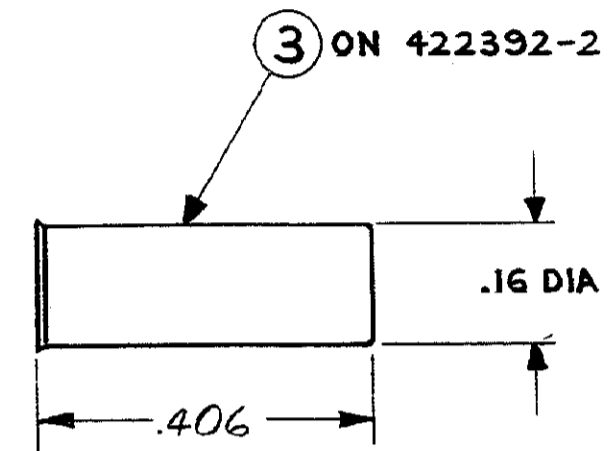
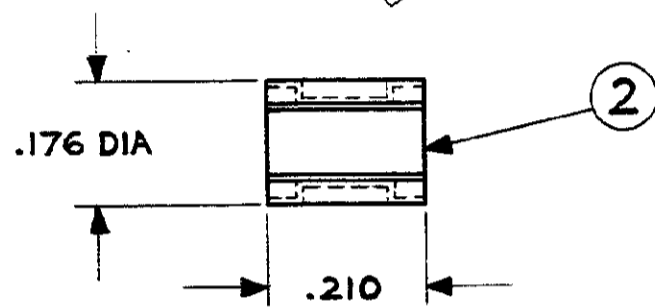
© COPYRIGHT 1970, 79 BY AMP INCORPORATED, HARRISBURG, PA.
ALL INTERNATIONAL RIGHTS RESERVED. AMP INCORPORATED PRODUCTS
COVERED BY U. S. AND FOREIGN PATENTS AND/OR PATENTS PENDING.

LOC DF DIST NO

| REVISIONS | | | | | | |
|-----------|---|------|-----|---------------------|---------|------------|
| P | F | ZONE | LTR | DESCRIPTION | DATE | APPROVED |
| ✓ | ✓ | | T | REDRAWN & REVISED | EA 1272 | 7-24-79 JM |
| ✓ | ✓ | | U | OBSOLETE -4 | EA 2265 | 6-6-83 DJH |
| ✓ | ✓ | | V | REV PER ECN DF-1450 | M.C. | 3-10-81 |
| ✓ | ✓ | | W | REV PER DF-2870 | BR | 3-7-90 FR |




FOR 422392-1, -3, -4 & 5



| | | | | | | | | | |
|----------|-------------|---------------|-------------------|---------------|----------|-----------|---------------|-------------------|--------------|
| | .031 - .033 | 402954 402660 | RG-316 | 328666 | 421260-2 | 422389-3 | 422392-5 | | |
| OBSOLETE | .022 - .024 | 402954 402660 | SPECIAL RAYTHEON | 328666 | | 422389-2 | -4 | | |
| | .039 - .041 | 402954 402660 | 22 OR 20 SHIELDED | 328666 | | 422389-1 | -3 | | |
| | | 402953 | 26 - 22 SHIELDED | 328666 | | | | | |
| | .025 - .028 | 402952 402659 | RG-174, 188 | 329238 | | 422388-1 | -2 | | |
| | .022 - .024 | 402954 402660 | RG-179A, 187 | 328666 | 421260-2 | 422386-1 | 422392-1 | | |
| A | | DIE SET | HAND TOOL | TYPE OF CABLE | | ③ FERRULE | ② SHIELD CLIP | ① REAR TERM. ASSY | KIT PART NO. |

⚠ PATCHCORD KIT MAY BE CRIMPED ON WIRE USING HAND TOOL OR BY USING DIE SET IN PNEUMATIC TOOL.
2. FOR ASSEMBLY OF THIS KIT SEE INSTRUCTION SHEET *15 398010.

| | | |
|---|---------------------------------------|---|
| UNLESS OTHERWISE SPECIFIED DIMENSIONS ARE IN INCHES. TOLERANCES ON: DECIMALS ±.02 ANGLES ± | CONTRACT NO |  AMP INCORPORATED Harrisburg, Pa. |
| | DR: <i>Jeffrey McClintock</i> 7-25-79 | |
| MATERIAL | CHK: <i>R. Smith</i> 8-8-79 | <h1>REAR TERMINAL KIT</h1> |
| FINISH | APPD: <i>NB Mummy</i> 8-9-79 | |
| | DSGN APPD | SIZE CODE IDENT NO DRAWING NO |
| | OTHER APPD | C 00779 422392 |
| | | SCALE 4:1 SHEET 1 |

CUSTOMER DRAWING