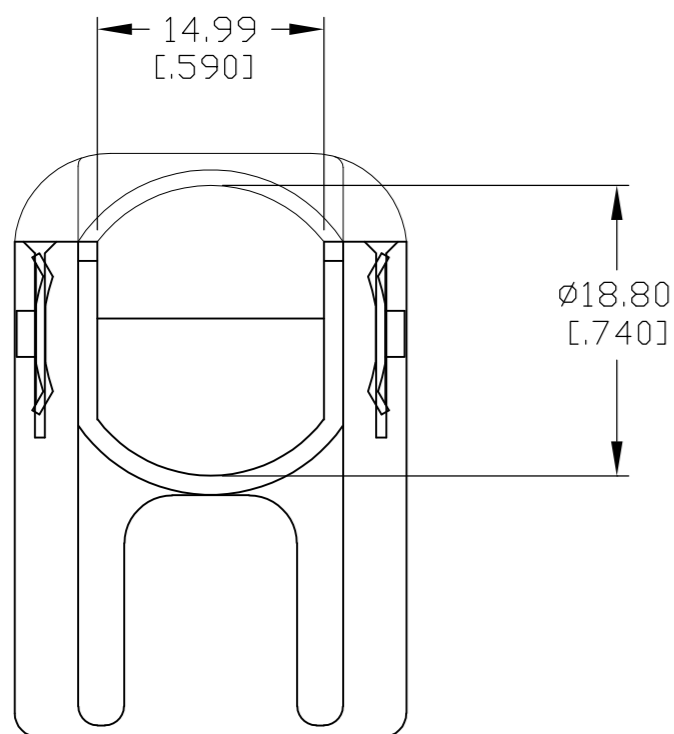
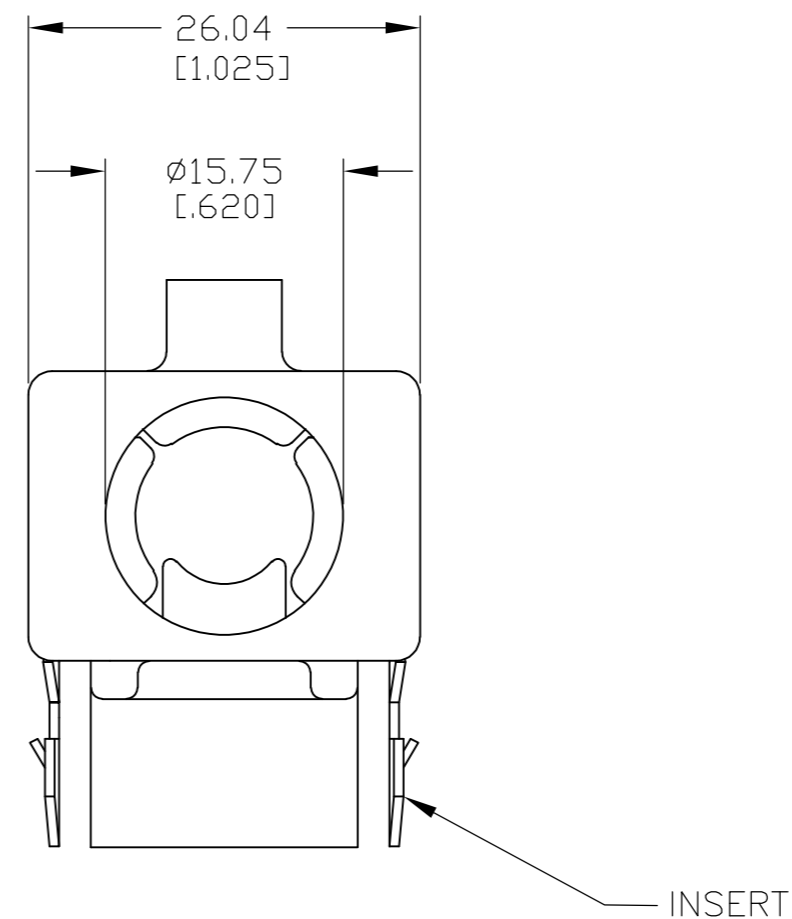
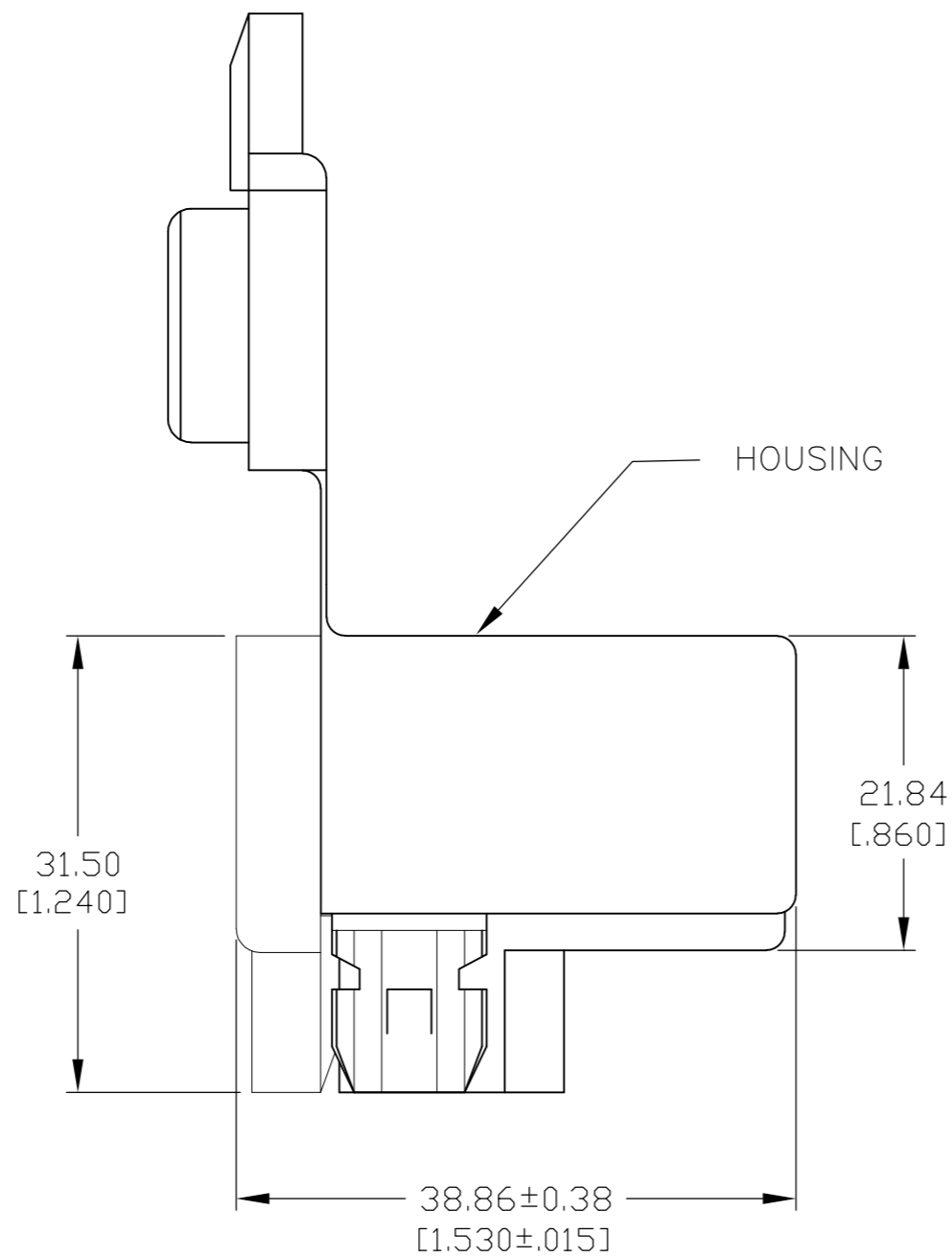
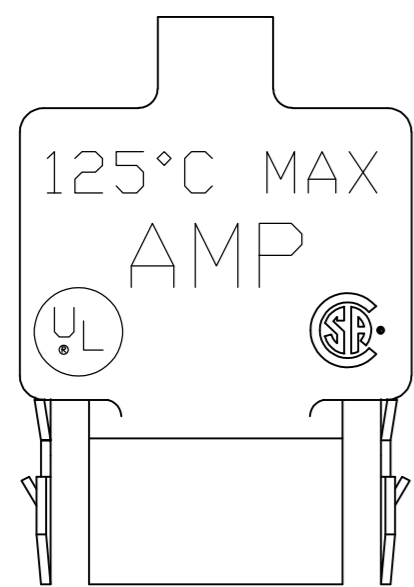


THIS DRAWING IS UNPUBLISHED. RELEASED FOR PUBLICATION  
 © COPYRIGHT - By - ALL RIGHTS RESERVED.

LOC	DIST	REVISIONS					
AA	27	P	LTR	DESCRIPTION	DATE	DWN	APVD
		G		ECR-12-012675	01AUG2012	KR	OP

- 1 FITS STANDARD KNOCKOUT 23.01  $\left[ \begin{matrix} .906 \\ .860 \end{matrix} \right]$  DIA.
- 2 PANEL RETENTION MECHANISM ACCOMMODATES PANEL THICKNESSES FROM 0.81  $[.032]$  TO 2.31  $[.091]$ .
- 3 HOUSING: NYLON, BLACK.  
INSERT: CARBON STEEL, 0.64  $[.025]$  THICK.
- 4 INSERT: 15.24 $\mu\text{m}$   $[.000600]$  MIN ZINC.



207508-1  
PART NO.

THIS DRAWING IS A CONTROLLED DOCUMENT.		DWN	L.HALL	19MAY00		TE Connectivity			
DIMENSIONS: mm [INCHES]		CHK	L.H.SMITH	20JUN00		NAME			
TOLERANCES UNLESS OTHERWISE SPECIFIED:		APVD	F. LINCOLN	20JUN00		CONNECTOR ASSEMBLY, .375 x 90° FLEXIBLE CONDUIT			
0 PLC ± 1 PLC ± 2 PLC ± 0.38 [.015] 3 PLC ± 4 PLC ± ANGLES ±		PRODUCT SPEC	APPLICATION SPEC			SIZE	CAGE CODE	DRAWING NO	RESTRICTED TO
MATERIAL	FINISH	WEIGHT	A2 00779		C=207508				
CUSTOMER DRAWING		SCALE	1:1		SHEET	1 of 1		REV	G