

SPECIFICATIONS

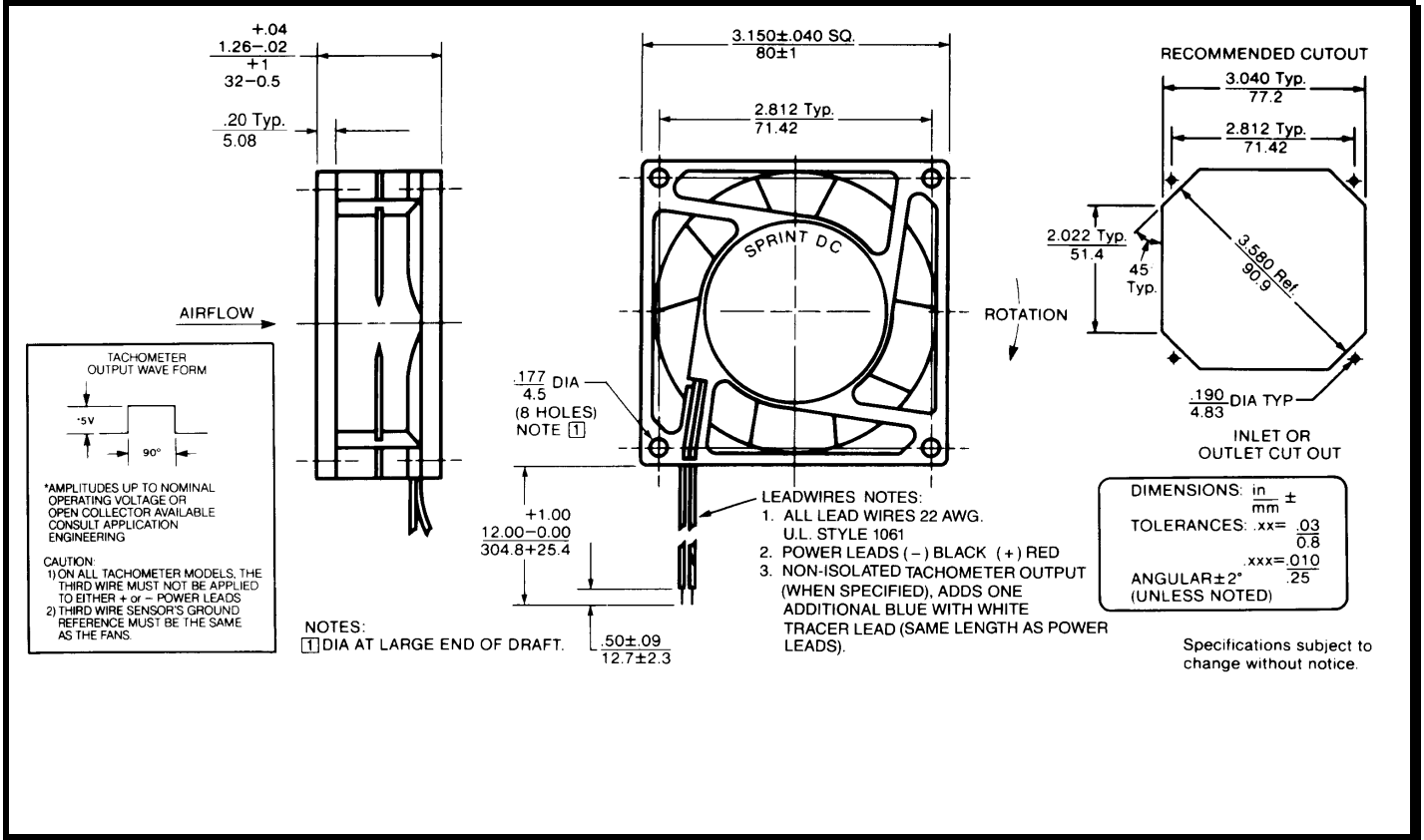
(RoHS Compliant)

Model Number ST24K3
Part Number: 19030614A

SPEC NUMBER: 26013851A01
Jan.01.2013



Mechanical Drawing:



Motor:

Nominal Voltage = 24 vdc
 Operating Voltage Range = 12 - 28 vdc
 Nominal Running Current = .190 amps
 Max. Locked Rotor Current = .650 amps
 Running Power = 4.5 watts
 Average Speed = 4200 RPM
 Bearings = Ball
 Air Flow = 40 CFM
 Acoustics: = 44.2 dBA

Construction:

Venturi: Plastic, Black, UL 94V-0.
 Propeller: Polypropylene, Black, UL 94V-0

Life Expectancy:

This fan is designed for continuous duty life of 55,000 hours at 40°C.

Agency Certification:

UL

Additional Features:

Brushless DC Motor
 Electronic Locked Rotor Protected
 Automatic Restart Capability
 Polarity Protected
 Operating Temperature: -10°C to 70°C
 Storage Temperature: -40°C to 85°C

Termination:

12" Lead wires, 22 AWG, UL 1061 Style
 Red = Fan Power
 Black = Fan Ground