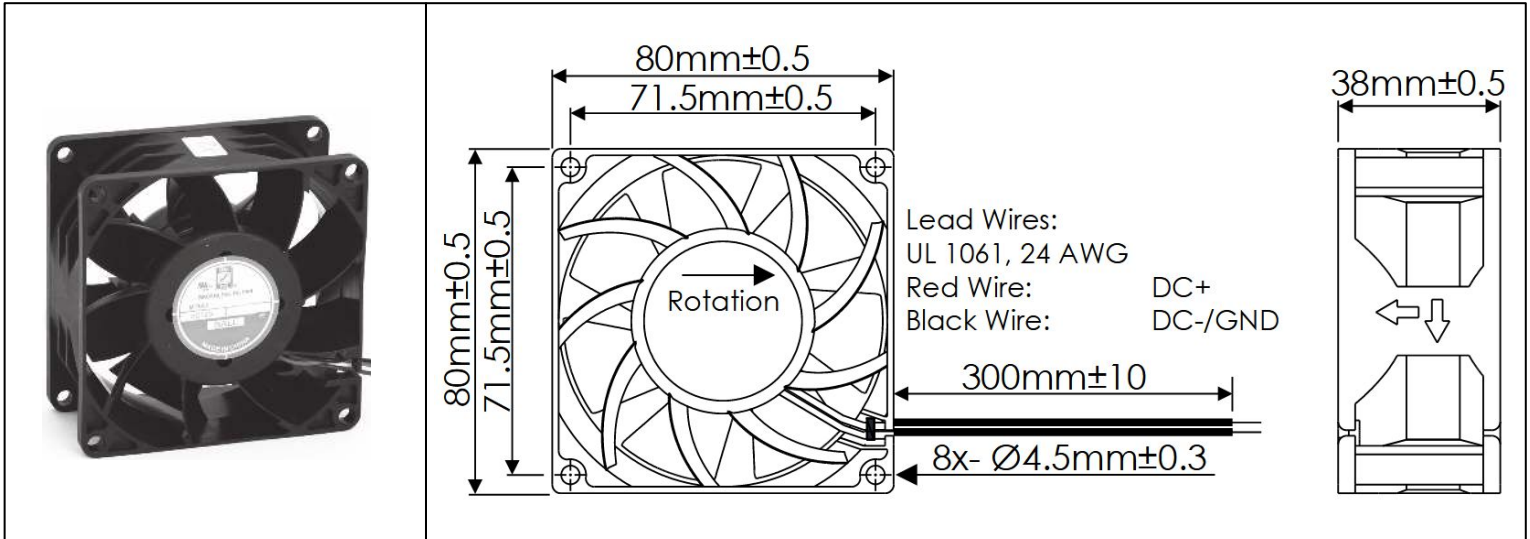


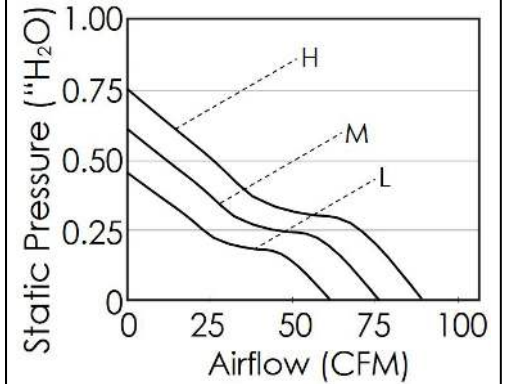
OD8038 VXC Series



DC Fans - 12, 24, 48V
80mm x 38mm (3.15" x 1.5")



Frame	PBT, UL94 V-0 Plastic	<u>Operating Temperature</u> -10°C ~ +70°C <u>Storage Temperature</u> -40°C ~ +75°C <u>Life Expectancy</u> 70,000 Hours (L10 at 40°C) <u>Available Options</u> PWM Speed Control Input Tachometer Output Alarm Output IP Ratings Weight: 0.48 lbs.
Impeller	PBT, UL94 V-0 Plastic	
Connection	2x Wire Leads, 24 AWG	
Motor	Brushless DC, Auto Cutoff, Auto Restart, Electronically Protected, Polarity Protected	
Bearing System	Ball Bearings	
Dielectric Strength	500VDC/min, <1mA	
Insulation Resistance	≥10M Ohm @500 VDC	

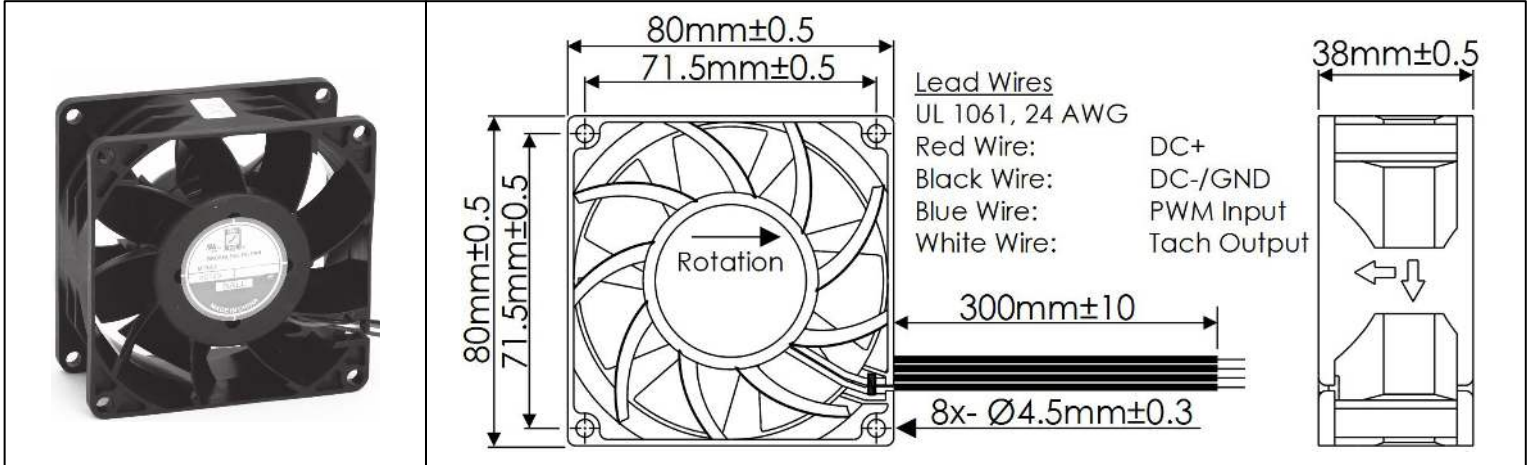


Part Number	Rated Voltage (Volts DC)	Voltage Range (Volts DC)	Input Power (Watts)	Rated Current (Amps)	Rated Speed (RPM)	Max Airflow (CFM)	Noise Level (dBA)	Max Static Pressure (\"H ₂ O)
OD8038-12HBVXC	12	11 ~ 13.8	18.0	1.50	6200	89	62.5	0.75
OD8038-12MBVXC	12	11 ~ 13.8	14.4	1.20	5500	76	58.6	0.59
OD8038-12LBVXC	12	11 ~ 13.8	9.6	0.80	4800	65	56.4	0.45
OD8038-24HBVXC	24	22 ~ 25	15.6	0.65	6200	89	62.5	0.75
OD8038-24MBVXC	24	22 ~ 25	12.5	0.52	5500	76	58.6	0.59
OD8038-24LBVXC	24	22 ~ 25	9.0	0.40	4800	65	56.4	0.45
OD8038-48HBVXC	48	45 ~ 50	17.3	0.36	6200	89	62.5	0.75
OD8038-48MBVXC	48	45 ~ 50	14.4	0.30	5500	76	58.6	0.59
OD8038-48LBVXC	48	45 ~ 50	10.6	0.22	4800	65	56.4	0.45

OD8038 VXC Series with PWM and Tach

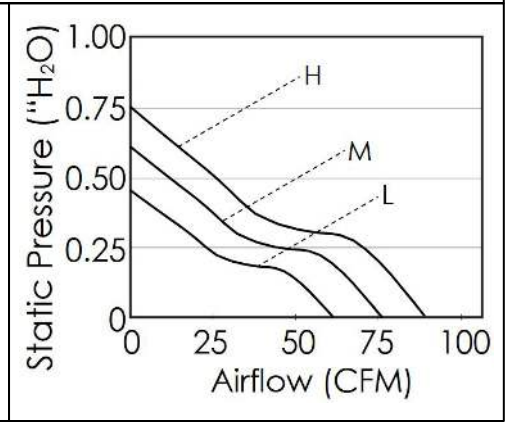


DC Fans - 12, 24, 48V
80mm x 38mm (3.15" x 1.5")

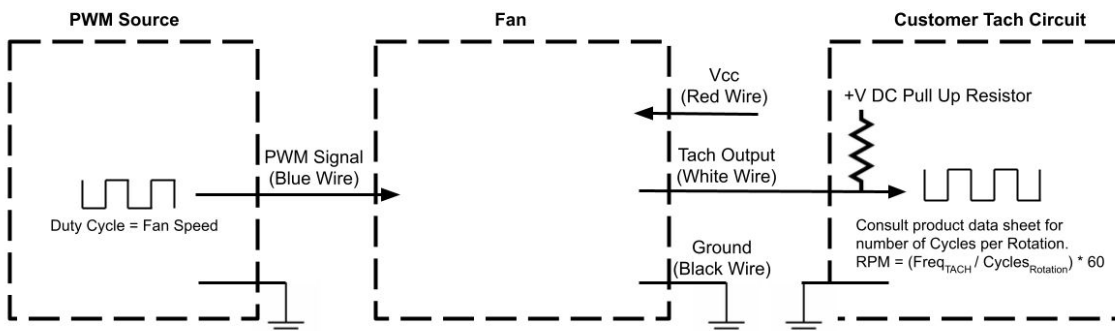


Frame	PBT, UL94 V-0 Plastic
Impeller	PBT, UL94 V-0 Plastic
Connection	4x Wire Leads, 24 AWG
Motor	Brushless DC, Auto Cutoff, Auto Restart, Electronically Protected, Polarity Protected
Bearing System	Ball Bearings
Dielectric Strength	500VDC/min, <1mA
Insulation Resistance	≥10M Ohm @500 VDC

Operating Temperature	-10°C ~ +70°C
Storage Temperature	-40°C ~ +75°C
Life Expectancy	70,000 Hours (L10 at 40°C)
Installed Options	PWM Speed Control Input Open Collector Tach Output
Weight:	0.48 lbs.



Part Number	Rated Voltage (Volts DC)	Voltage Range (Volts DC)	Input Power (Watts)	Rated Current (Amps)	Rated Speed (RPM)	Max Airflow (CFM)	Noise Level (dBA)	Max Static Pressure ("H ₂ O)
OD8038-12HBVXC10A	12	11 ~ 13.8	18.0	1.50	6200	89	62.5	0.75
OD8038-12MBVXC10A	12	11 ~ 13.8	14.4	1.20	5500	76	58.6	0.59
OD8038-12LBVXC10A	12	11 ~ 13.8	9.6	0.80	4800	65	56.4	0.45
OD8038-24HBVXC10A	24	22 ~ 25	15.6	0.65	6200	89	62.5	0.75
OD8038-24MBVXC10A	24	22 ~ 25	12.5	0.52	5500	76	58.6	0.59
OD8038-24LBVXC10A	24	22 ~ 25	9.0	0.40	4800	65	56.4	0.45
OD8038-48HBVXC10A	48	45 ~ 50	17.3	0.36	6200	89	62.5	0.75
OD8038-48MBVXC10A	48	45 ~ 50	14.4	0.30	5500	76	58.6	0.59
OD8038-48LBVXC10A	48	45 ~ 50	10.6	0.22	4800	65	56.4	0.45

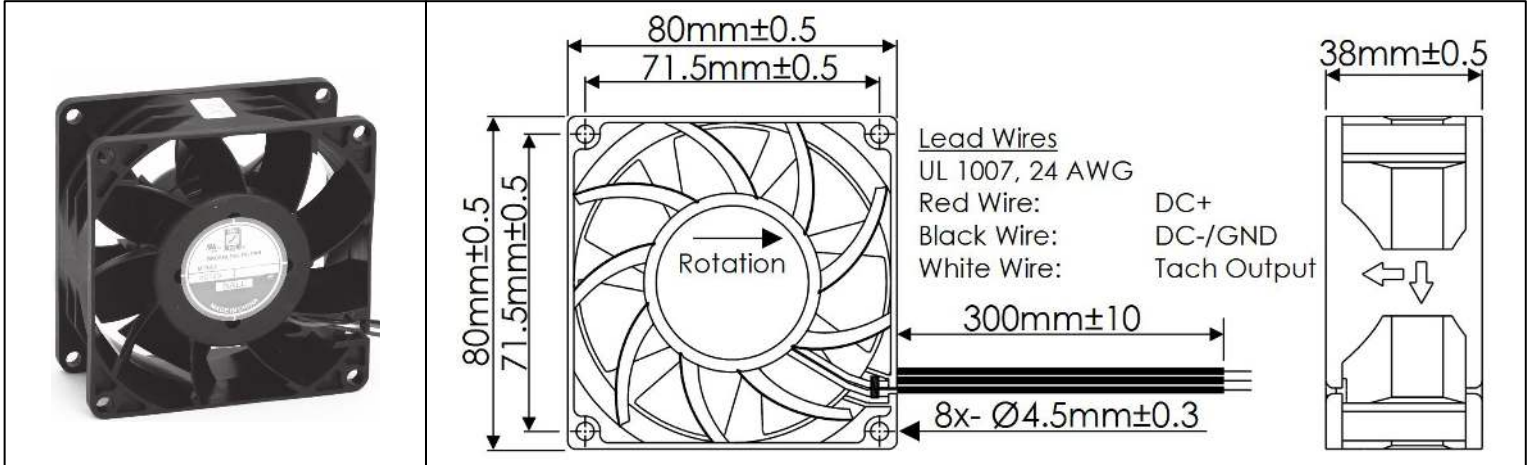


Tach Max Pullup Voltage: Fan Vcc
 Tach Max Sink Current: 5mA
 Tach Cycles per Rotation: 2
 PWM Max High Voltage: 5V
 PWM Max Sink Current: 5mA
 PWM Frequency Range: 18KHz-30KHz
 PWM Typical Frequency: 25KHz
 RPM at 0% Duty Cycle: 25% RPM
 RPM will be full speed if PWM input is disconnected.

OD8038 VXC Series with Tach



DC Fans - 12, 24, 48V
80mm x 38mm (3.15" x 1.5")



Frame	PBT, UL94 V-0 Plastic
Impeller	PBT, UL94 V-0 Plastic
Connection	3x Wire Leads, 24 AWG
Motor	Brushless DC, Auto Cutoff, Auto Restart, Electronically Protected, Polarity Protected
Bearing System	Ball Bearings
Dielectric Strength	500VDC/min, <1mA
Insulation Resistance	≥10M Ohm @500 VDC

Operating Temperature
-10°C ~ +70°C

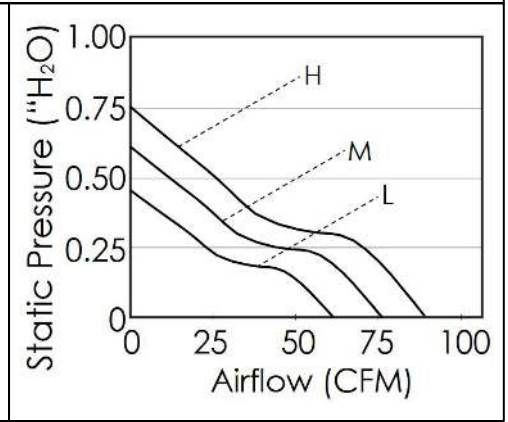
Storage Temperature
-40°C ~ +75°C

Life Expectancy
70,000 Hours (L10 at 40°C)

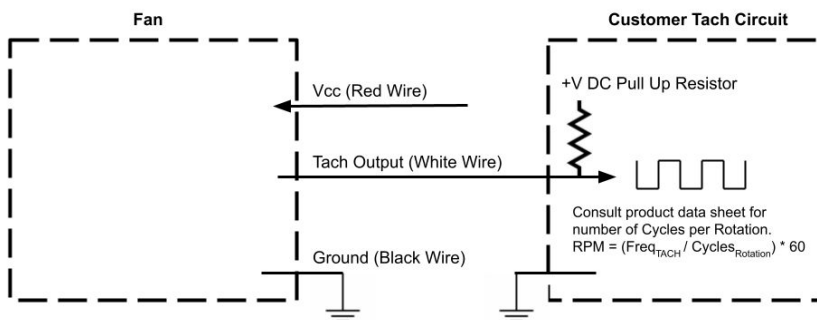
Installed Options
Open Collector Tach Output

Available Options
5V TTL Tach Output

Weight: 0.48 lbs.



Part Number	Rated Voltage (Volts DC)	Voltage Range (Volts DC)	Input Power (Watts)	Rated Current (Amps)	Rated Speed (RPM)	Max Airflow (CFM)	Noise Level (dBA)	Max Static Pressure (\"H ₂ O)
OD8038-12HBVXC01A	12	11 ~ 13.8	18.0	1.50	6200	89	62.5	0.75
OD8038-12MBVXC01A	12	11 ~ 13.8	14.4	1.20	5500	76	58.6	0.59
OD8038-12LBVXC01A	12	11 ~ 13.8	9.6	0.80	4800	65	56.4	0.45
OD8038-24HBVXC01A	24	22 ~ 25	15.6	0.65	6200	89	62.5	0.75
OD8038-24MBVXC01A	24	22 ~ 25	12.5	0.52	5500	76	58.6	0.59
OD8038-24LBVXC01A	24	22 ~ 25	9.0	0.40	4800	65	56.4	0.45
OD8038-48HBVXC01A	48	45 ~ 50	17.3	0.36	6200	89	62.5	0.75
OD8038-48MBVXC01A	48	45 ~ 50	14.4	0.30	5500	76	58.6	0.59
OD8038-48LBVXC01A	48	45 ~ 50	10.6	0.22	4800	65	56.4	0.45



Tach Max Pullup Voltage: Fan Vcc
Tach Max Sink Current: 5mA
Tach Cycles per Rotation: 2