

RH-MK | Folding handles

Steel

METRIC



MATERIAL

Round cross section steel bar, ground surface, chrome-plated mirror finish.

MOUNTING

Zinc-plated washers and nuts, included in the supply.

STOP SPRING

To keep the handle open or folded back.

SPECIAL EXECUTIONS ON REQUEST

Plastic coating, smooth finish, black colour.



RH-EK | Folding handles

Stainless steel

METRIC



MATERIAL

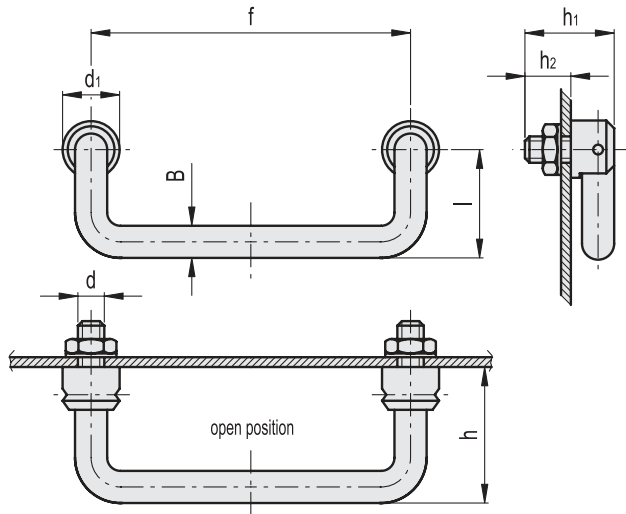
AISI 303 stainless steel bar,

STOP SPRING

Stainless steel, to keep the handle open or folded back.

MOUNTING

Stainless steel nuts and washers, included in the supply.



Conversion Table	
1 mm = 0.039 inch	
mm	inch
100	3.94
120	4.72
180	7.09
250	9.84

Code	METRIC									
	f	d	h2	d1	B	h	h1	l	Δ	Δ
RHMK-10.100.22	100	M10x1	14	18	10	44	28	34	160	
RHMK-10.120.22	120	M10x1	14	18	10	44	28	34	171	
RHMK-10.180.22	180	M10x1	14	18	10	44	28	34	204	

Code	INOX STAINLESS STEEL					METRIC				
	f	d	h2	B	h	l	d1	h1	Δ	Δ
RHEK-10.100.31	100	M10x1	14	10	44	34	18	28	134	
RHEK-10.120.31	120	M10x1	14	10	44	34	18	28	170	
RHEK-10.180.31	180	M10x1	14	10	44	34	18	28	208	
RHEK-20.250.33	250	M20x2	28	20	86	68	36	56	1325	

- 1
- 2
- 3
- 4
- 5
- 6
- 7
- 8
- 9
- 10
- 11
- 12
- 13
- 14
- 15
- 16
- 17
- 18

Lift & Pull handles