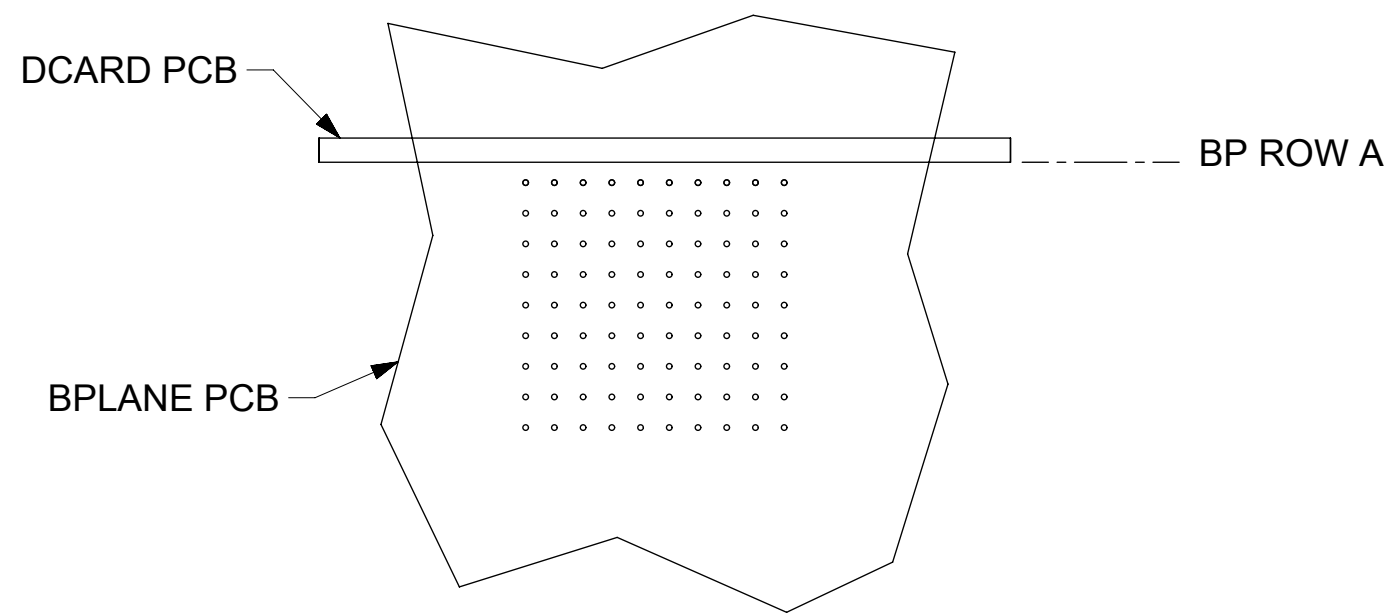
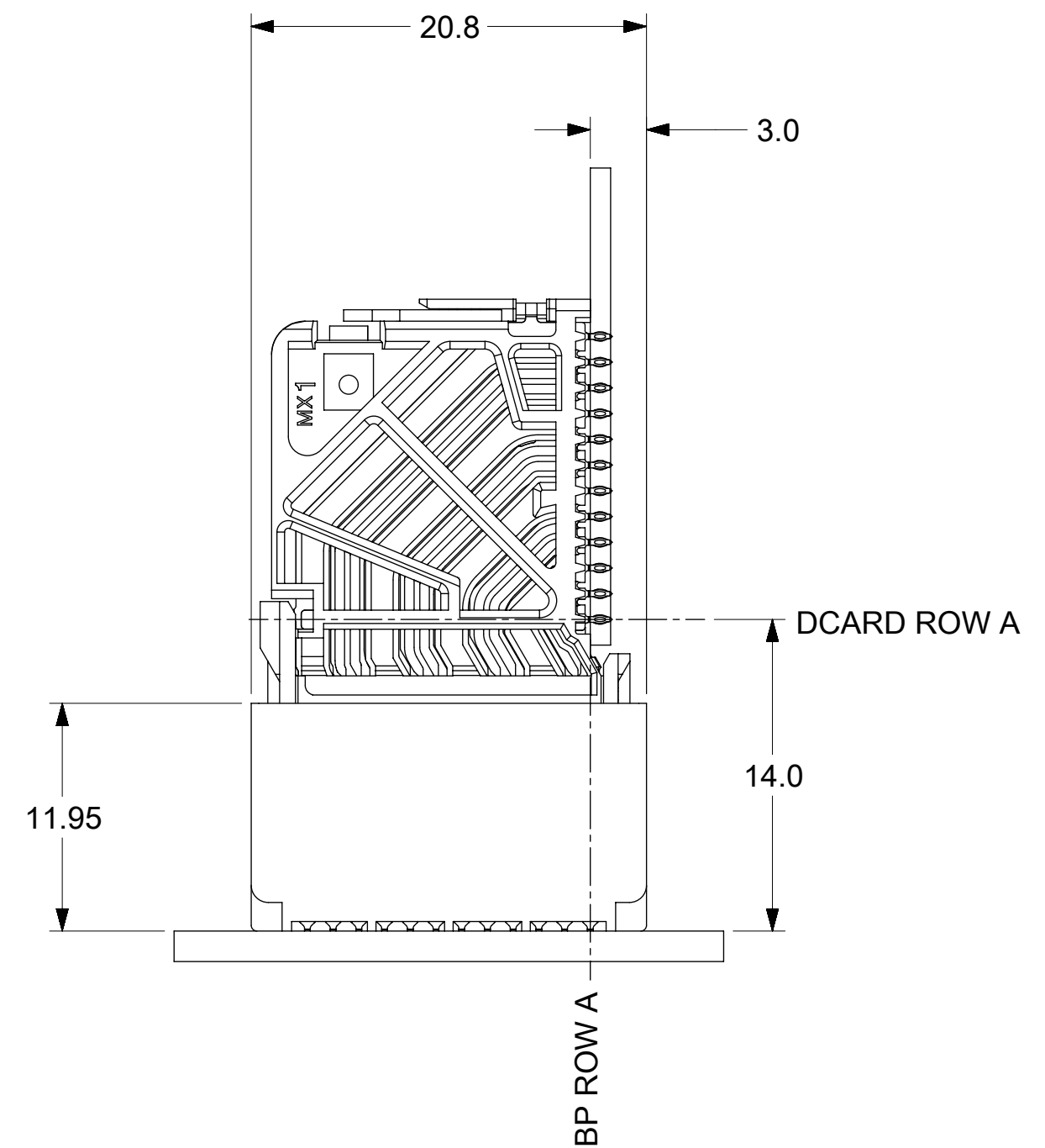
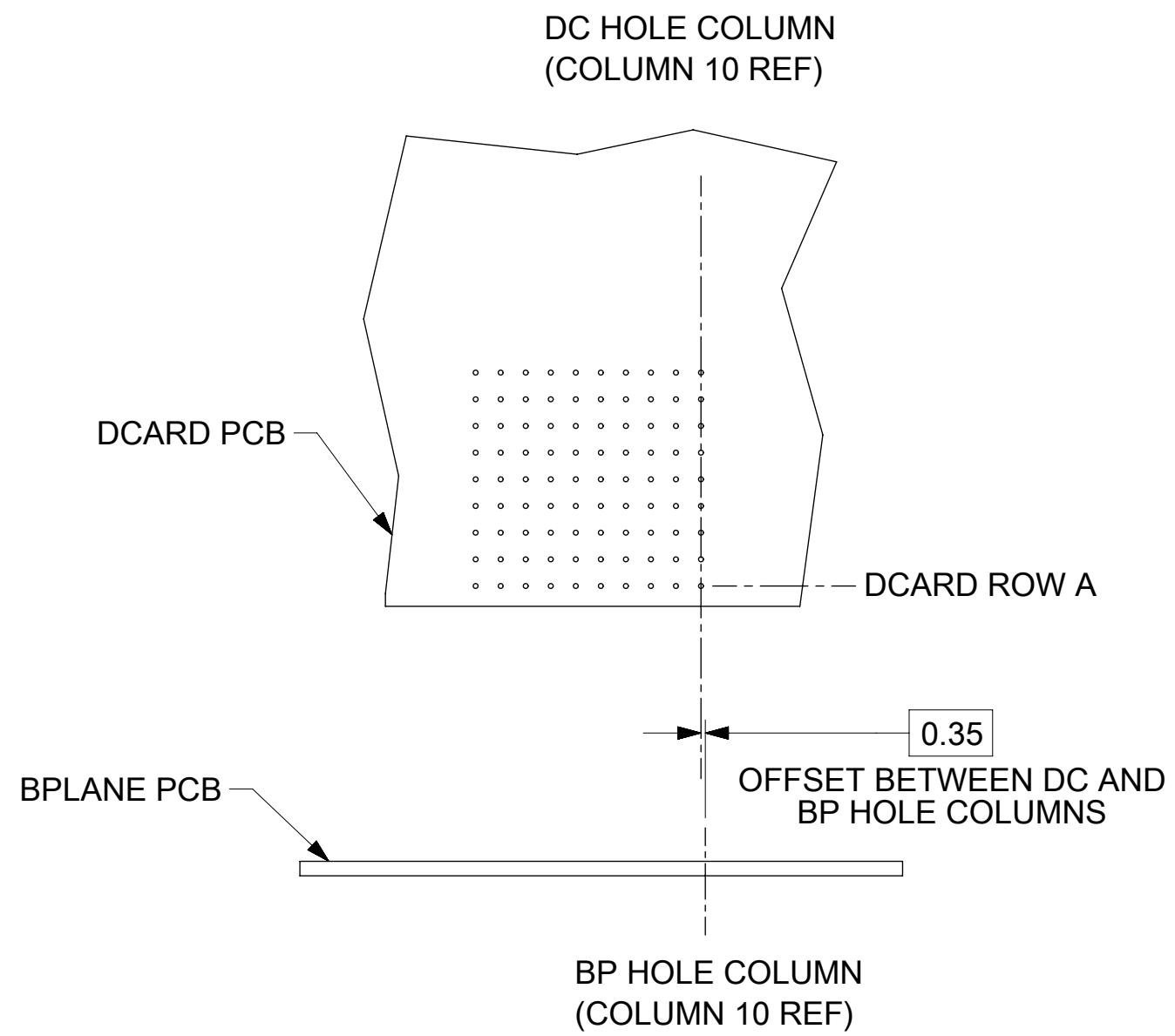


- NOTES:**
1. MATERIALS: HOUSING - LIQUID CRYSTAL POLYMER (LCP)
GLASS-FILLED, UL94V-0
TERMINALS - HIGH PERFORMANCE COPPER ALLOY
 2. FINISH: 10 μINCH MIN GOLD IN CONTACT AREA.
SELECTIVE MATE TIN ON PCB TAILS, NICKEL OVERALL.
 3. REFER TO MOLEX PRODUCT SPECIFICATION PS-76060-999 FOR PERFORMANCE SPECIFICATIONS AND ADDITIONAL PCB INFORMATION.
 4. THIS PART CONFORMS TO CLASS B REQUIREMENTS OF MOLEX COSMETIC SPEC PS-45499-002.
 5. PARTS PACKAGED PER PK-70873-7701.
 6. SEE SHEETS 2 & 3 FOR PART NUMBERS AND BOARD RELATIONSHIPS.
 7. MATES WITH IMPACT DC SERIES NO. 76160.
 8. REFER TO MOLEX PCB ROUTING GUIDE AS-76060-990 FOR ANTIPAD AND ROUTING RECOMMENDATIONS.
 9. "THESE DIMENSIONS REPRESENT THE AREA NEEDED TO ACCOMMODATE CONNECTOR INSERTION AND REPAIR ON THE PC BOARD. THIS IS REFERRED TO AS THE "CONNECTOR KEEP OUT ZONE" AND DOES NOT REPRESENT THE ACTUAL PERIMETER OF THE CONNECTOR. WHEN LAYING OUT A PC BOARD FOR CONNECTORS STACKED TOGETHER. USE A 1.9mm PROGRESSION."

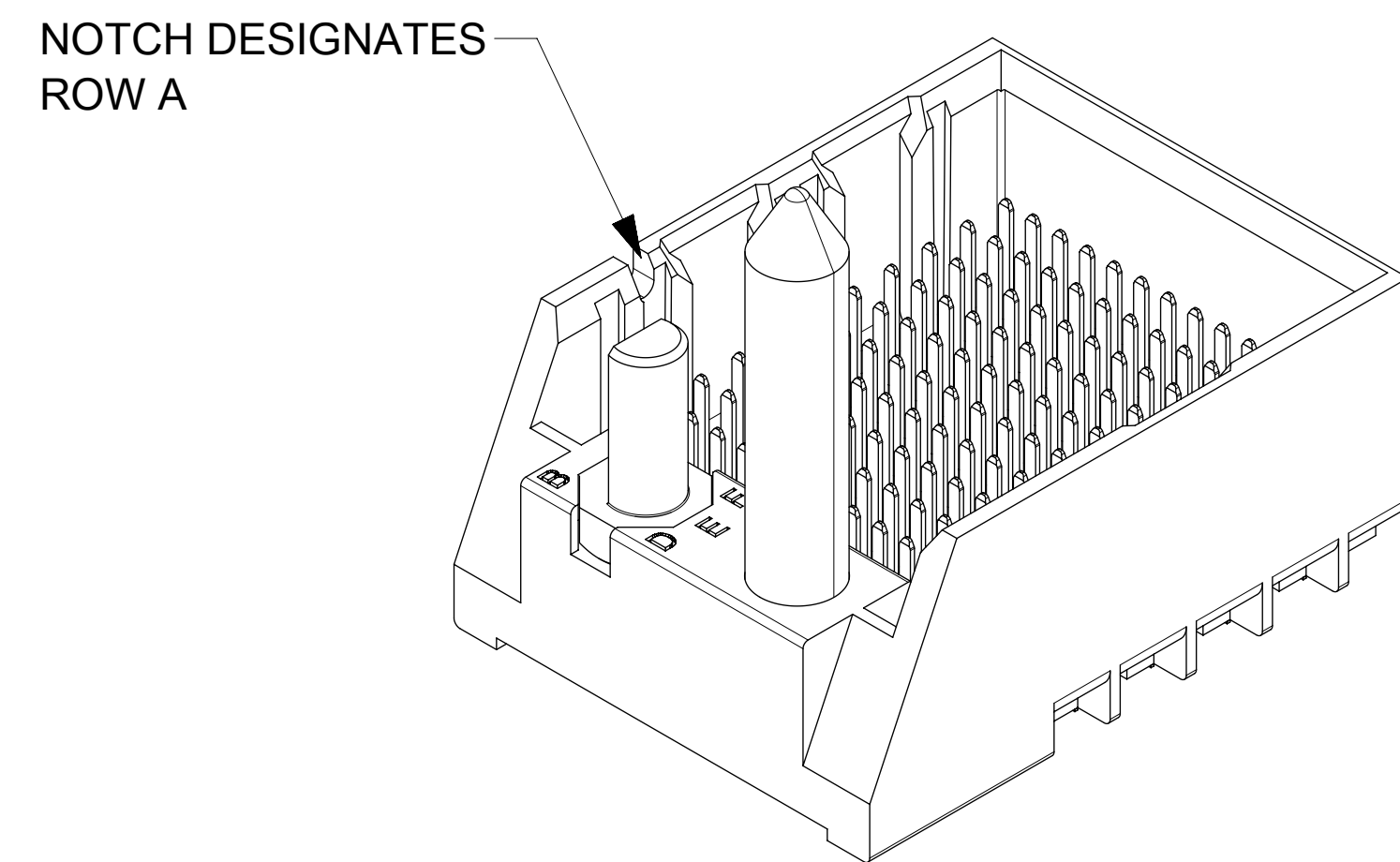
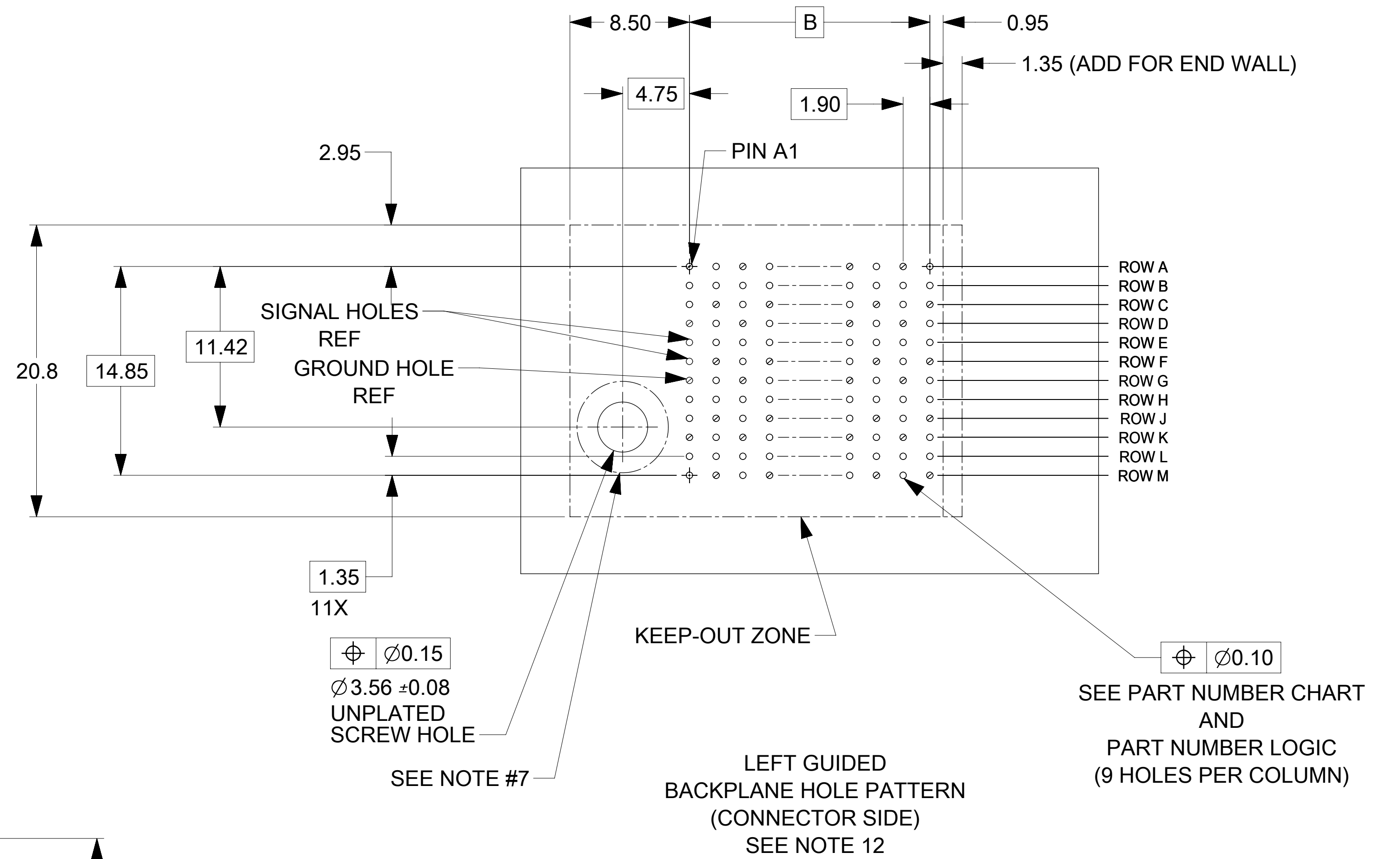
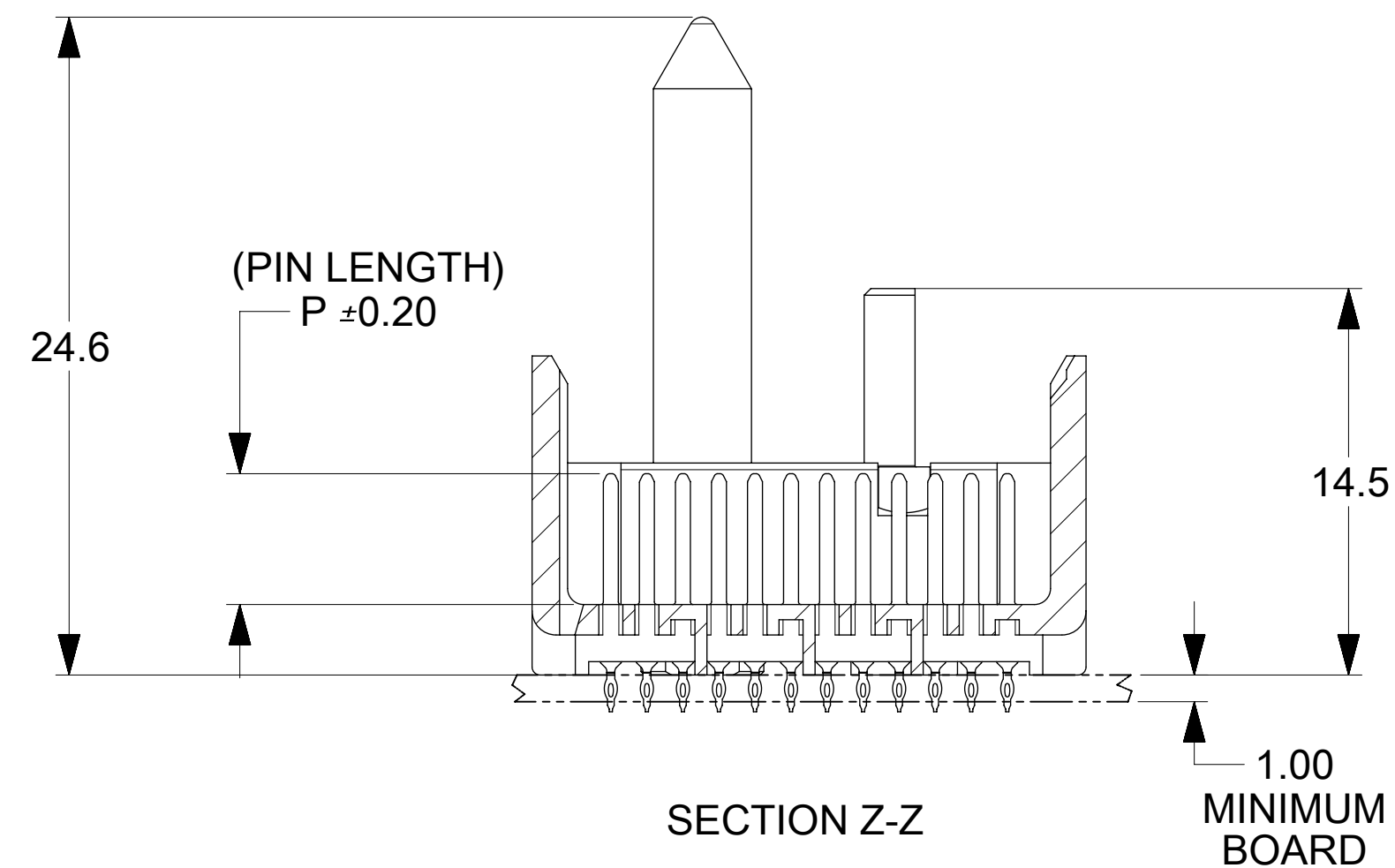
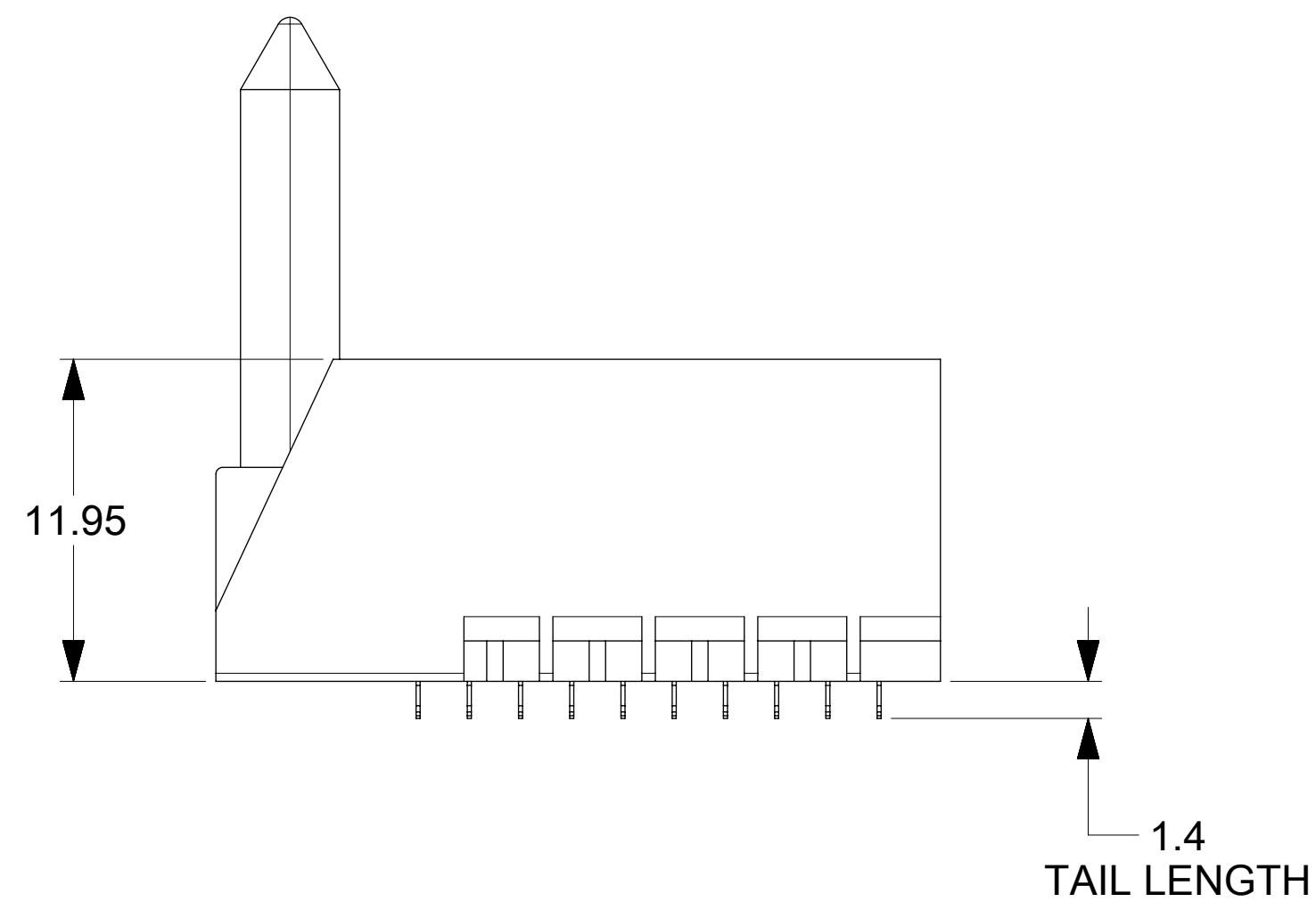
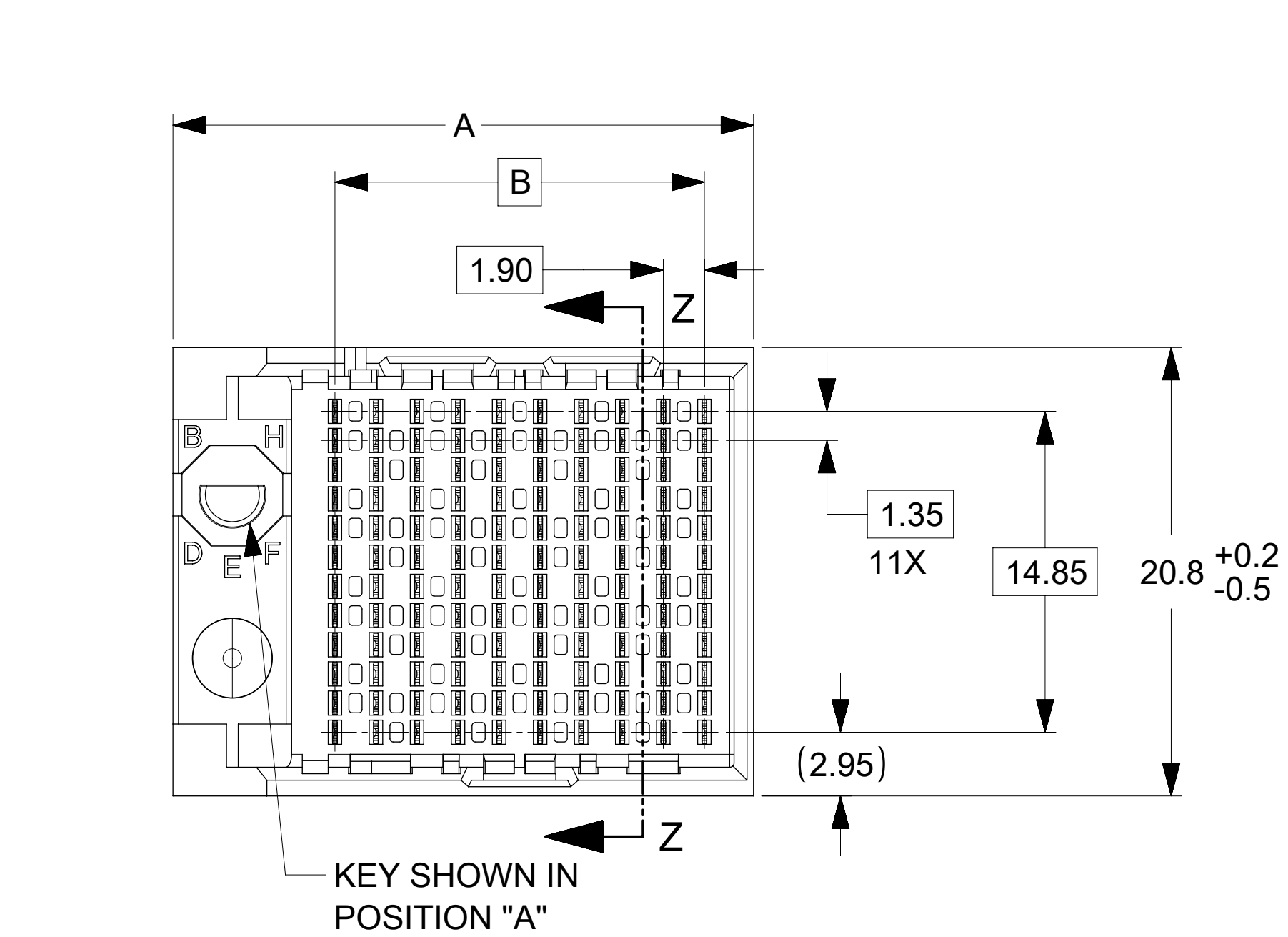
QUALITY SYMBOLS	THIS DRAWING CONTAINS INFORMATION THAT IS PROPRIETARY TO MOLEX ELECTRONIC TECHNOLOGIES, LLC AND SHOULD NOT BE USED WITHOUT WRITTEN PERMISSION		
▽ = 0	EC NO: 123322 DRWN: NSRVATSAHS 2017/10/06 CHKD: PRAMASWAMY 2017/10/17 APPR: PRAMASWAMY 2017/10/18 MIGRATED TO NX	GENERAL TOLERANCES (UNLESS SPECIFIED)	DIMENSION UNITS
▽ = 0		ANGULAR TOL ± 0.5 °	mm
▽ = 0		4 PLACES ±	SCALE
▼ = 0		3 PLACES ±	4:1
▽ = 0		2 PLACES ± 0.13	DRWN BY
⊠ = 0		1 PLACE ± 0.25	DATE
■ = 0		0 PLACES ±	GES 2012/05/22
▽ = 0		DRAFT WHERE APPLICABLE MUST REMAIN WITHIN DIMENSIONS	CHKD BY
			DATE
			PRAMASWAMY 2017/10/17
		APPR BY	
		DATE	
		RNELSON 2012/06/04	
		DRAWING SIZE	
		THIRD ANGLE PROJECTION	
		C	
		SERIES	
		MATERIAL NUMBER	
		CUSTOMER	
		171294	
		SEE CHART	
		GENERAL MARKET	
		DOCUMENT NUMBER	
		SD-171294-0001	
		DOC TYPE	
		PSD	
		DOC PART	
		001	
		SHEET NUMBER	
		1 OF 3	



**IMPACT 4 PAIR
BOARD RELATIONSHIPS**



QUALITY SYMBOLS		THIS DRAWING CONTAINS INFORMATION THAT IS PROPRIETARY TO MOLEX ELECTRONIC TECHNOLOGIES, LLC AND SHOULD NOT BE USED WITHOUT WRITTEN PERMISSION									
▽ = 0	▽ = 0	MIGRATED TO NX EC NO: 123322 DRWN: NSRVATSAHS CHKD: PRAMASWAMY REV / APPR: PRAMASWAMY	GENERAL TOLERANCES (UNLESS SPECIFIED)			DIMENSION UNITS	SCALE	molex			
▽ = 0	▽ = 0		ANGULAR TOL ± 0.5 °			mm	3:1				
▽ = 0	▽ = 0		4 PLACES ±			DRWN BY	DATE	IMPACT 4 PAIR BACKPLANE UNGUIDED ASSEMBLY SALES DRAWING			
▽ = 0	▽ = 0		3 PLACES ±			GES	2012/05/22				
▽ = 0	▽ = 0		2 PLACES ± 0.13			CHKD BY	DATE	PRODUCT CUSTOMER DRAWING			
▽ = 0	▽ = 0		1 PLACE ± 0.25			PRAMASWAMY	2017/10/17				
▽ = 0	▽ = 0	0 PLACES ±			APPR BY	DATE	SERIES MATERIAL NUMBER CUSTOMER 171294 SEE CHART GENERAL MARKET				
▽ = 0	▽ = 0	DRAFT WHERE APPLICABLE MUST REMAIN WITHIN DIMENSIONS			RNELSON	2012/06/04					
▽ = 0	▽ = 0	DRAWING SIZE	THIRD ANGLE PROJECTION			DRAWING SIZE		THIRD ANGLE PROJECTION		DOCUMENT NUMBER	
		C	C			C		SD-171294-0001		DOC TYPE DOC PART SHEET NUMBER PSD 001 3 OF 3	

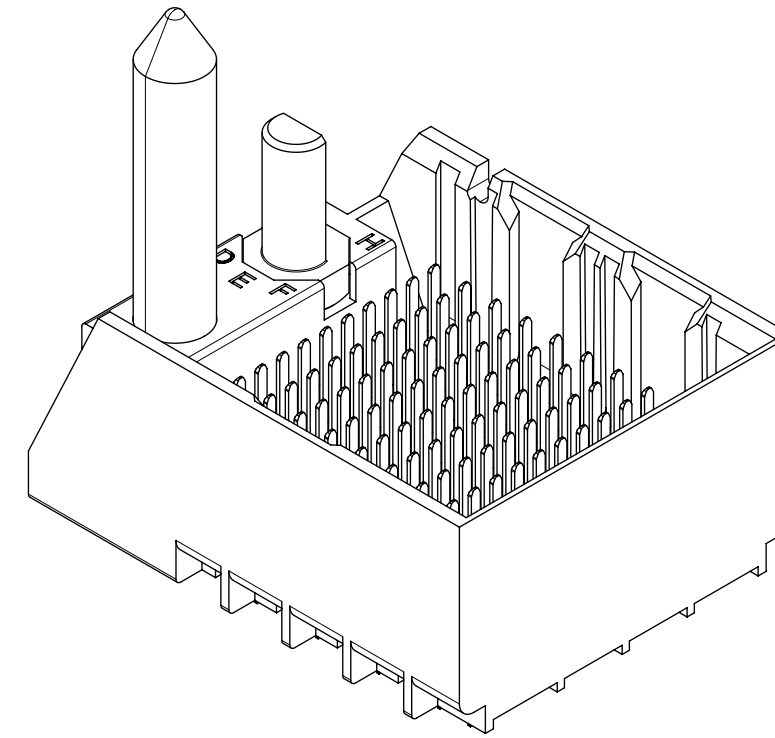


- NOTES:
- MATERIALS: HOUSING - LIQUID CRYSTAL POLYMER (LCP)
GLASS-FILLED, UL94V-0
TERMINALS - HIGH PERFORMANCE COPPER ALLOY
 - FINISH: 10 μINCH MIN GOLD IN CONTACT AREA.
SELECTIVE MATTE TIN ON PCB TAILS, NICKEL OVERALL.
 - REFER TO MOLEX PRODUCT SPECIFICATION PS-76060-999 FOR PERFORMANCE SPECIFICATIONS AND ADDITIONAL PCB INFORMATION.
 - THIS PART CONFORMS TO CLASS B REQUIREMENTS OF MOLEX COSMETIC SPEC PS-45499-002.
 - PARTS PACKAGEE PER PK-70873-757.
 - SEE SHEETS 2 & 3 FOR PART NUMBERS AND BOARD RELATIONSHIPS.
 - FOR GROUNDED GUIDE PINS USE DIA. 3.56 +/-0.08 (PTH)
DIA. 3.66 (DRILL) AND DIA 6.5 (PAD).
 - MATES WITH IMPACT DC SERIES NO. 76160.
 - KEEP OUT ZONE FOR BP HOUSING LENGTH INCLUDES AN ADDITIONAL 1.0MM TO ACCOMMODATE FOR SPACE REQUIRED BY DC FRONT HOUSING.
 - REFER TO MOLEX PCB ROUTING GUIDE AS-76060-990 FOR ANTI PAD AND ROUTING RECOMMENDATIONS.
 - CONNECTORS SUPPLIED WITH A 2-56 UNC-2A SCREW.
 - "THESE DIMENSIONS REPRESENT THE AREA NEEDED TO ACCOMMODATE CONNECTOR INSERTION AND REPAIR ON THE PC BOARD. THIS IS REFERRED TO AS THE "CONNECTOR KEEP OUT ZONE" AND DOES NOT REPRESENT THE ACTUAL PERIMETER OF THE CONNECTOR. WHEN LAYING OUT A PC BOARD FOR CONNECTORS STACKED TOGETHER, USE A 1.9mm PROGRESSION."

THIS DRAWING CONTAINS INFORMATION THAT IS PROPRIETARY TO MOLEX ELECTRONIC TECHNOLOGIES, LLC AND SHOULD NOT BE USED WITHOUT WRITTEN PERMISSION										
QUALITY SYMBOLS	MIGRATED TO NX				GENERAL TOLERANCES (UNLESS SPECIFIED)	DIMENSION UNITS	SCALE			
▽ = 0 ▽ = 0 ▽ = 0 ▽ = 0 ▽ = 0 ▽ = 0 ▽ = 0 ▽ = 0	EC NO: 123322 DRWN: NSRIVATSAHS CHKD: PRAMASWAMY REV APPR: PRAMASWAMY	2017/10/09 2017/10/17 2017/10/18	4 PLACES ± 3 PLACES ± 2 PLACES ± 0.13 1 PLACE ± 0.25 0 PLACES ±	DIMENSION UNITS: mm SCALE: 4:1	DRWN BY: JBINGHAM DATE: 2011/11/18 CHKD BY: JLAURX DATE: 2011/11/18 APPR BY: JLAURX DATE: 2011/12/02	PRODUCT CUSTOMER DRAWING				
RELEASE STATUS: P1		RELEASE DATE: 18.10.2017 06:14:28		DRAFT WHERE APPLICABLE MUST REMAIN WITHIN DIMENSIONS		DRAWING SIZE: D	THIRD ANGLE PROJECTION	SERIES: 171294	MATERIAL NUMBER: SEE CHART	CUSTOMER: GENERAL MARKET
DOCUMENT NUMBER: SD-171294-0002								DOC TYPE: PSD	DOC PART: 001	SHEET NUMBER: 1 OF 3

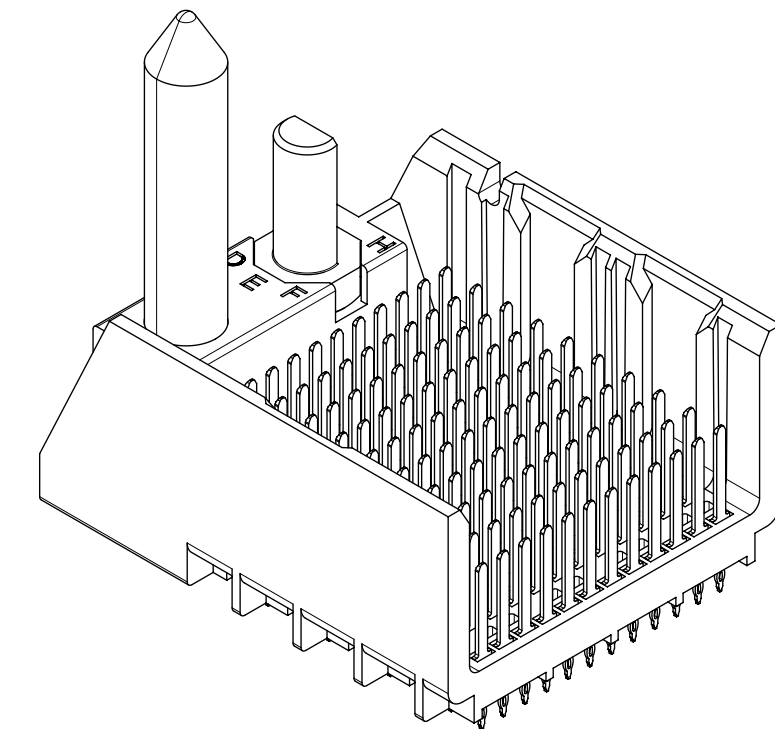
PART NUMBER CHART

MATERIAL NUMBER	# OF COLUMNS	# OF DIFF PAIR	DIM "A"	DIM "B"	GUIDE LEFT END WALL OPTION
171294-73**	6	24	19.3	9.50	
171294-78**	8	32	23.1	13.30	
171294-71**	10	40	26.9	17.10	
171294-76**	16	64	38.3	28.50	



GUIDE LEFT
END WALL
OPTION

MATERIAL NUMBER	# OF COLUMNS	# OF DIFF PAIR	DIM "A"	DIM "B"	GUIDE LEFT OPEN WALL OPTION
171294-33**	6	24	17.9	9.50	
171294-38**	8	32	21.7	13.30	
171294-31**	10	40	25.5	17.10	
171294-36**	16	64	36.9	28.50	



GUIDE LEFT
OPEN WALL
OPTION

PART NUMBER LOGIC

171294- * * * *

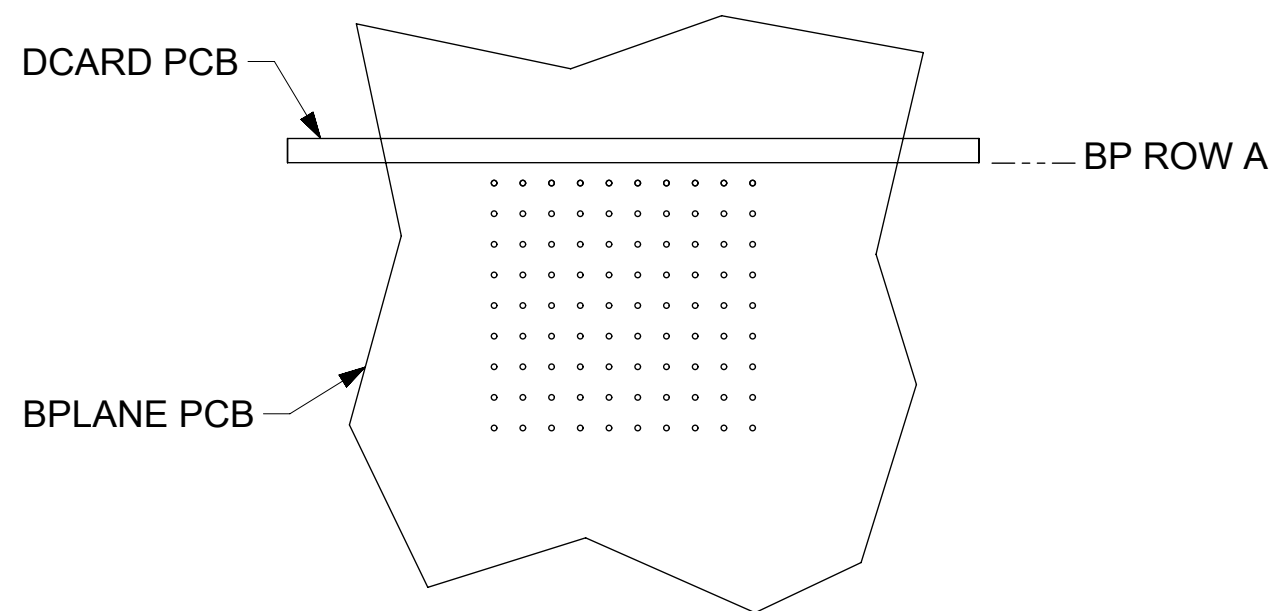
MODULE TYPE
 3 = GUIDE LEFT, MATTE TIN
 7 = GUIDE LEFT END WALL, MATTE TIN

OF COLUMNS
 1 = 10 COL
 3 = 6 COL
 6 = 16 COL
 8 = 8 COL

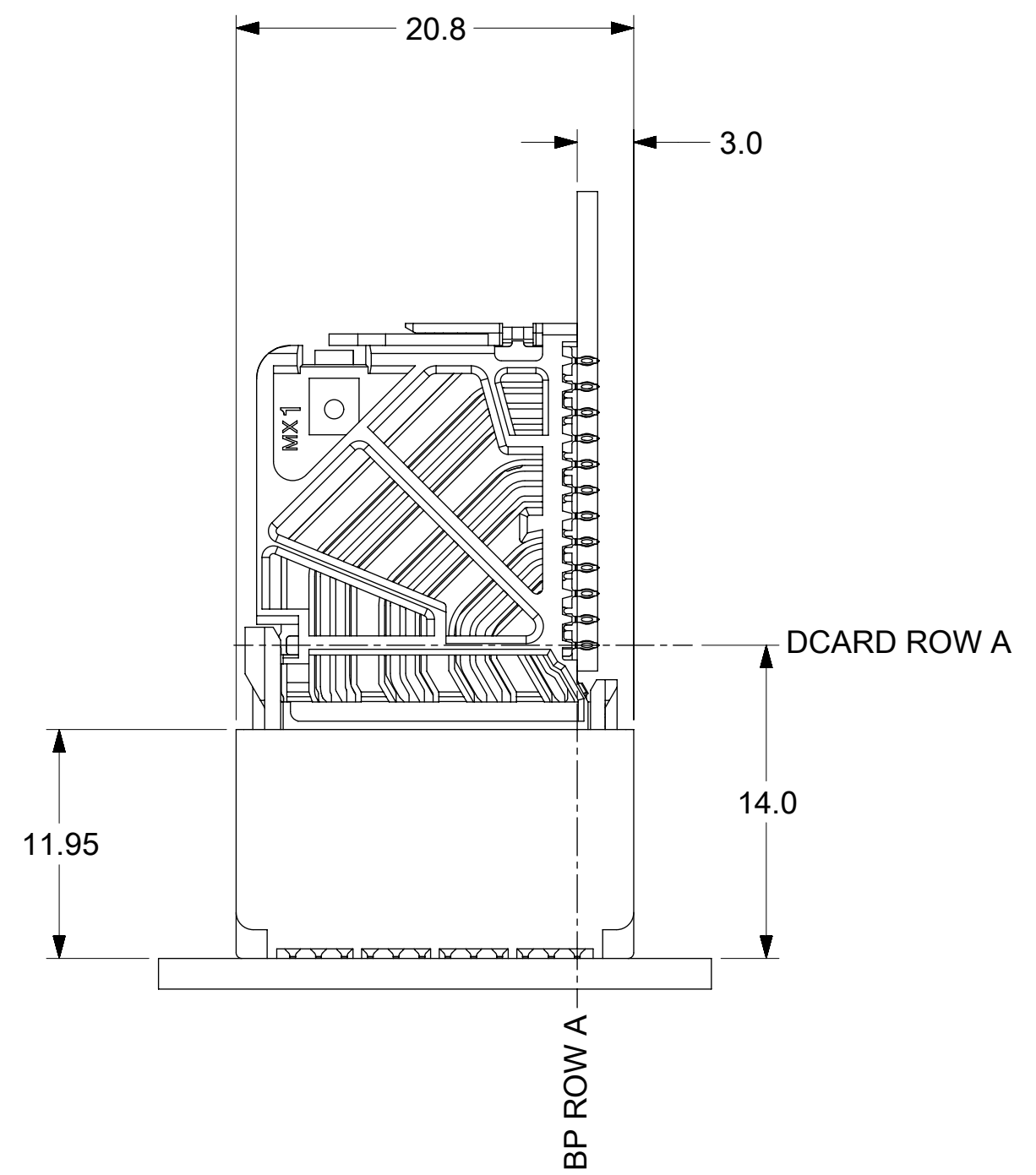
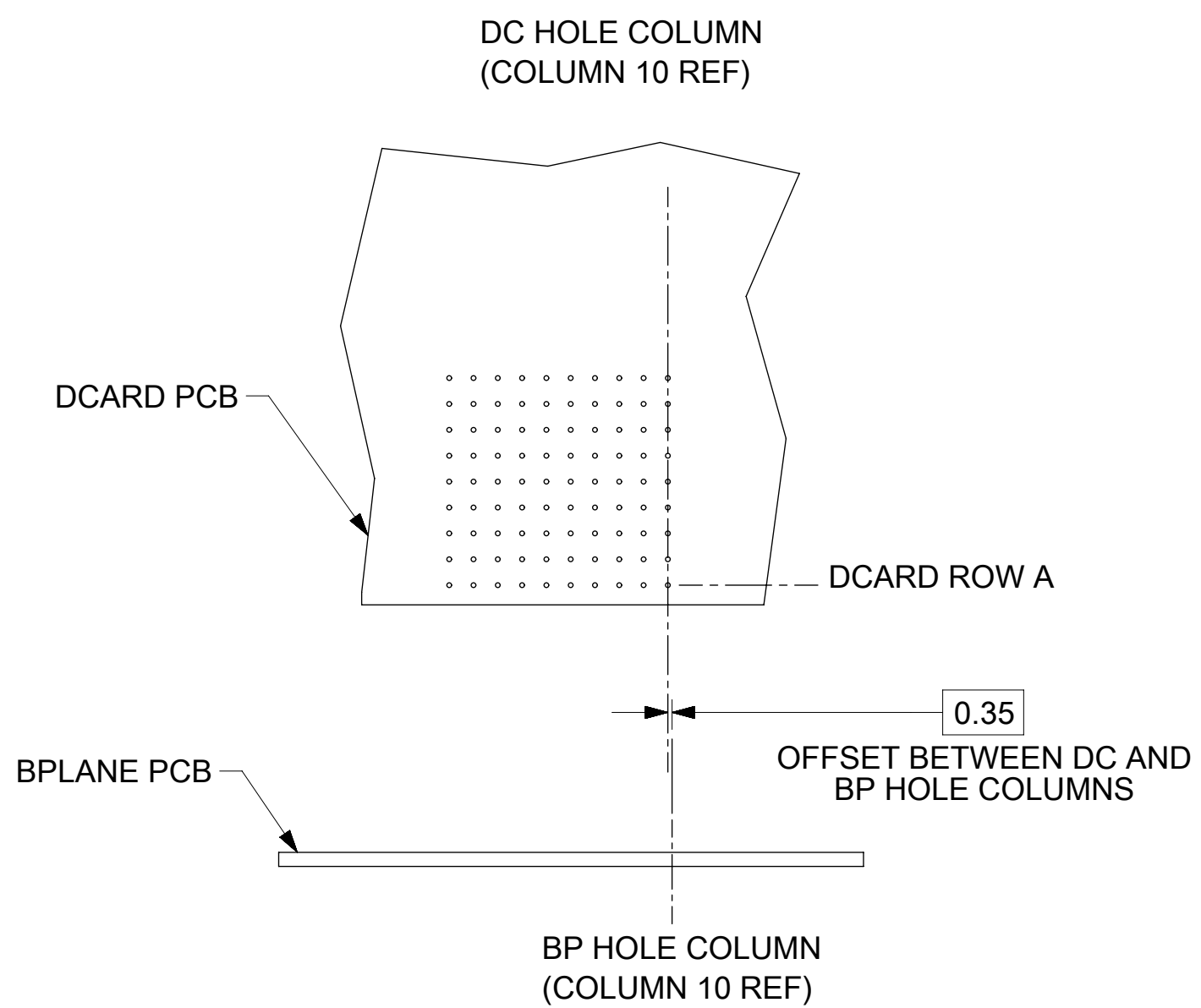
PIN LENGTH (P)
 3 = 4.50 (SHORT COMPLIANT, 0.46±0.05 PTH)
 4 = 4.90 (SHORT COMPLIANT, 0.46±0.05 PTH)
 5 = 5.50 (SHORT COMPLIANT, 0.46±0.05 PTH)
 6 = 4.50 (MICRO COMPLIANT, 0.39±0.05 PTH)
 7 = 4.90 (MICRO COMPLIANT, 0.39±0.05 PTH)
 8 = 5.50 (MICRO COMPLIANT, 0.39±0.05 PTH)

KEY ORIENTATION
 0 = NO KEY
 1 = A
 2 = B
 3 = C
 4 = D
 5 = E
 6 = F
 7 = G
 8 = H

QUALITY SYMBOLS	THIS DRAWING CONTAINS INFORMATION THAT IS PROPRIETARY TO MOLEX ELECTRONIC TECHNOLOGIES, LLC AND SHOULD NOT BE USED WITHOUT WRITTEN PERMISSION										
▽ = 0	EC NO: 123322 DRWN: NSRVATSAHS CHKD: PRAMASWAMY APPR: PRAMASWAMY MIGRATED TO NX 2017/10/09 2017/10/17 2017/10/18	GENERAL TOLERANCES (UNLESS SPECIFIED)		DIMENSION UNITS	SCALE						
▽ = 0		ANGULAR TOL ± 0.5 °		mm	3:1						
▽ = 0		4 PLACES ±		DRWN BY	DATE	IMPACT 4 PAIR BACKPLANE LEFT GUIDED ASSEMBLY SALES DRAWING					
▽ = 0		3 PLACES ±		JBINGHAM	2011/11/18						
▽ = 0		2 PLACES ± 0.13		CHKD BY	DATE	PRODUCT CUSTOMER DRAWING					
▽ = 0		1 PLACE ± 0.25		JLAURX	2011/11/18						
▽ = 0		0 PLACES ±		APPR BY	DATE	SERIES MATERIAL NUMBER CUSTOMER 171294 SEE CHART GENERAL MARKET					
▽ = 0		DRAFT WHERE APPLICABLE MUST REMAIN WITHIN DIMENSIONS		JLAURX	2011/12/02						
▽ = 0		DRAWING SIZE		THIRD ANGLE PROJECTION	C		DOCUMENT NUMBER		DOC TYPE	DOC PART	SHEET NUMBER
▽ = 0		C1		C		SD-171294-0002		PSD	001	2 OF 3	



IMPACT 4 PAIR BOARD RELATIONSHIPS



QUALITY SYMBOLS ▽ = 0 ▽ = 0 ▽ = 0 ▼ = 0 ▽ = 0 ⊠ = 0 ■ = 0 ▽ = 0	THIS DRAWING CONTAINS INFORMATION THAT IS PROPRIETARY TO MOLEX ELECTRONIC TECHNOLOGIES, LLC AND SHOULD NOT BE USED WITHOUT WRITTEN PERMISSION										
	EC NO: 123322 DRWN: NSRVATSAHS CHKD: PRAMASWAMY REV: APPR: PRAMASWAMY		2017/10/09 2017/10/17 2017/10/18		GENERAL TOLERANCES (UNLESS SPECIFIED) ANGULAR TOL ± 0.5 °		DIMENSION UNITS: mm SCALE: 1:1		DRWN BY: JBINGHAM DATE: 2011/11/18		molex IMPACT 4 PAIR BACKPLANE LEFT GUIDED ASSEMBLY SALES DRAWING
MIGRATED TO NX EC NO: 123322 DRWN: NSRVATSAHS CHKD: PRAMASWAMY REV: APPR: PRAMASWAMY		2017/10/09 2017/10/17 2017/10/18		4 PLACES ± 3 PLACES ± 2 PLACES ± 0.13 1 PLACE ± 0.25 0 PLACES ±		CHKD BY: JLAURX DATE: 2011/11/18		APPR BY: JLAURX DATE: 2011/12/02		PRODUCT CUSTOMER DRAWING	
DRAFT WHERE APPLICABLE MUST REMAIN WITHIN DIMENSIONS		C		THIRD ANGLE PROJECTION		DRAWING SIZE: C		SERIES: 171294 MATERIAL NUMBER: SEE CHART CUSTOMER: GENERAL MARKET		DOCUMENT NUMBER: SD-171294-0002 DOC TYPE: PSD DOC PART: 001 SHEET NUMBER: 3 OF 3	