

CDBA10CST0130L-HF

$I_F = 100 \text{ mA}$
 $V_R = 30 \text{ Volts}$
RoHS Device
Halogen Free



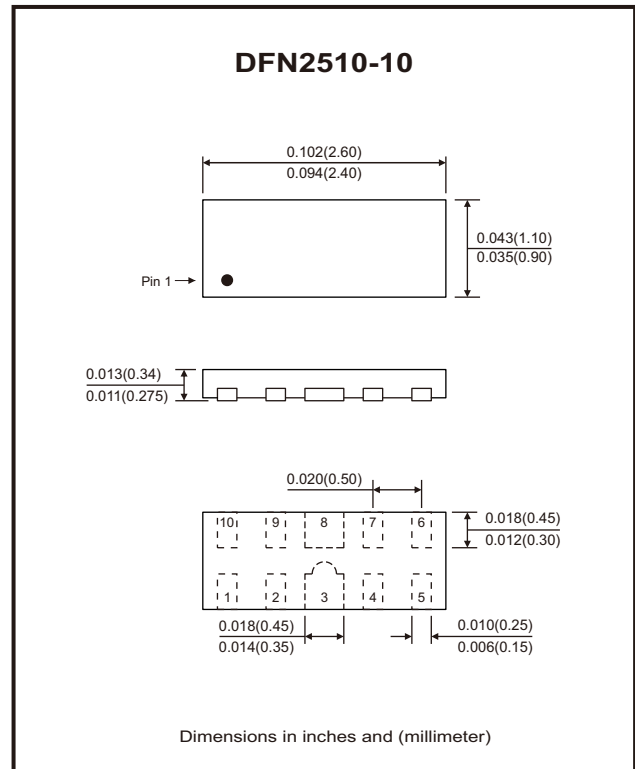
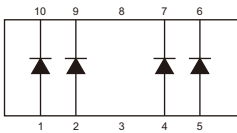
Features

- Low forward voltage.
- Ultra small mold type.

Mechanical data

- Case: DFN2510-10 package, molded plastic.
- Terminals: Gold plated, solderable per MIL-STD-750, method 2026.
- Mounting position: Any

Circuit Diagram



Maximum Rating (at $T_A=25^\circ\text{C}$ unless otherwise noted)

Parameter	Conditions	Symbol	Min	Typ	Max	Unit
Reverse voltage		V_R			30	V
Rectified forward current		I_F			100	mA
Junction temperature range		T_J	-55		+150	$^\circ\text{C}$
Storage temperature range		T_{STG}	-55		+150	$^\circ\text{C}$

Electrical Characteristics (at $T_A=25^\circ\text{C}$ unless otherwise noted)

Parameter	Conditions	Symbol	Min	Typ	Max	Unit
Forward voltage	$I_F = 10\text{mA}$	V_F			0.37	V
Reverse current	$V_R = 10\text{V}$	I_R			7	μA

Rating and Characteristic Curves (CDBA10CST0130L-HF)

Fig.1 - Forward Characteristics

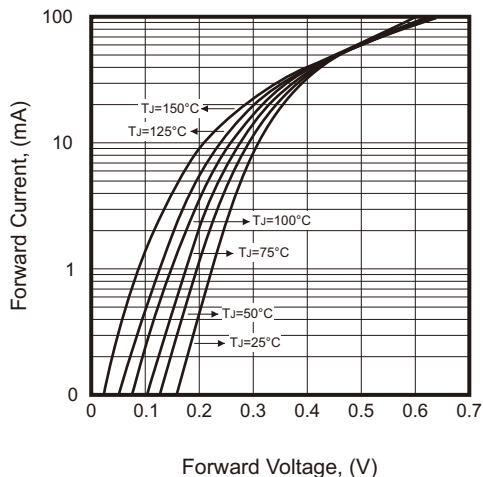


Fig.2 - Reverse Characteristics

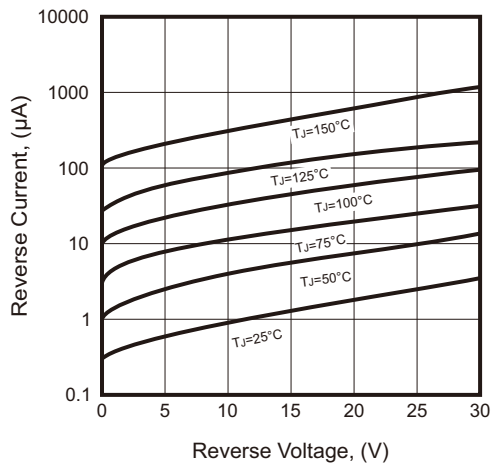


Fig.3 - Capacitance Between Terminals Characteristics

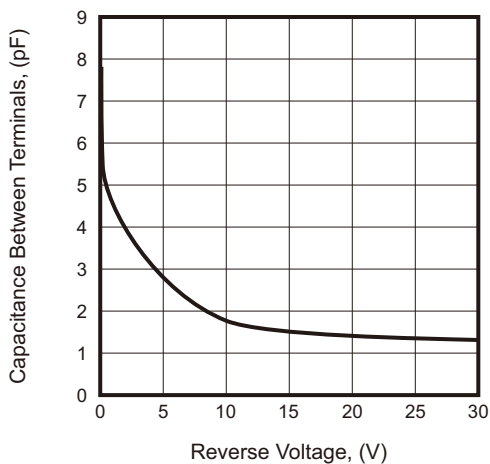
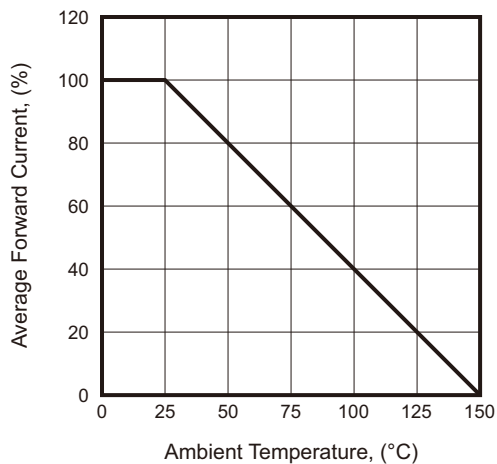
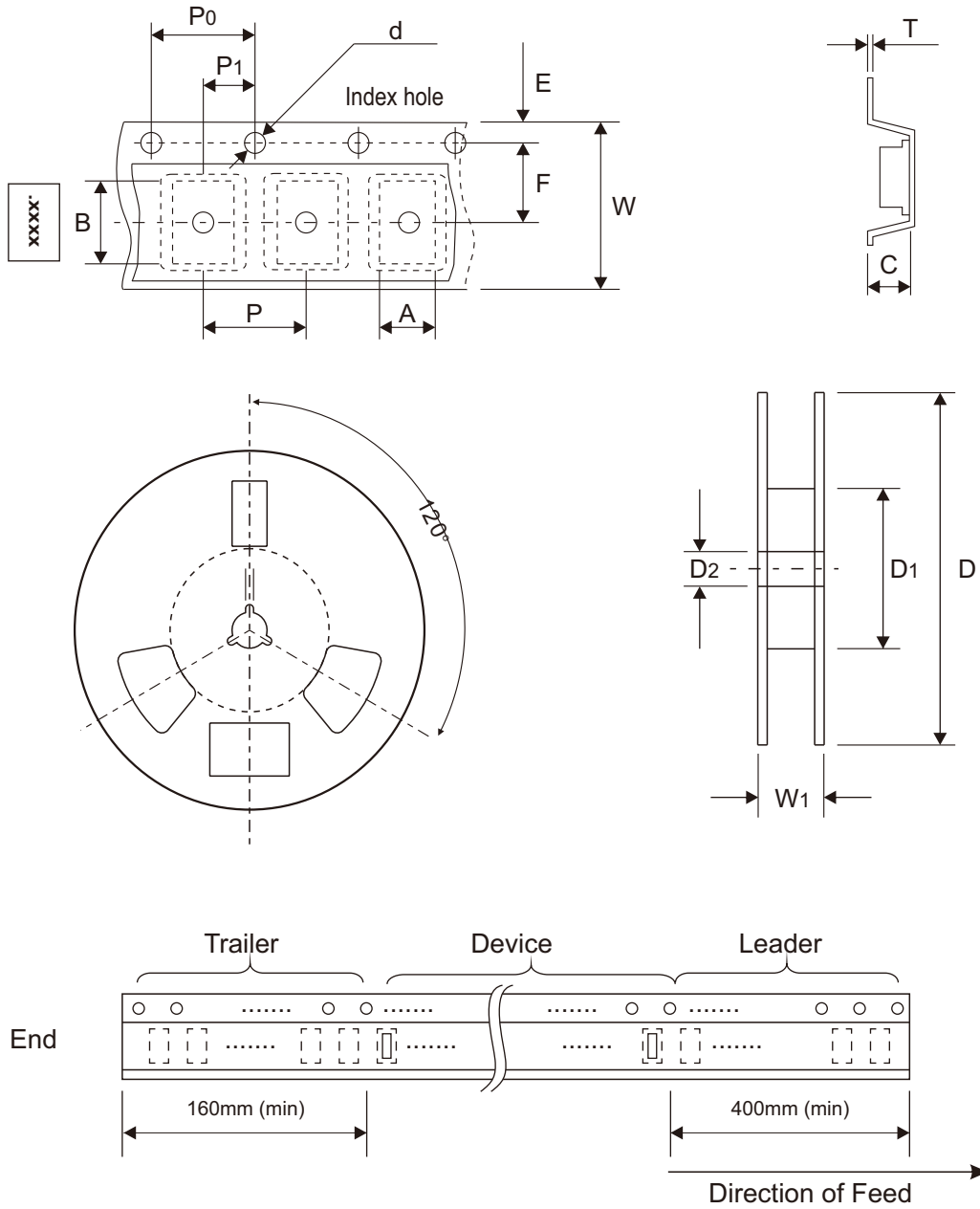


Fig.4 - Current Derating Curve



Reel Taping Specification

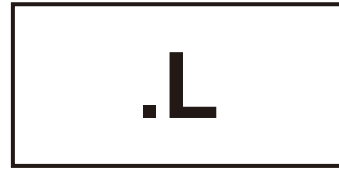


DFN2510-10	SYMBOL	A	B	C	d	D	D1	D2
	(mm)	1.15 ± 0.05	2.65 ± 0.05	0.45 ± 0.05	1.50 + 0.10 - 0.00	178.00 ± 1.00	60.00 ± 0.50	13.50 ± 0.20
	(inch)	0.045 ± 0.002	0.104 ± 0.002	0.018 ± 0.002	0.059 + 0.004 - 0.000	7.008 ± 0.039	2.362 ± 0.020	0.531 ± 0.008

DFN2510-10	SYMBOL	E	F	P	P0	P1	T	W	W1
	(mm)	1.75 ± 0.10	3.50 ± 0.05	4.00 ± 0.05	4.00 ± 0.05	2.00 ± 0.05	0.20 ± 0.02	8.00 ± 0.10	12.00 + 0.50 - 0.00
	(inch)	0.069 ± 0.004	0.138 ± 0.002	0.157 ± 0.002	0.157 ± 0.002	0.079 ± 0.002	0.008 ± 0.001	0.315 ± 0.004	0.472 + 0.020 - 0.000

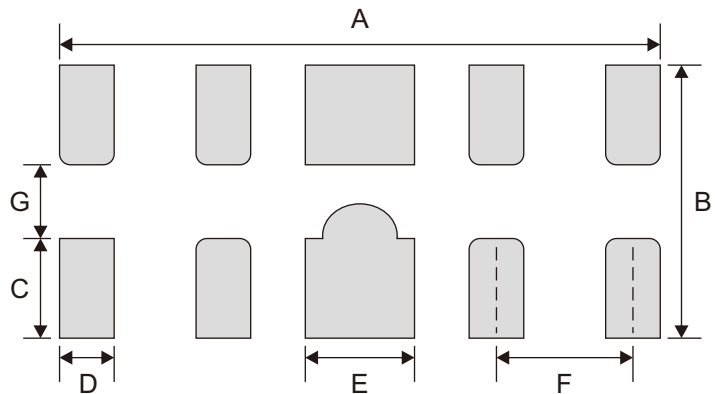
Marking Code

Part Number	Marking Code
CDBA10CST0130L-HF	.L



Suggested P.C.B. PAD Layout

SIZE	DFN2510-10	
	(mm)	(inch)
A	2.20	0.087
B	1.00	0.039
C	0.365	0.014
D	0.20	0.008
E	0.40	0.016
F	0.50	0.020
G	0.27	0.011



Note: 1. The pad layout is for reference purposes only.

Standard Packaging

Case Type	REEL PACK	
	REEL (pcs)	Reel Size (inch)
DFN2510-10	3,000	7