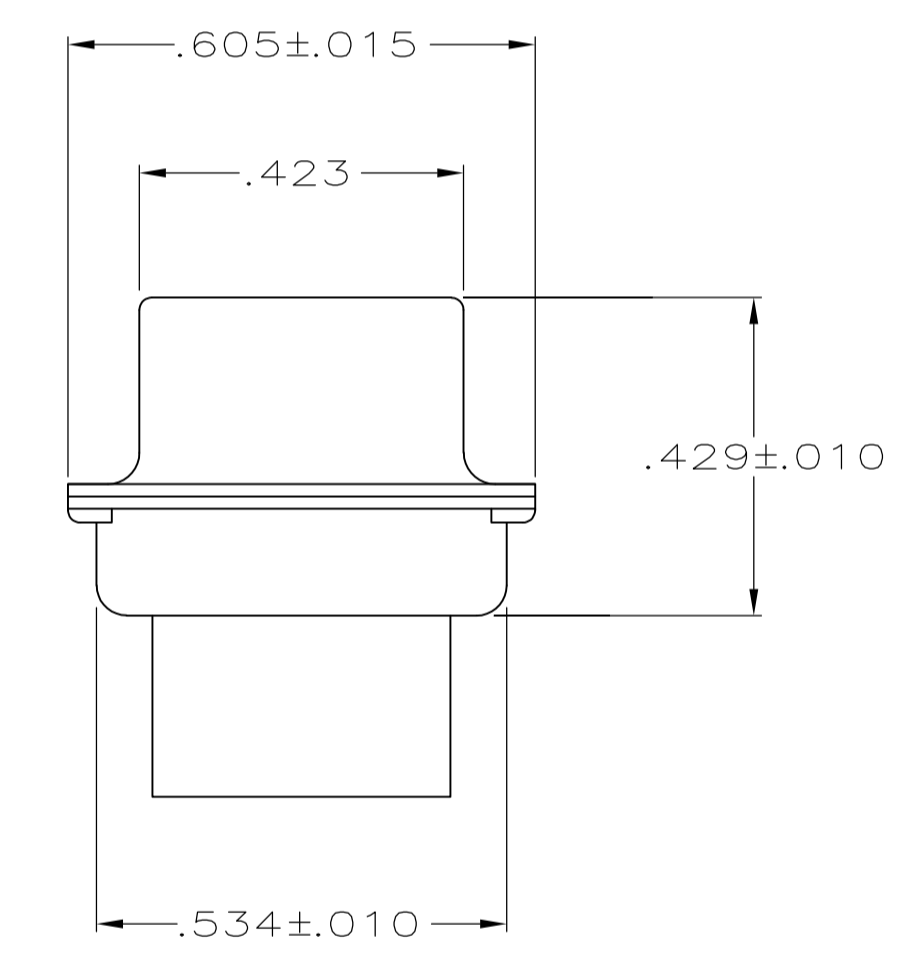
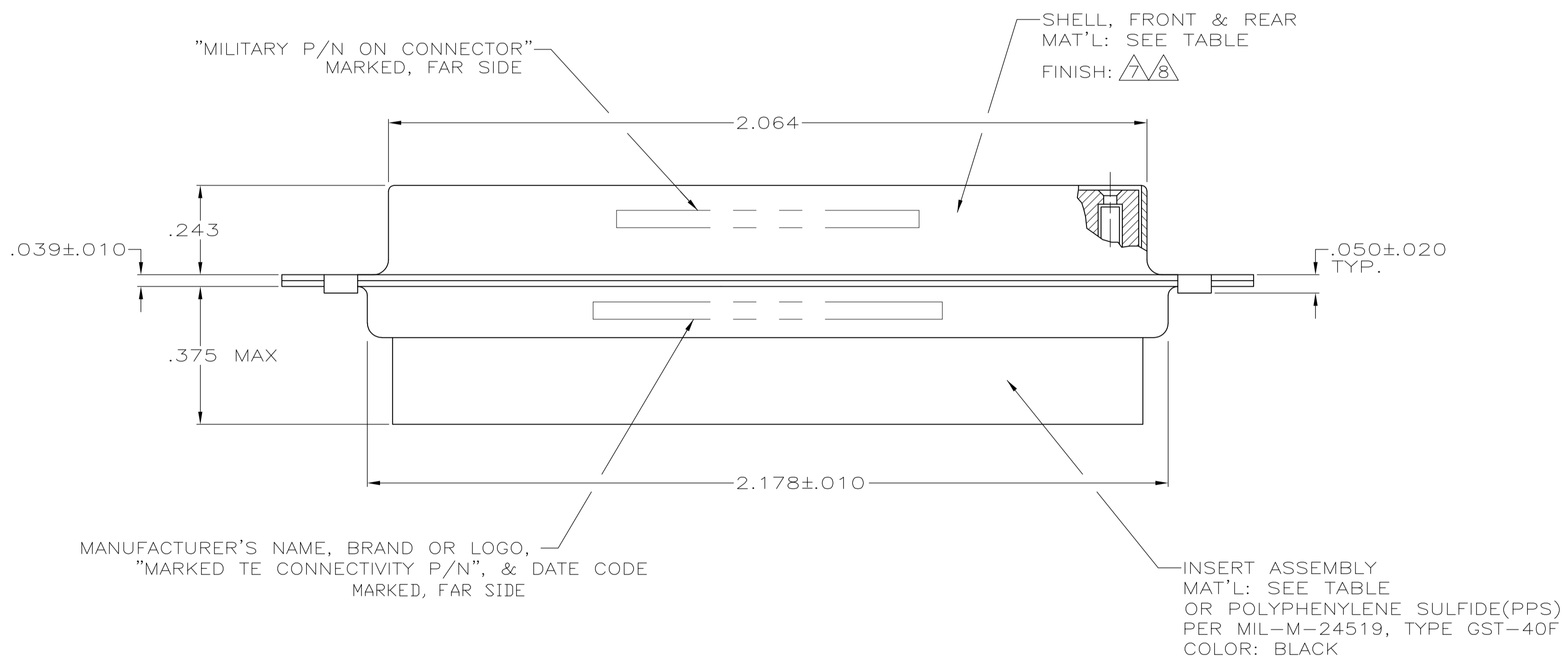
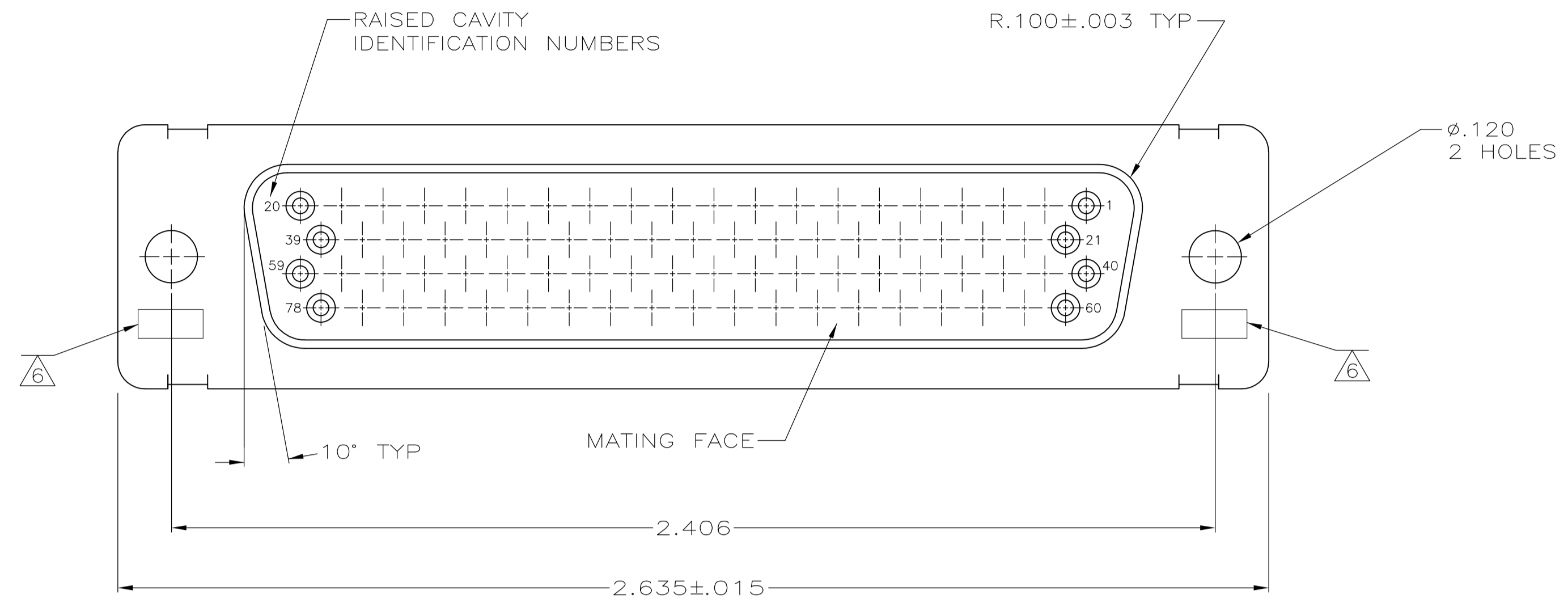


LOC		DIST		REVISIONS			
P	LTR	DESCRIPTION	DATE	DN	APVD		
U		REVISED PER ECO-15-016062	09NOV15	KG	CD		

- THIS RCPT. IS DESIGNED TO CONFORM TO THE LATEST ISSUE OF MIL-C-24308.
 - MAX WIRE INSUL TO BE USED WITH THIS RCPT IS .054 DIA.
 - METAL RETENTION CLIPS ARE INCLUDED IN INSERTS.
 - THIS RCPT. WILL ACCEPT SIZE 22 SOCKET CONTACT M39029/57-354 OR ANY TYCO HDD-22 SOCKET CONTACT. CONTACTS ORDERED SEPARATELY.
- 5 MFG'S PART NO. MARKED ON CONNECTOR REPRESENTS KIT NUMBER WITH CONTACTS.
6 UL/CSA DESIGNATION STAMPED IN THIS AREA, OPTIONAL.
7 FINISH: CADMIUM PER QQ-P-416.
8 FINISH: BRIGHT TIN PER ASTM-B-545 .000400-.000550 THK OVER COPPER PER AMS2418 .000050 MIN THK.



-	-	204508-5	-	8	STEEL, CLASS G	POLYPHENYLENE SULFIDE(PPS) PER MIL-M-24519, TYPE GST-40F COLOR: BLACK	204508-5
SUPSD BY 204508-1	-	-	-	-	STEEL, CLASS G	PHENOLIC COLOR: BLACK	204508-3
SUPSD BY 206505-4	-	-	-	-	BRASS	DIALLYL PATHALATE COLOR: BLUE	204508-2
M24308/2-290F	M24308/2-15F	204520-2	5	7	STEEL, CLASS G	POLYPHENYLENE SULFIDE(PPS) PER MIL-M-24519, TYPE GST-40F COLOR: BLACK	204508-1
MILITARY P/N ON PACKAGE	MILITARY P/N ON CONNECTOR	MFG'S P/N ON CONNECTOR	REMARKS	SHELL FINISH	SHELL MAT'L	INSERT MAT'L	PART NO.

THIS DRAWING IS A CONTROLLED DOCUMENT.

DIMENSIONS: INCHES	TOLERANCES UNLESS OTHERWISE SPECIFIED:	0 PLC ± -	1 PLC ± -	2 PLC ± -	3 PLC ± .005	4 PLC ± -	ANGLES ± # 0'30"
MATERIAL: SEE TABLE	FINISH: SEE CALLOUTS	WEIGHT: -	SIZE: A1	CAGE CODE: 00779	DRAWING NO: 204508	RESTRICTED TO: -	

CUSTOMER DRAWING SCALE: 4:1 SHEET 1 OF 1 REV U

STE TE Connectivity
 AMPLIMITE RCPT FOR SOCKET CONTACTS HI-DENSITY D CONNECTOR SIZE 5 (78 POSN) SERIES 90