

MAXIM

High Speed Quad SPST Analog Switch

MAX334

General Description

The MAX334 is a quad single-pole-single-throw, normally closed (SPST, NC) analog switch, pin compatible with the Harris HI-201HS and Siliconix DG271. The MAX334 has guaranteed break-before-make switching ($t_{OFF} < t_{ON}$), while featuring fast switching speeds. Turn-on time is less than 100ns and turn-off time is less than 50ns; channel on resistance is 50 ohms maximum. CMOS inputs provide reduced input loading and very low leakage currents.

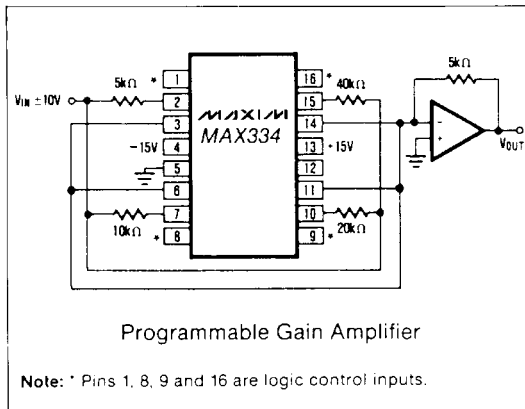
The MAX334 is also a direct replacement for the DG201 and DG211, featuring 1/4 the on resistance and five times the speed.

The MAX334 may be used with split supplies ($\pm 5V$ to $\pm 15V$) or single positive supplies (+5V to +30V) while retaining CMOS and TTL logic compatible inputs, and maintaining high switching speed.

Applications

- Sample and Hold Circuits
- Winchester Disk Drives
- Test Equipment
- Communications Systems
- PBX, PABX
- Guidance and Control Systems
- Heads-up Displays
- Military Radios

Typical Operating Circuit



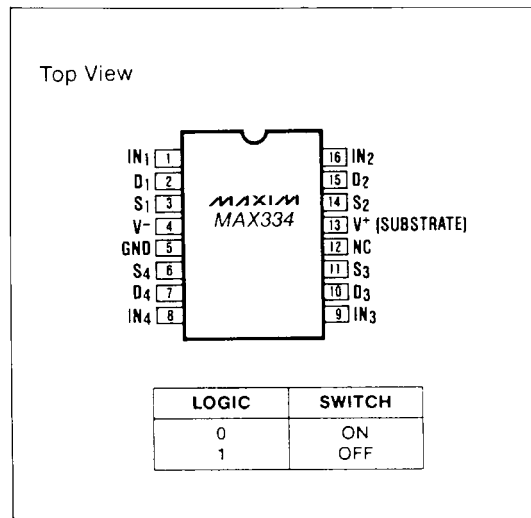
Features

- ◆ $R_{ds(ON)}$ 50Ω (max.)
- ◆ Guaranteed Break-Before-Make Switching
- ◆ Single or Bipolar Supply Operation
- ◆ CMOS and TTL Logic Compatible
- ◆ Faster, Lower R_{ON} Replacement for DG201 and DG211

Ordering Information

PART	TEMP. RANGE	PACKAGE
MAX334CPE	0°C to +70°C	16 Lead Plastic DIP
MAX334CWE	0°C to +70°C	16 Lead Wide SO
MAX334C/D	0°C to +70°C	Dice
MAX334CJE	0°C to +70°C	16 Lead CERDIP
MAX334EPE	-40°C to +85°C	16 Lead Plastic DIP
MAX334EJE	-40°C to +85°C	16 Lead CERDIP
MAX334EWE	-40°C to +85°C	16 Lead Wide SO
MAX334MJE	-55°C to +125°C	16 Lead CERDIP

Pin Configuration



High Speed Quad SPST Analog Switch

ABSOLUTE MAXIMUM RATINGS

Supply Voltage (Between Pins 4 and 13)	36V	Maximum Junction Temperature	175°C
Digital Input Voltage (Pins 1, 8, 9, 16)	+V _{SUPPLY} +4V	Operating Temperature	
	-V _{SUPPLY} -4V	MAX334M	-55°C to +125°C
Analog Input Voltage (S to D)	+V _{SUPPLY} +2.0V	MAX334E	-40°C to +85°C
Pins 2, 3, 6, 7, 10, 11, 14, 15	-V _{SUPPLY} -2.0V	MAX334C	0°C to +70°C
Peak Current, S or D	80mA	Storage Temperature	-65°C to +150°C
Total Power Dissipation (Note 1)	750mW		

Stresses listed under "Absolute Maximum Ratings" may be applied (one at a time) to devices without resulting in permanent damage. These are stress ratings only, and functional operation of the device at these or any other conditions above those indicated in the operational sections of the specifications is not implied. Exposure to Absolute Maximum Ratings conditions for extended periods may affect device reliability.

ELECTRICAL CHARACTERISTICS

(V⁺ = +15V, V⁻ = -15V, V_{AH} (Logic Level High) = 3.0V, V_{AL} (Logic Level Low) = +0.8V, GND = 0V, unless otherwise specified.)

PARAMETER	TEMPERATURE	MAX334M/E			MAX334C			UNITS	
		MIN	TYP	MAX	MIN	TYP	MAX		
ANALOG SWITCH CHARACTERISTICS									
V _S , Analog Signal Range	Full	-15		+15	-15		+15	V	
R _{ON} , On Resistance (Note 2)	+25°C		30	50		30	50	Ω	
	Full			75			75		
R _{ON} Match	+25°C		3			3		%	
I _{S(OFF)} , Off Input Leakage Current	V _S = 14V, V _D = -14V	+25°C	-1	.3	1	-1	.3	1	nA
	V _S = -14V, V _D = 14V	Full	-100		100	-50		50	
I _{D(OFF)} , Off Output Leakage Current	V _D = 14V, V _S = -14V	+25°C	-1	.3	1	-1	.3	1	nA
	V _D = -14V, V _S = 14V	Full	-100		100	-50		50	
I _{D(ON)} , On Leakage Current	V _D = V _S = 14V	+25°C	-1	.1	1	-1	.1	1	nA
	V _D = V _S = -14V	Full	-100		100	-50		50	
DIGITAL INPUT CHARACTERISTICS									
V _{AL} Input Low	+25°C							V	
	Full			0.8			0.8		
V _{AH} Input High	+25°C							V	
	Full		3.0			3.0			
I _{AL} , Input Leakage Current (Low)	+25°C	-1.0	0.1	1.0	-1.0	0.1	1.0	μA	
	Full	-10		10	-10		10		
I _{AH} , Input Leakage Current (High)	+25°C	-1.0	0.1	1.0	-1.0	0.1	1.0	μA	
	Full	-10		10	-10		10		

Note 1: Derate 8mW/°C above T_A = 75°C, θ_{JA} = 100°C/W, θ_{JC} = 60°C/W

Note 2: V_{OUT} = ±10V, I_{OUT} = 1mA

Note 3: R_L = 1kΩ, C_L = 35pF, V_{IN} = +10V, V_A = +3V (See Switching Waveforms)

Note 4: V_A = 3V, R_L = 1kΩ, C_L = 10pF, V_{IN} = 3Vrms, f = 100kHz

Note 5: V_A = 3V, R_L = 1kΩ, f = 100kHz, V_{IN} = 3Vrms

Note 6: C_L = 1000pF, V_{IN} = 0V, R_{IN} = 0Ω, ΔQ = C_L × ΔV_O

Note 7: V_A = 3V or V_A = 0 for all switches

Note 8: t_{BBM} is fastest turn-on time (of the four switches) minus the slowest turn-off time.

High Speed Quad SPST Analog Switch

MAX334

ELECTRICAL CHARACTERISTICS (Continued)

(V⁺ = +15V, V⁻ = -15V, V_{AH} (Logic Level High) = 3.0V, V_{AL} (Logic Level Low) = +0.8V, GND = 0V, unless otherwise specified.)

PARAMETER	TEMPERATURE	MAX334M/E			MAX334C			UNITS
		MIN	TYP	MAX	MIN	TYP	MAX	
SWITCHING CHARACTERISTICS								
t _{ON} , Switch ON Time (Note 3)	+25°C		70	100		70	120	ns
t _{ON} , Switch ON Time (Note 3)	Full		100			125		ns
t _{OFF1} , Switch OFF Time (Note 3)	+25°C		40	50		40	75	ns
t _{OFF1} , Switch OFF Time (Note 3)	Full		50			75		ns
t _{OFF2} , Switch OFF Time (Note 3)	+25°C		150			150		ns
Output Settling Time 0.1%	+25°C		180			180		ns
t _{BBM} , Break-Before-Make (Note 8)	+25°C		10	30		30		ns
"Off Isolation" (Note 4)	+25°C		72			72		dB
Crosstalk (Note 5)	+25°C		86			86		dB
Charge Injection (Note 6)	+25°C		10			10		pC
C _{S(OFF)} , Input Switch Capacitance	+25°C		10			10		pF
Output Switch Capacitance	C _{D(OFF)}	+25°C		10		10		pF
	C _{D(ON)}	+25°C		30		30		
C _A , Digital Input Capacitance	+25°C		18			18		pF
C _{DS(OFF)} , Drain-to-Source Capacitance	+25°C		5			5		pF
POWER REQUIREMENTS (Note 7)								
P _D , Power Dissipation	+25°C		120			120		mW
	Full							
I ⁺ , Current (Pin 13)	+25°C		4.5			4.5		mA
	Full			10.0		10.0		
I ⁻ , Current (Pin 4)	+25°C		3.5			3.5		mA
	Full			6		6		

Typical Single Supply Operation (V⁻ = GND, V_S = +10V, R_L = 1000 Ohms)

V ⁺	R _{DS(ON)} (Ohms)	T _{ON} (ns)	T _{OFF} (ns)	TTL Compatible?	I _{V⁺} with TTL _{IN} = 3V on all switches
+5*	200	360	25	Yes	6.0μA
+10	85	150	30	Yes	1.5mA
+12	75	140	25	Yes	2.0mA
+15	65	100	25	Yes	4.5mA
+20	55	70	25	Yes	7.0mA
+25	50	50	30	V _{AH} = 4V	10.0mA
+30	45	45	40	V _{AH} = 4V	14.0mA

*V_S = +5V, for this case.

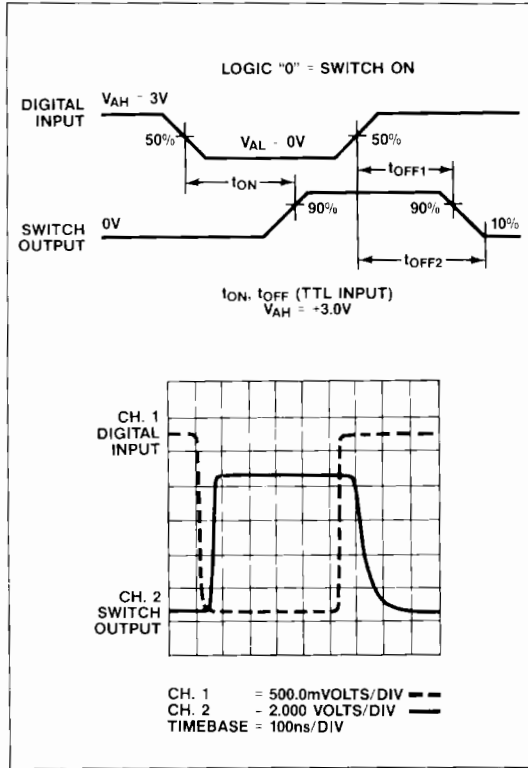
Typical Single Supply

Charge Injection (C_L = 1000pF)

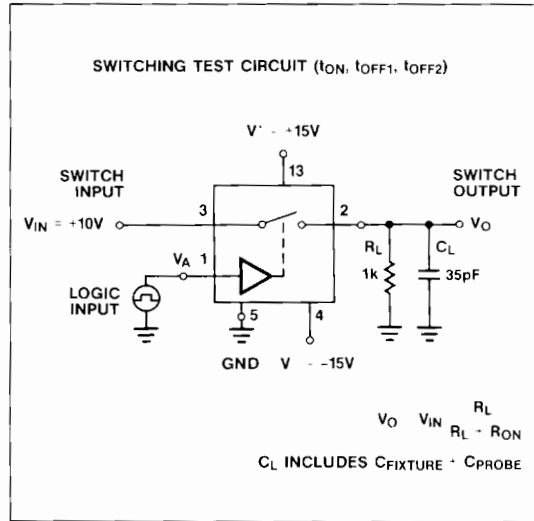
V _{ANALOG}	V ⁺ SUPPLY VOLTAGE				
	+5V	+10V	+15V	+20V	+30V
0V	7pC	10pC	10pC	6pC	12pC
V ⁺	4pC	6pC	6pC	6pC	14pC

High Speed Quad SPST Analog Switch

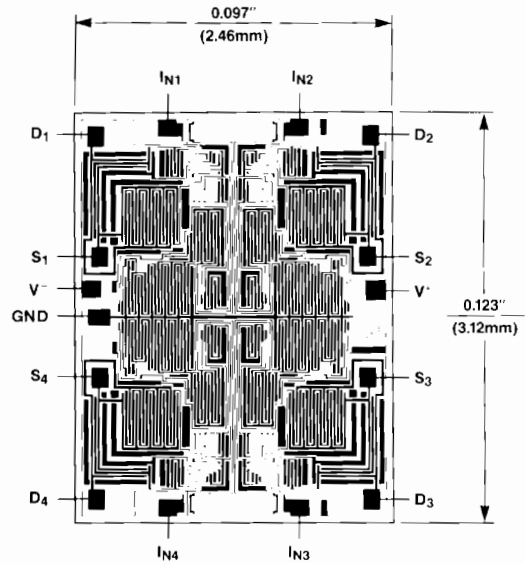
Switching Waveforms



Test Circuit



Chip Topography



Maxim cannot assume responsibility for use of any circuitry other than circuitry entirely embodied in a Maxim product. No circuit patent licenses are implied. Maxim reserves the right to change the circuitry and specifications without notice at any time.

SITE
SEARCHPART NO.
SEARCH

WHAT'S NEW

PRODUCTS

SOLUTIONS

DESIGN

APPNOTES

SUPPORT

BUY

COMPANY

MEMBERS

MAX334

Part Number Table

Notes:

1. See the [MAX334 QuickView Data Sheet](#) for further information on this product family or download the [MAX334 full data sheet](#) (PDF, 136kB).
2. Other options and links for purchasing parts are listed at: <http://www.maxim-ic.com/sales>.
3. [Didn't Find What You Need?](#) Ask our applications engineers. Expert assistance in finding parts, usually within one business day.
4. Part number suffixes: T or T&R = tape and reel; + = RoHS/lead-free; # = RoHS/lead-exempt. More: See [full data sheet](#) or [Part Naming Conventions](#).
5. * Some packages have variations, listed on the drawing. "PkgCode/Variation" tells which variation the product uses.

Part Number	Free Sample	Buy Direct	Package: TYPE PINS SIZE DRAWING CODE/VAR *	Temp	RoHS/Lead-Free? Materials Analysis
MAX334CJE	<input type="checkbox"/>	<input type="checkbox"/>	Ceramic DIP;16 pin;.300" Dwg: 21-0045A (PDF) Use pkgcode/variation: J16-4*	0C to +70C	RoHS/Lead-Free: No Materials Analysis
MAX334EJE	<input type="checkbox"/>	<input type="checkbox"/>	Ceramic DIP;16 pin;.300" Dwg: 21-0045A (PDF) Use pkgcode/variation: J16-4*	-40C to +85C	RoHS/Lead-Free: No Materials Analysis
MAX334MJE/HR	<input type="checkbox"/>	<input type="checkbox"/>	Ceramic DIP;16 pin;.300" Dwg: 21-0045A (PDF) Use pkgcode/variation: J16-4*	-55C to +125C	RoHS/Lead-Free: No Materials Analysis
MAX334MJE	<input type="checkbox"/>	<input type="checkbox"/>	Ceramic DIP;16 pin;.300" Dwg: 21-0045A (PDF) Use pkgcode/variation: J16-4*	-55C to +125C	RoHS/Lead-Free: No Materials Analysis
MAX334C/D	<input type="checkbox"/>	<input type="checkbox"/>			RoHS/Lead-Free: No
MAX334CPE+	<input type="checkbox"/>	<input type="checkbox"/>	PDIP;16 pin;.300" Dwg: 21-0043D (PDF) Use pkgcode/variation: P16+2*	0C to +70C	RoHS/Lead-Free: Yes Materials Analysis
MAX334CPE	<input type="checkbox"/>	<input type="checkbox"/>	PDIP;16 pin;.300" Dwg: 21-0043D (PDF) Use pkgcode/variation: P16-2*	0C to +70C	RoHS/Lead-Free: No Materials Analysis

MAX334EPE			PDIP;16 pin;.300" Dwg: 21-0043D (PDF) Use pkgcode/variation: P16-2*	-40C to +85C	RoHS/Lead-Free: No Materials Analysis
MAX334EPE+			PDIP;16 pin;.300" Dwg: 21-0043D (PDF) Use pkgcode/variation: P16+2*	-40C to +85C	RoHS/Lead-Free: Yes Materials Analysis
MAX334CWE+T			SOIC;16 pin;.300" Dwg: 21-0042B (PDF) Use pkgcode/variation: W16+2*	0C to +70C	RoHS/Lead-Free: Yes Materials Analysis
MAX334CWE+			SOIC;16 pin;.300" Dwg: 21-0042B (PDF) Use pkgcode/variation: W16+2*	0C to +70C	RoHS/Lead-Free: Yes Materials Analysis
MAX334CWE			SOIC;16 pin;.300" Dwg: 21-0042B (PDF) Use pkgcode/variation: W16-2*	0C to +70C	RoHS/Lead-Free: No Materials Analysis
MAX334CWE-T			SOIC;16 pin;.300" Dwg: 21-0042B (PDF) Use pkgcode/variation: W16-2*	0C to +70C	RoHS/Lead-Free: No Materials Analysis
MAX334EWE+			SOIC;16 pin;.300" Dwg: 21-0042B (PDF) Use pkgcode/variation: W16+2*	-40C to +85C	RoHS/Lead-Free: Yes Materials Analysis
MAX334EWE+T				-40C to +85C	RoHS/Lead-Free: Yes
MAX334EWE			SOIC;16 pin;.300" Dwg: 21-0042B (PDF) Use pkgcode/variation: W16-2*	-40C to +85C	RoHS/Lead-Free: No Materials Analysis
MAX334EWE-T			SOIC;16 pin;.300" Dwg: 21-0042B (PDF) Use pkgcode/variation: W16-2*	-40C to +85C	RoHS/Lead-Free: No Materials Analysis

[Didn't Find What You Need?](#)

[CONTACT US: SEND US AN EMAIL](#)