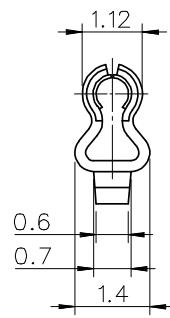
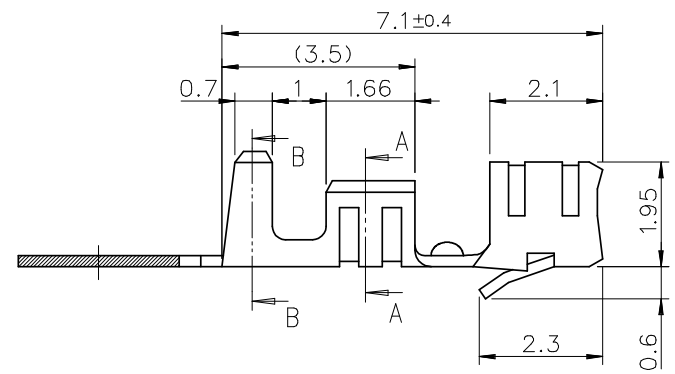


SECTION A-A

SECTION B-B



NOTE

- 1. APPLIED HOUSING : 5264-N
- 2. MATERIAL : PHOSPHOR BRONZE(PRE TIN)
- 3. APPLIED WIRE : AWG #22~#28
INS. RANGE: Ø1.15~1.9

ENG. NO.	Material No.	FORM
5263PBT9	39-00-0160	CHAIN

REVISED EC NO: KOR2008-0178 DRWN: HJEONG CHKD: YUN APPR: YUN 2008/04/24 2008/04/24 2008/04/25	DESCRIPTION D1	QUALITY SYMBOLS	GENERAL TOLERANCES (UNLESS SPECIFIED)	DIMENSION STYLE	SCALE	DESIGN UNITS	THIRD ANGLE PROJECTION															
		$\nabla = 0$ $\sphericalangle = 0$	<table border="1"> <tr> <th></th> <th>mm</th> <th>INCH</th> </tr> <tr> <td>4 PLACES</td> <td>± ---</td> <td>± ---</td> </tr> <tr> <td>3 PLACES</td> <td>± ---</td> <td>± ---</td> </tr> <tr> <td>2 PLACES</td> <td>± 0.2</td> <td>± ---</td> </tr> <tr> <td>1 PLACE</td> <td>± 0.25</td> <td>± ---</td> </tr> </table>		mm	INCH	4 PLACES	± ---	± ---	3 PLACES	± ---	± ---	2 PLACES	± 0.2	± ---	1 PLACE	± 0.25	± ---	MM ONLY	10:1	METRIC	
			mm	INCH																		
		4 PLACES	± ---	± ---																		
		3 PLACES	± ---	± ---																		
2 PLACES	± 0.2	± ---																				
1 PLACE	± 0.25	± ---																				
<table border="1"> <tr> <td>DRAWN BY</td> <td>DATE</td> <td>TITLE</td> </tr> <tr> <td>1988/09/13</td> <td>SJMOON</td> <td rowspan="3">BOARD IN CONNECTOR CRIMP TERMINAL</td> </tr> <tr> <td>CHECKED BY</td> <td>DATE</td> </tr> <tr> <td>1988/09/13</td> <td>YSOOKIM</td> </tr> <tr> <td>APPROVED BY</td> <td>DATE</td> <td rowspan="2"> MOLEX INCORPORATED </td> </tr> <tr> <td>1988/09/13</td> <td>YSOOKIM</td> </tr> </table>	DRAWN BY	DATE	TITLE	1988/09/13	SJMOON	BOARD IN CONNECTOR CRIMP TERMINAL	CHECKED BY	DATE	1988/09/13	YSOOKIM	APPROVED BY	DATE	MOLEX INCORPORATED	1988/09/13	YSOOKIM	ANGULAR ± 1°	MATERIAL NO.	DOCUMENT NO.	SHEET NO.			
DRAWN BY	DATE	TITLE																				
1988/09/13	SJMOON	BOARD IN CONNECTOR CRIMP TERMINAL																				
CHECKED BY	DATE																					
1988/09/13	YSOOKIM																					
APPROVED BY	DATE	MOLEX INCORPORATED																				
1988/09/13	YSOOKIM																					
DRAFT WHERE APPLICABLE MUST REMAIN WITHIN DIMENSIONS	SEE TABLE	SD-5263PBT9	1 OF 1																			