



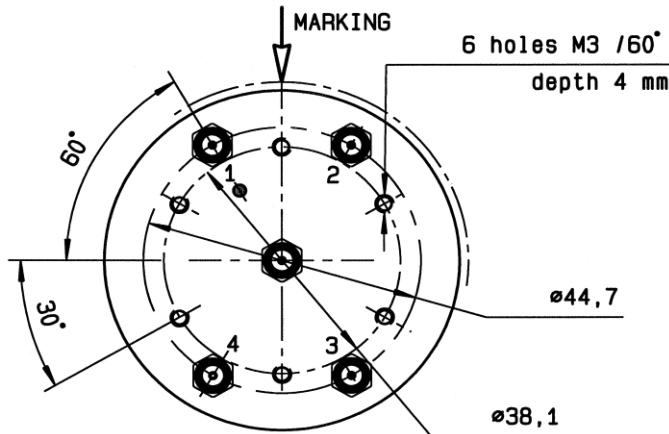
PAGE 2/2

ISSUE 30.01.15

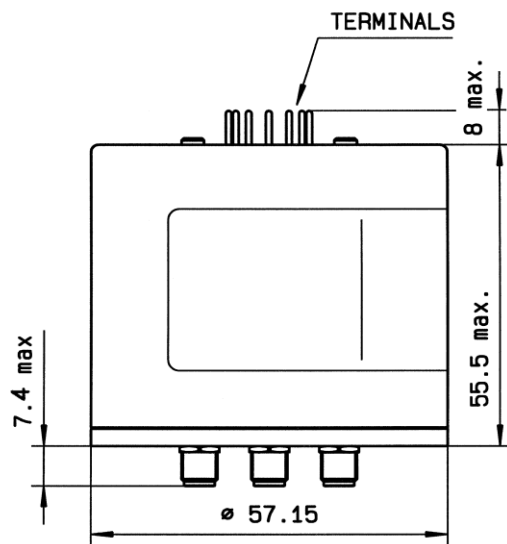
SERIE : SPnT

PART NUMBER : R574403420

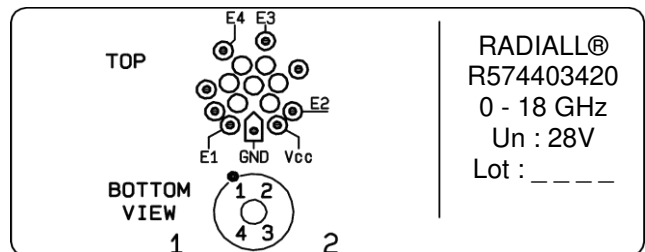
DRAWING



TTL input	RF Continuity
E1 = 1	IN ↔ 1
E2 = 1	IN ↔ 2
E3 = 1	IN ↔ 3
E4 = 1	IN ↔ 4



**LABEL**



General tolerances : ±0.5 mm

SCHEMATIC DIAGRAM

