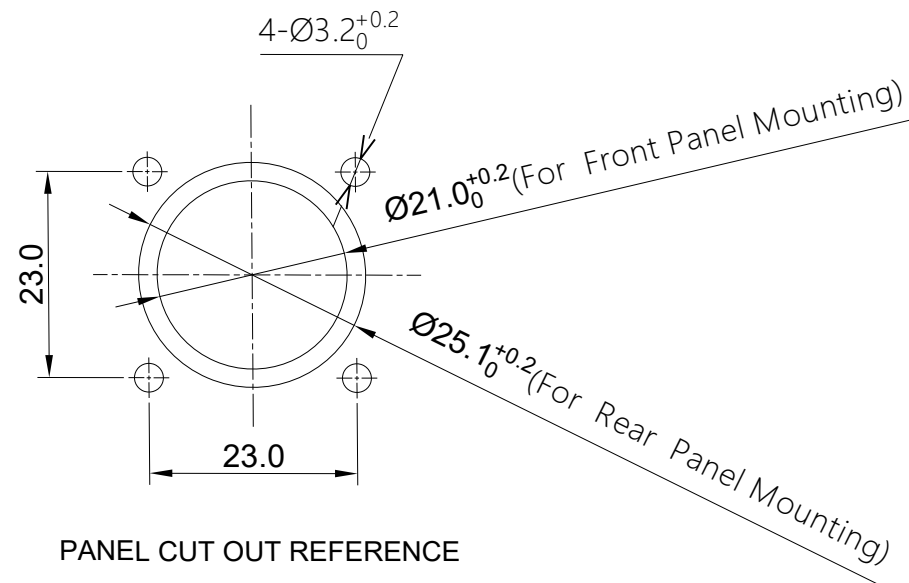
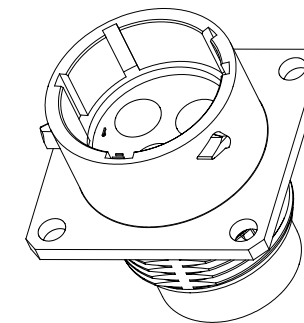
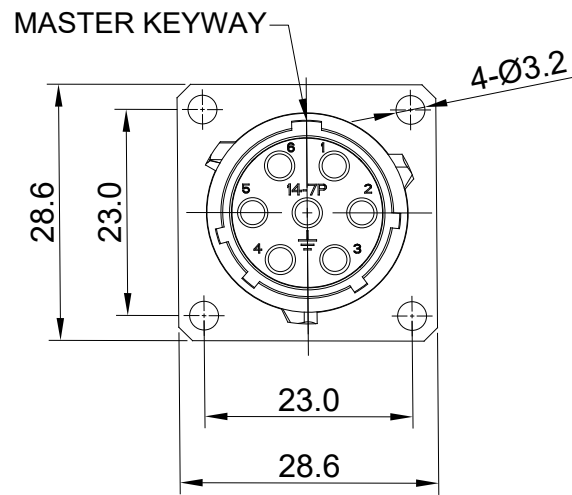
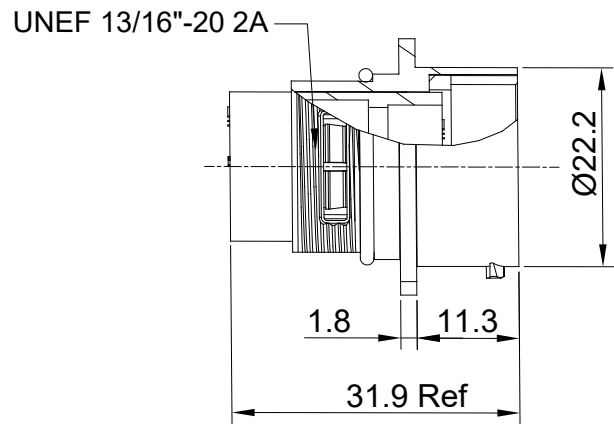


REVISIONS					
REV	ECO	DESCRIPTION	DATE	BY	APPR
A1	-	RELEASED DRAWING	May-15-2019	Zaki	Tommy



KEY POS	PART NUMBER	
	-40°C ~ 105°C	-40°C ~ 125°C
N	RT00147PNH	RT00147PNH03
W	RT00147PWH	RT00147PWH03
X	RT00147PXH	RT00147PXH03
Y	RT00147PYH	RT00147PYH03
Z	RT00147PZH	RT00147PZH03

NOTES: (UNLESS OTHERWISE SPECIFIED)

- MATERIAL:
SHELL: ZINC ALLOY, NICKEL PLATED.
INSERT: THERMOPLASTIC, UL94 V-0.
SEAL GASKET: NBR/SILICONE RUBBER.
- SPECIFICATIONS:
2.1 RATED CURRENT: 13A (MAX)
2.2 RATED VOLTAGE: 600V AC/DC
2.3 OPERATING TEMPERATURE: SEE CHART.
2.4 DIELECTRIC WITHSTANDING VOLTAGE: LESS THAN 2 MILLIAMPS CURRENT LEAKAGE@2500 VOLTS AC.
2.5 INSULATION RESISTANCE: 5000 MEGOHMS MIN.
2.6 IP--CLASS: IP67.
2.7 MATING CYCLES DURABILITY: 500 CYCLES MIN.
2.8 RoHS COMPLIANT.
- SUITABLE CONTACTS : 16# CONTACTS
- ALL DIMENSIONS ARE FOR REFERENCE USE ONLY.

QUANTITY	PART NUMBER	DESCRIPTION	ITEM												
MATERIALS LIST															
<small>UNLESS OTHERWISE SPECIFIED</small> 1) All dimensions are in metric(mm). 2) Tolerances are as follows: 1 PL DEC ±0.30 Fractions ±1/64 2 PL DEC ±0.15 Angles ±1° 3 PL DEC ±0.08 3) Note reference = \triangle		<table border="1"> <thead> <tr> <th>SIGNATURES</th> <th>DATE</th> </tr> </thead> <tbody> <tr> <td>DRAWN: Zaki</td> <td>May-15-2019</td> </tr> <tr> <td>CHECKED: Martin</td> <td>May-15-2019</td> </tr> <tr> <td>ENGINEER:</td> <td></td> </tr> <tr> <td>APPROVAL: Tommy</td> <td>May-15-2019</td> </tr> <tr> <td>CUSTOMER:</td> <td></td> </tr> </tbody> </table>	SIGNATURES	DATE	DRAWN: Zaki	May-15-2019	CHECKED: Martin	May-15-2019	ENGINEER:		APPROVAL: Tommy	May-15-2019	CUSTOMER:		<p style="text-align: center;">Amphenol</p> <p style="text-align: center;">Sine Systems - www.amphenol-sine.com 44724 Morley Drive Clinton Township, MI 48036</p>
SIGNATURES	DATE														
DRAWN: Zaki	May-15-2019														
CHECKED: Martin	May-15-2019														
ENGINEER:															
APPROVAL: Tommy	May-15-2019														
CUSTOMER:															
MATERIAL SPECIFICATIONS:		ECO-MATE, RECEPTACLE, SIZE 14,7POS,PIN.													
PROCESS SPECIFICATIONS:		<table border="1"> <tr> <td>SIZE</td> <td>TYPE</td> <td>DWG NO:</td> <td>REVISION</td> </tr> <tr> <td>B</td> <td>C-</td> <td>RT00147P*H**</td> <td>A1</td> </tr> </table>	SIZE	TYPE	DWG NO:	REVISION	B	C-	RT00147P*H**	A1					
SIZE	TYPE	DWG NO:	REVISION												
B	C-	RT00147P*H**	A1												
NEXT ASSY:		SCALE: NONE	SHEET 1 OF 1												

TITLE: ECO-MATE RECEPTACLE SIZE 14,7POS,PIN
 DWG NO: RT00147P*H**
 REV: A1
 SH: 1
 OF: 1