

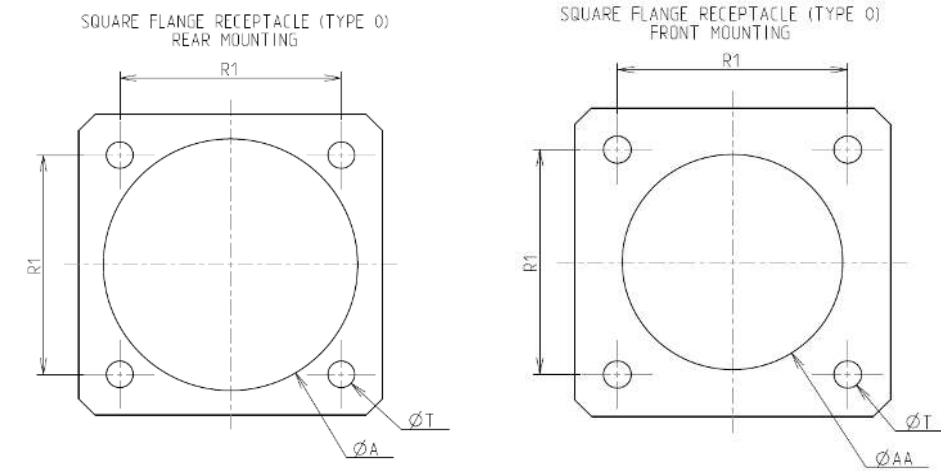
Contact Layout



2#12
6#22D

13-26		
Ctc	X	Y
A	0	3.47
B	2.47	4.34
C	2.47	-4.34
D	0	-3.47
E	-2.47	-4.34
F	-2.47	4.34
1	3.25	0
2	-3.25	0

Panel Cutout



Dim	Nominal
ØA	23.42 min
ØAA	19.05 min
R1	23.01
ØT	3.25 ±0.13

SOURIAU shall not be liable for any non-conformity or damage due to a use of the Products which does not comply with the Specifications issued by either of the Parties or by a third party (professional recommendation, technical notice.)

Country	Jurisdiction & Control List
FR	Not Listed

PN: 8D013M26AD

A	15-10-2016	First Release	
ISS	DATE	Latest modification - by	MOD N°
Designed By:		Date:	CUSTOMER DRAWING
TITLE	Composite Receptacle 8D series		
SCALE		General linear Tolerances:	NPRDS / PROJECT
NA		±--	859
SOURIAU	WWW.SOURIAU.COM		This document is the property of SOURIAU it must not be reproduced or communicated without permission
FORMAT	SOURIAU DRG N° 8D013M26AD-C		SHEET 2/2