

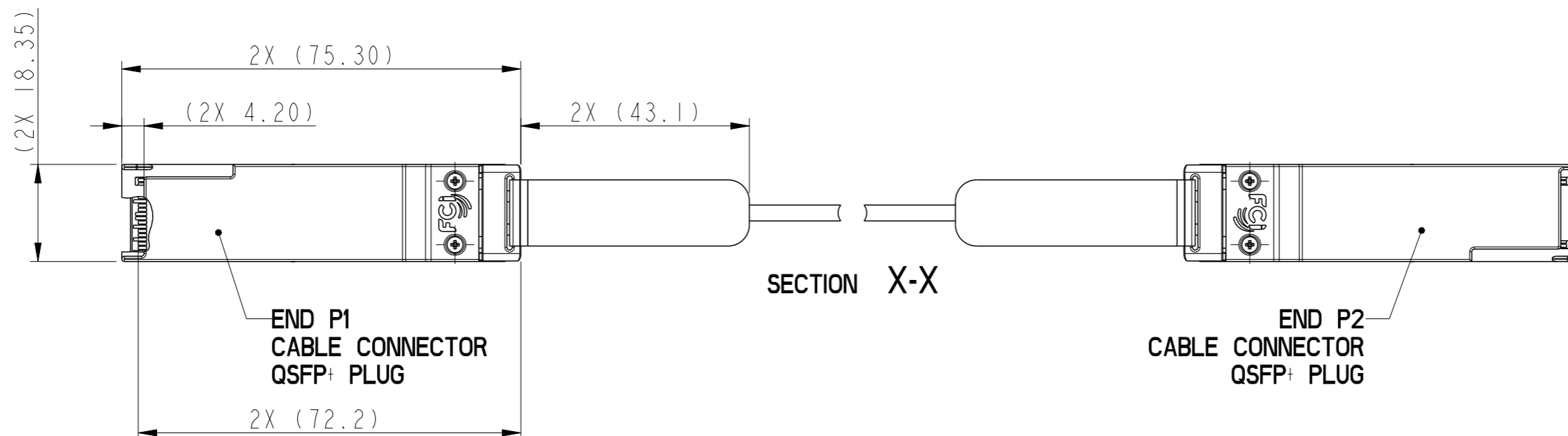
PRODUCT NUMBER

ICD056GVP163X-XX

PRODUCT NUMBER DESCRIPTION:

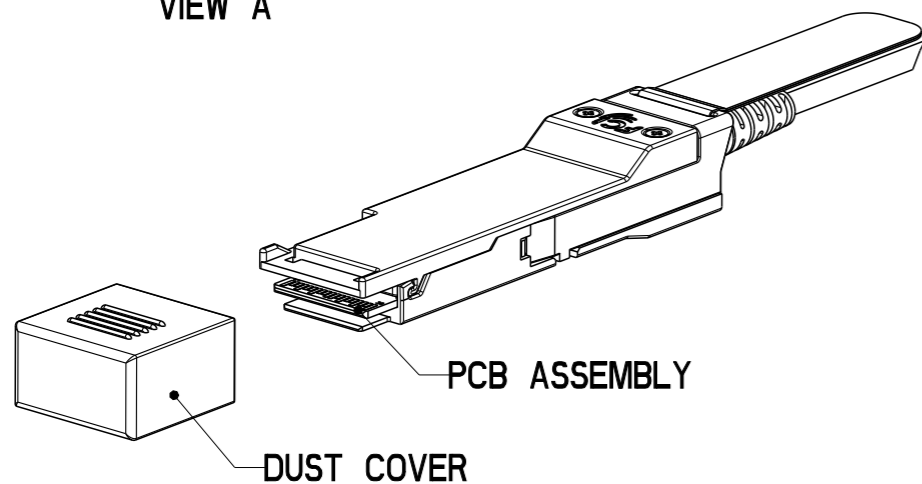
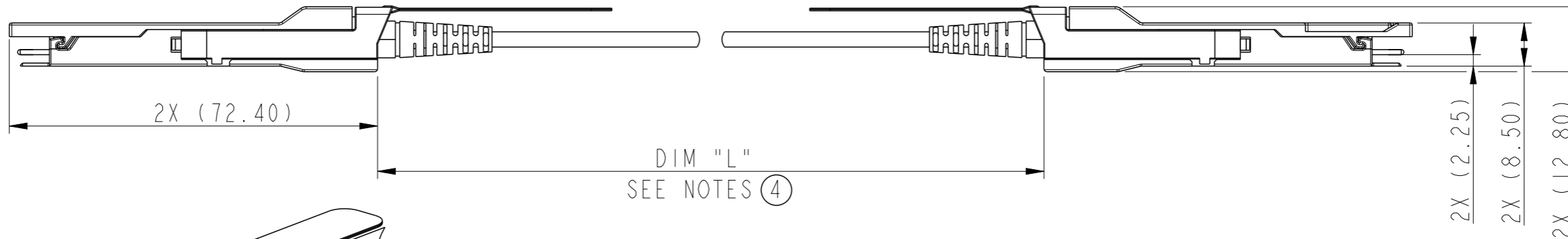
ICD056GVP163 X - XX

LENGTH
 XX= METERS
 EXAMPLE : 05 = 05 METERS (DIM "L")
 C0 = 100 METERS (DIM "L")
 DIGITAL DIAGNOSTIC MONITORING
 D : WITH DDM SUPPORT



VIEW A

VIEW A



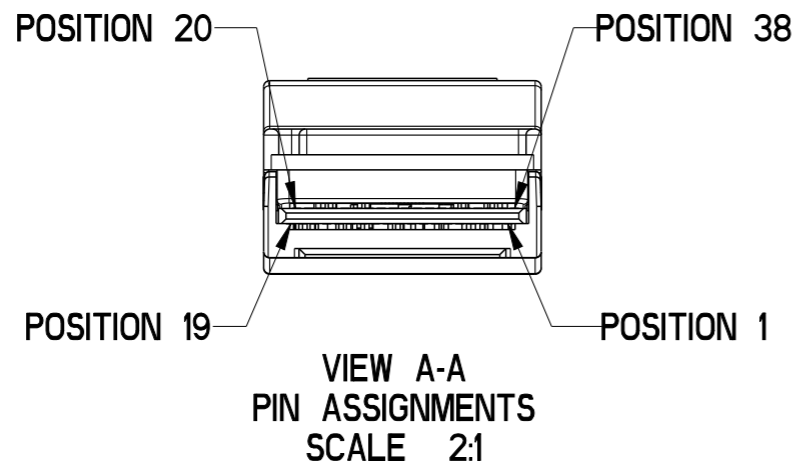
spec ref	-	dr	M Srinivasan	2012/05/02	projection	MM	size	A3	scale	1:1
tolerance std	ASME Y14.5	eng	Andreas Krink	2012/05/08			ecn no	-	rel level	Released
TOLERANCES UNLESS OTHERWISE SPECIFIED		chr	-	-						
surface	ASME Y14.5	appr	Sven Otte	2012/05/08	product family	QSFP+ AOC	rev			
<input checked="" type="checkbox"/> linear <input type="checkbox"/> angular	0.X	±0.3		title STRAIGHT BOOT PRODUCT ASSEMBLY QSFP+ AOC FDR	dwg no ICD056GVP163X	rev A	-			
	0.XX	±0.10					www.fci.com	cat. no.	-	Product - Customer Drw
0.XXX	±0.05									
0°	±2°									

PRODUCT NUMBER

ICD056GVP163X-XX

EDGE CONNECTOR PAD DESCRIPTION

POSITION	SYMBOL	POSITION	SYMBOL
19	GND	20	GND
18	RX1n	21	RX2n
17	RX1p	22	RX2p
16	GND	23	GND
15	RX3n	24	RX4n
14	RX3p	25	RX4p
13	GND	26	GND
12	SDA	27	ModPrsL
11	SCL	28	IntL
10	VccRx	29	VccTx
9	ResetL	30	VccI
8	ModSeIL	31	LPMode
7	GND	32	GND
6	TX4p	33	TX3p
5	TX4n	34	TX3n
4	GND	35	GND
3	TX2p	36	TX1p
2	TX2n	37	TX1n
1	GND	38	GND



NOTES:

- MATERIAL:**
 COVERS : ZINC ALLOY/ COPPER UNDERPLATE/ NICKEL OVERPLATE
 PULL TAB : THERMOPLASTIC POLYMER
 LATCH RELEASE: ZINC ALLOY/ COPPER UNDERPLATE/ NICKEL OVERPLATE
 DRIVE SCREWS: STAINLESS STEEL
 STRAIN RELIEF BOOT : THERMOPLASTIC
 SPRING : STAINLESS STEEL
 PADDLE CARD: PRINTED CIRCUIT SUBSTRATE-FR4.
 DUST COVER : POLY ETHYLENE
 TOP & BOTTOM BLISTER (NOT SHOWN) : PET
 PACKAGING: FOR CABLE-LENGTH >30M ONE BOX-SET IS USED INSTEAD OF TOP/BOTTOM BLISTER
 BOX-SET MATERIAL: PAPERBOARD AND ANTISTATIC PLASTIC
- REFERENCE PRODUCT SPECIFICATION GS-12-1059 FOR DETAILED SPECIFICATIONS.
- THIS PRODUCT MEETS THE RESTRICTION OF HAZARDOUS SUBSTANCES IN ELECTRICAL AND ELECTRONIC EQUIPMENT (RoHS). DIRECTIVE 2002/95/EC.
- THIS DIMENSION IS A FINISHED PRODUCT LENGTH.
- A "△" SYMBOL WILL BE NEXT TO ANY DIMENSION, VIEW, OR NOTE WHICH HAS BEEN MODIFIED WITH THE CURRENT DRAWING REVISION. THE CURRENT REVISION WILL BE SHOWN IN THE SYMBOL.

spec ref	-	dr	M Srinivasan	2012/05/02	projection	MM	size	A3	scale	2:1													
tolerance std	ASME Y14.5	eng	Andreas Krink	2012/05/08			ecn no	-	rel level	Released													
	TOLERANCES UNLESS OTHERWISE SPECIFIED	chr	-	-																			
surface	<table border="1"> <tr><td>linear</td><td>0.X</td><td>±0.3</td></tr> <tr><td></td><td>0.XX</td><td>±0.10</td></tr> <tr><td></td><td>0.XXX</td><td>±0.05</td></tr> <tr><td>angular</td><td>0°</td><td>±2°</td></tr> </table>	linear	0.X	±0.3		0.XX	±0.10		0.XXX	±0.05	angular	0°	±2°	appr	Sven Otte	2012/05/08	product family	QSFP+ AOC			STRAIGHT BOOT PRODUCT ASSEMBLY QSFP+ AOC FDR	dwg no ICD056GVP163X	rev A
linear	0.X	±0.3																					
	0.XX	±0.10																					
	0.XXX	±0.05																					
angular	0°	±2°																					
ASME Y14.5		www.fci.com	cat. no.	-	Product - Customer Drw	sheet 2 of 2																	



Copyright FCI.