

## RLY9183

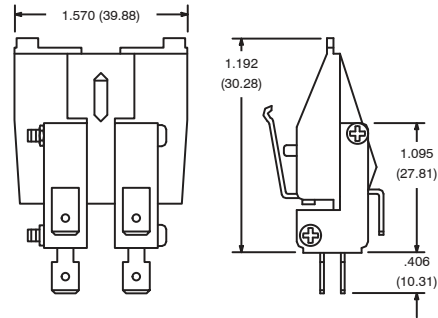
### Features

- For RLY700 Series

### Electrical Rating:

Contacts . . . . . SPDT  
 Maximum Current . . 5A @ 125/250 VAC

## 2 Auxiliary Switches for Reversing Contactor Applications



## RLY9184

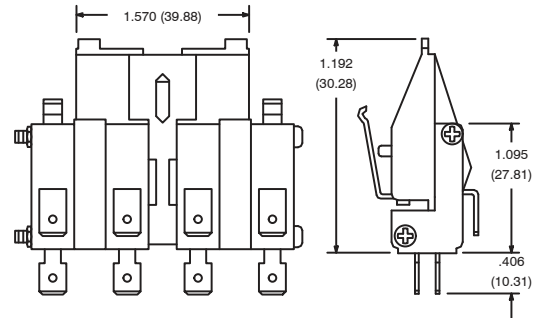
### Features

- For RLY700 Series

### Electrical Rating:

Contacts . . . . . SPDT  
 Maximum Current . . 5A @ 125/250 VAC

## 4 Auxiliary Switches for Reversing Contactor Applications



## RLY9190

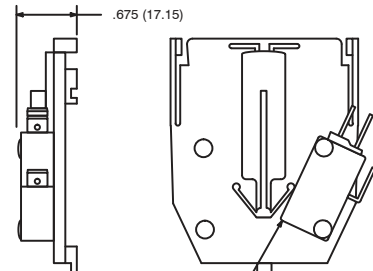
### Features

- 1 SPDT Snap Action Switch w/.250" Quick-Connect Terminal
- For RLY530, RLY540, and RLY550 Series

### Electrical Rating:

Contacts . . . . . SPDT  
 Maximum Current . . 10A @ 300 VAC

## Auxiliary Switch for 3-Pole Definite Purpose Contactor Applications



NOTE: Snap action switch actuation force maximum 60gms

## RLY9191

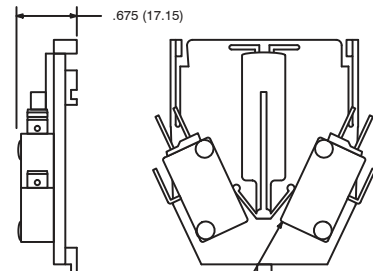
### Features

- 2 SPDT Snap Action Switches w/.250" Quick-Connect Terminal
- For RLY530, RLY540, and RLY550 Series

### Electrical Rating:

Contacts . . . . . SPDT  
 Maximum Current . . 10A @ 300 VAC

## Auxiliary Switch for 3-Pole Definite Purpose Contactor Applications



NOTE: Snap action switch actuation force maximum 60gms