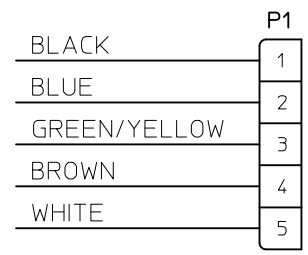
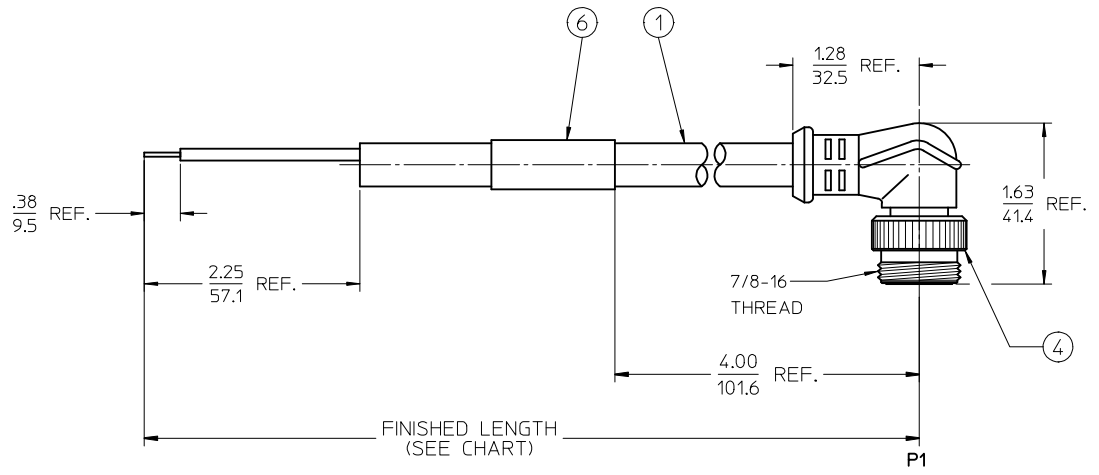


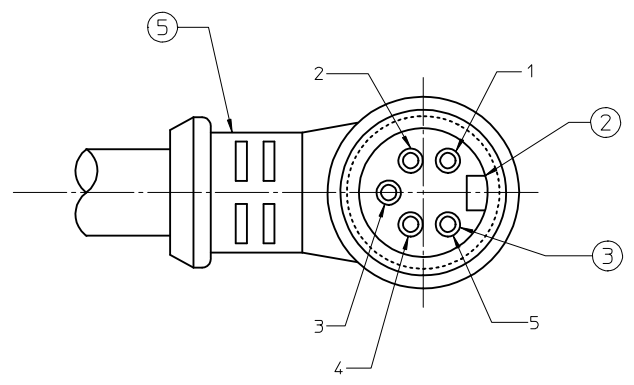
MATERIAL NO.	ENGINEERING NO.	FINISHED LENGTH
1300068143	105007B21M050	16'5" +6.50"-0 (5M +165.1mm-0)
1300068144	105007B21M100	32'10" +12.50"-0 (10M +317.5mm-0)
1300068145	105007B21M200	65'7" +24.50"-0 (20M +622.3mm-0)
1300068146	105007B21M300	98'5" +24.50"-0 (30M +622.3mm-0)

NOTES:

1. MATERIAL: SEE TABLE
2. FINISHES: SEE TABLE
3. ELECTRICAL SPECIFICATIONS  
VOLTAGE RATING: 300V AC/DC  
CURRENT RATING: 8 AMPS
4. PROTECTION: IP67
5. ASSEMBLY IS RoHS COMPLIANT BY EXEMPTION



WIRING DIAGRAM



MALE FACE VIEW  
SCALE: 2X

6	1	WRAP LABEL	MYLAR	BLACK/YELLOW
5	2	OVERMOLD-90 DEG	PUR	BLACK
4	1	COUPLING RING-EXT. THREAD	ZINC DIE-CAST	BLACK
3	5	CONTACT PIN	Cu ALLOY	GOLD PLATED
2	1	INSERT, 5P-MALE	PUR	BLACK
1	A/R	CABLE 5/C, 1.5mm <sup>2</sup> (16 AWG)	PUR JACKET	GRAY
ITEM	QTY.	DESCRIPTION	MATERIAL	FINISH

RELEASED EC NO: DRWINRSTONE 2012/11/12 CHKDK: JOZWIK 2012/11/26 APPR:	QUALITY SYMBOLS	GENERAL TOLERANCES (UNLESS SPECIFIED)	DIMENSION STYLE	SCALE	DESIGN UNITS	THIRD ANGLE PROJECTION																		
	$\nabla=0$ $\nabla=0$	<table border="1"> <thead> <tr> <th></th> <th>mm</th> <th>INCH</th> </tr> </thead> <tbody> <tr> <td>4 PLACES</td> <td>± ---</td> <td>± ---</td> </tr> <tr> <td>3 PLACES</td> <td>± ---</td> <td>± ---</td> </tr> <tr> <td>2 PLACES</td> <td>± ---</td> <td>± .01</td> </tr> <tr> <td>1 PLACE</td> <td>± 0.3</td> <td>± ---</td> </tr> <tr> <td>0 PLACE</td> <td>± ---</td> <td>± ---</td> </tr> </tbody> </table>		mm	INCH	4 PLACES	± ---	± ---	3 PLACES	± ---	± ---	2 PLACES	± ---	± .01	1 PLACE	± 0.3	± ---	0 PLACE	± ---	± ---	IN/MM	1:1	INCH	
		mm	INCH																					
	4 PLACES	± ---	± ---																					
3 PLACES	± ---	± ---																						
2 PLACES	± ---	± .01																						
1 PLACE	± 0.3	± ---																						
0 PLACE	± ---	± ---																						
DRAWN BY: RSTONE CHECKED BY: K JOZWIK APPROVED BY:	DATE: 2012/11/12 DATE: 2012/11/26 DATE:	MATERIAL NO. <b>SEE CHART</b>	DOCUMENT NO. <b>SD-130006-046</b>	TITLE <b>MINI CHANGE CABLE ASSY.          5P MP, 90 DEGREE          1.5MM<sup>2</sup> (16 AWG) PUR</b>	SHEET NO. <b>1 OF 1</b>																			
DRAFT WHERE APPLICABLE MUST REMAIN WITHIN DIMENSIONS	ANGULAR ± 2 °	SIZE C	THIS DRAWING CONTAINS INFORMATION THAT IS PROPRIETARY TO MOLEX INCORPORATED AND SHOULD NOT BE USED WITHOUT WRITTEN PERMISSION																					