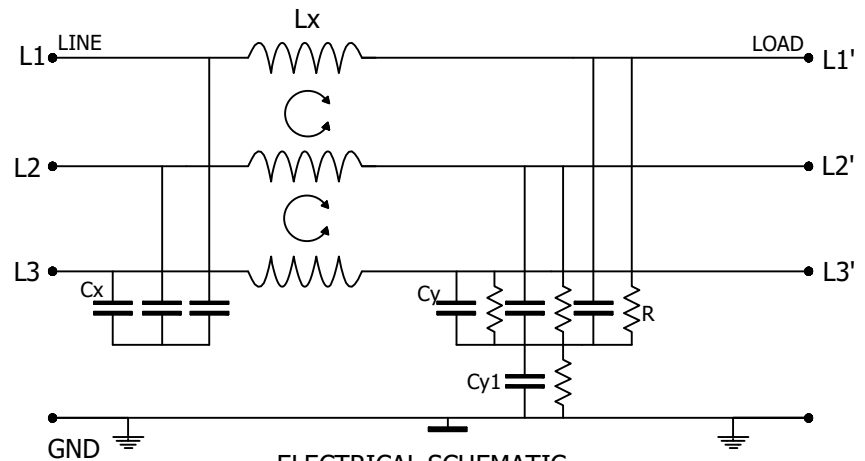
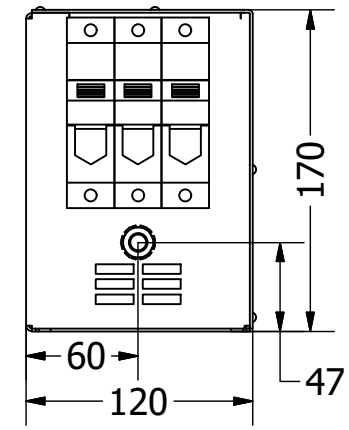


NOTES: UNLESS OTHERWISE SPECIFIED

1	
2	ALL DIMENSIONS ARE IN MM
3	TOLERANCE :ISO 2768-1:1989



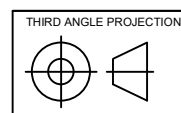
PRODUCT LABEL

L	BLA ETECH PVT.LTD.	L
I	BL358-180-T	O
N	480-520 VAC, 50-60 Hz	A
E	180A@40°C	D
	25/100/21	

SPECIFICATION

- 1) RATED VOLTAGE (MAX):
180 AMP,480/520 VAC 50-60HZ;
- 2) Hi-pot RATING (2 SECOND):
LINE TO GROUND: 2650 VDC
LINE TO LINE : 2100 VDC
- 3) MAXIMUM LEAKAGE LINE TO GROUND:
4.30mA @480 VAC 60 Hz;
4.70mA @520 VAC 50 Hz;

FREQUENCY MHZ	0.01	0.1	0.5	1.0	2.0	5.0	10
COMMON DB	12	50	72	64	55	45	35
DIFFERENTIAL DB	15	20	60	55	47	42	38



A	ISSUE	REV.	DESCRIPTION	ECN	SUJIT	AJAY	20-02-2019
					DWN	APVD	APVD DATE
		BLA ETECH PVT.LTD. A-42 , Wazirpur Industrial Area New Delhi, Pin 110052 INDIA					
DRAWN BY	SUJIT	DRAWN DATE	20-2-2019	CHECKED BY	AJAY	CHECKED DATE	20-02-2019
DESC. MULTI STAGE FILTER							PAGE 1 of 1
PART NO. BL358-180-T							