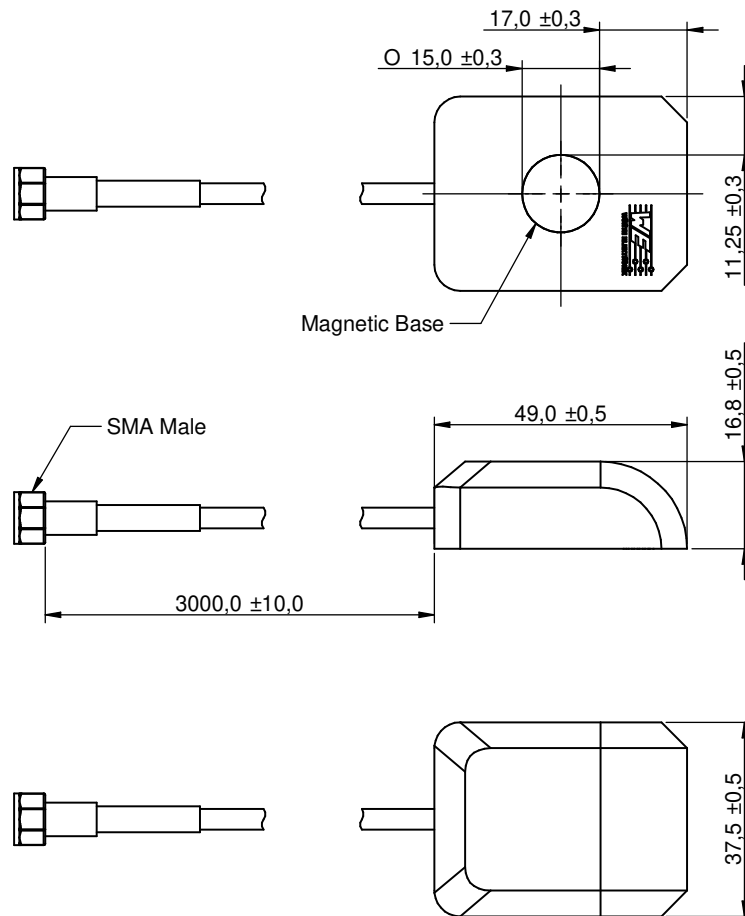


1575 / 1610 MHz Antenna



Key Features

- 1575 / 1610 MHz
- Active GNSS antenna
- SMA/m connector
- RHCP Polarization
- Magnetic mount

Description

The Halimede is a robust GNSS antenna optimized for GPS, GLONASS, Galileo, and BeiDou. Its integrated LNA boosts antenna performance in weak signal conditions, typical of obstructed/urban environments. Antenna operation only requires a small ground plane and a DC voltage supply of 3 to 5 Volt.

Range of Application

The environmental robustness of IP65 and operating temperature of -40°C to 80°C makes the Halimede a good match for industrial applications. The Halimede suits to all kinds of GNSS applications working with one or more of the existing GNSS (GPS, GLONASS, Galileo, and BeiDou) in the frequency band L1.

Specification

Part number	2600130016
Frequency	1575.42 MHz \pm 5 MHz 1610.42 MHz \pm 8 MHz
VSWR	1.5
Antenna Gain ¹	5 dBic
Height	168 mm
Width	375 mm
Length	49 mm
Cable Length	3 m
Weight	68 g
Connector	SMA male
Temperature	-40 to +80°C
Impedance	50 Ohms
Polarization	Right Hand Circular Polarization
IP Ingress Protection	66
LNA	
Gain	30 dB
WSWR	2.0
Noise Figure	1.5
DC current @ 3V	11.5 mA
DC voltage	3-5V

Ordering Information

Item no.	Description
2600130016	Antenna 1575 / 1610 MHz



Würth Elektronik eiSos GmbH & Co.KG

Phone +49 7942 945 0

Email wireless-sales@we-online.com

Internet www.we-online.com

Matching Products

Item no.	Description
2613021137000	Elara-II GPS & GLONASS module
2614021137000	Erinome-II GPS, GLONASS, Galileo and BeiDou module

¹ On 70 x 70 mm ground plane