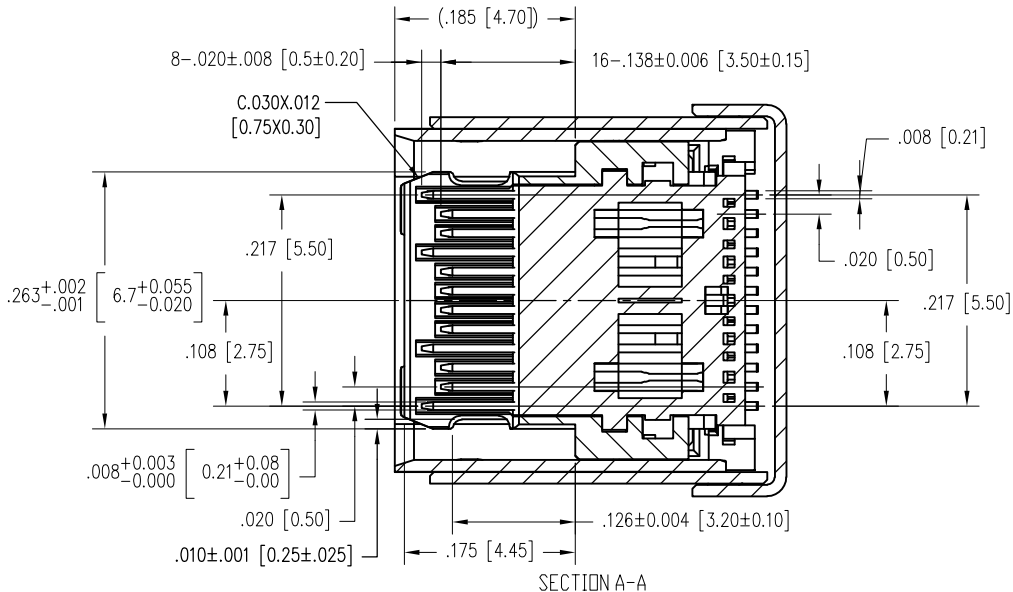
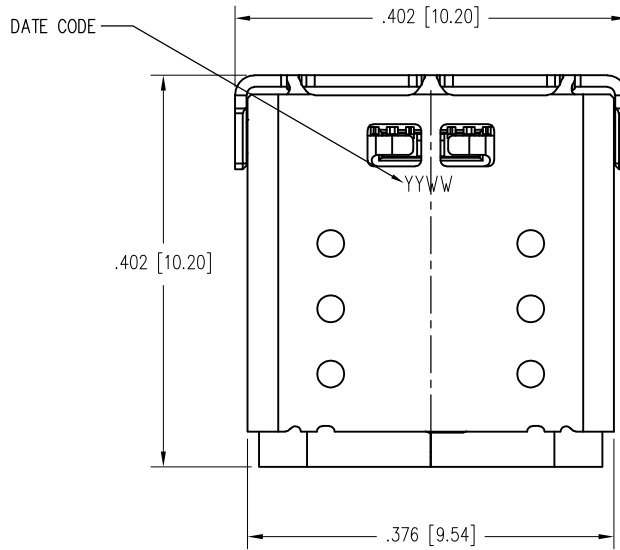
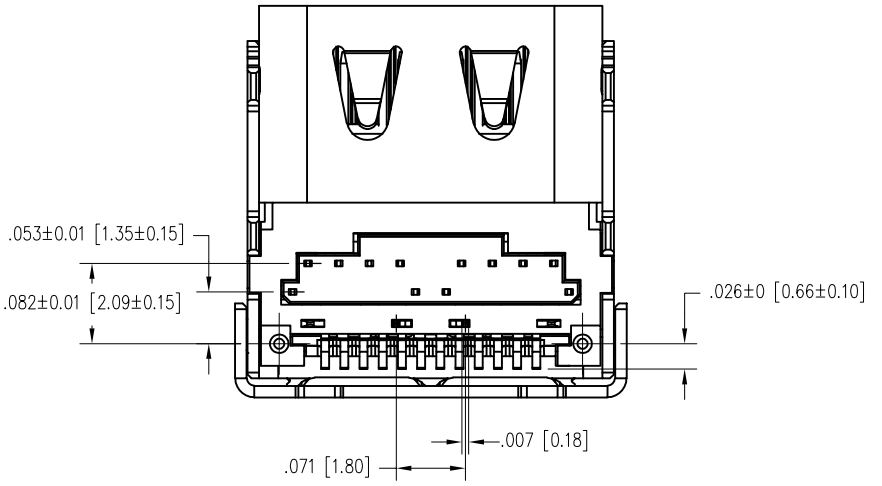
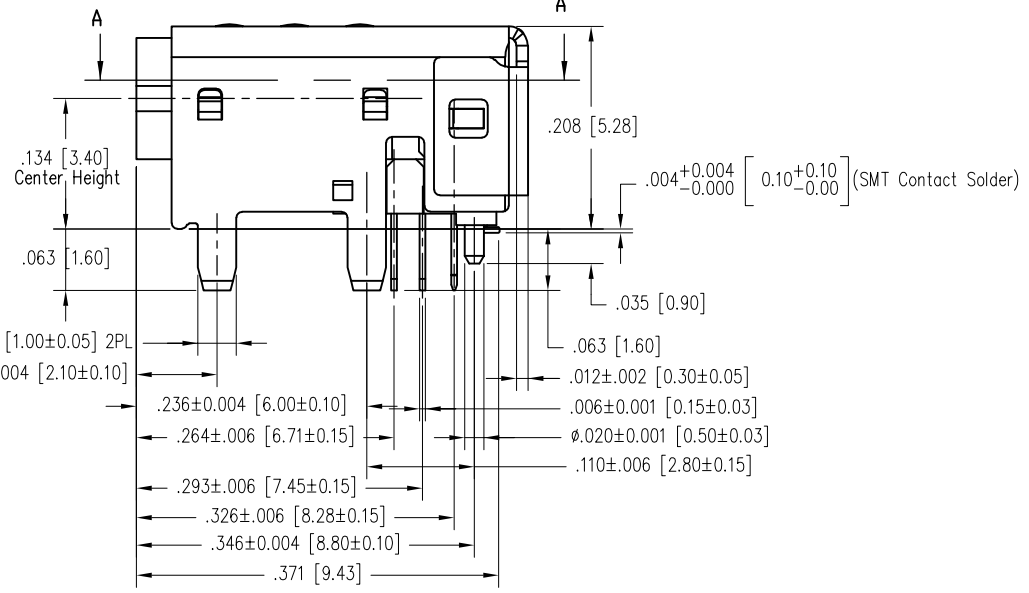
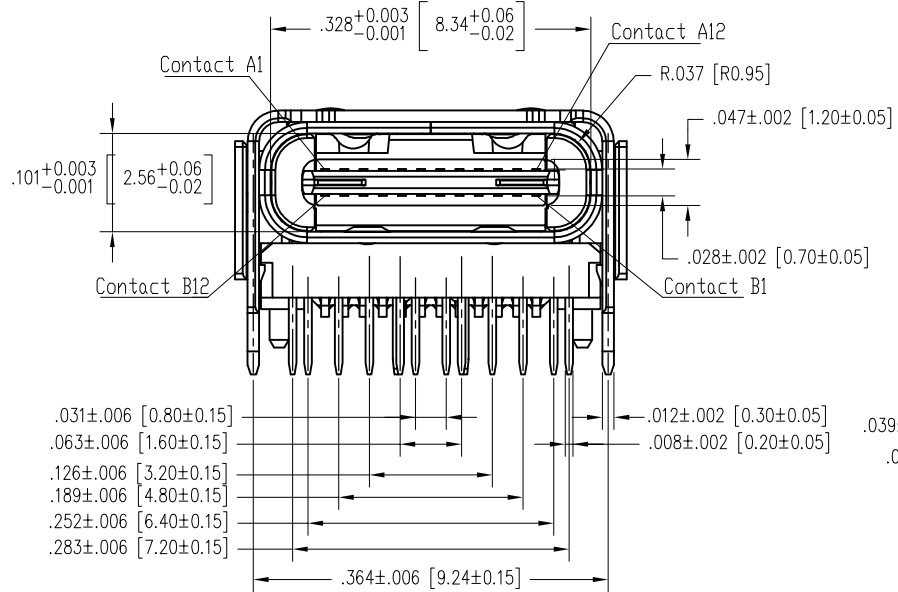


DATE	REV	ECN	APP'D. BY
4/19/2021	A0	-	GWL



- NOTE:
- Material
 HOUSING: THERMOPLASTIC, RATED UL94V-0
 CONTACTS: COPPER ALLOY
 SHELL: STAINLESS STEEL
 CONTACT PLATING:
 UNDERPLATE: 50u"-80u" NICKEL
 CONTACT AREA: SEE CHART
 SOLDER TAILS: 100u"-150u" TIN (MATTE)
 - ELECTRICAL
 OPERATION VOLTAGE: 20V
 CURRENT RATING: 7 AMPS MAX.
 CONTACT RESISTANCE: 40 MOHMS MIN @100VDC
 DIELECTRIC WITHSTANDING VOLTAGE: 100VAC/ 1 MINUTE
 - ENVIRONMENTAL:
 TEMPERATURE RANGE: -20° TO +105°
 MATING CYCLES: 10,000 INSERTIONS
- CONNECTOR IS FULLY COMPATIBLE WITH USC TYPE C 3.1 GEN 2 CONNECTOR SPEC.



30 MICRO-INCHES [0.76um]	SS-52400-005
CONTACT PLATING IN MATING AREA	PART NUMBER

THIRD ANGLE PROJECTION

DRAWING IS SUBJECT TO CHANGE WITHOUT NOTICE

UNLESS OTHERWISE SPECIFIED DIMENSIONS INCHES [METRIC] TOLERANCES ARE:

ANGLES ± 1°

.XX [.X] ±.010" [±0.25]

.XXX [.XX] ±.008" [±0.20]

.XXXX [.XXX] ±.004" [±0.10]

DO NOT SCALE DRAWING

SHEET NO. 1 OF 3



stewart CONNECTOR a bel group

1118 Susquehanna Trail South
 Glen Rock, PA 17327-9199
 (717) 235-7512
<http://www.stewartconnector.com>

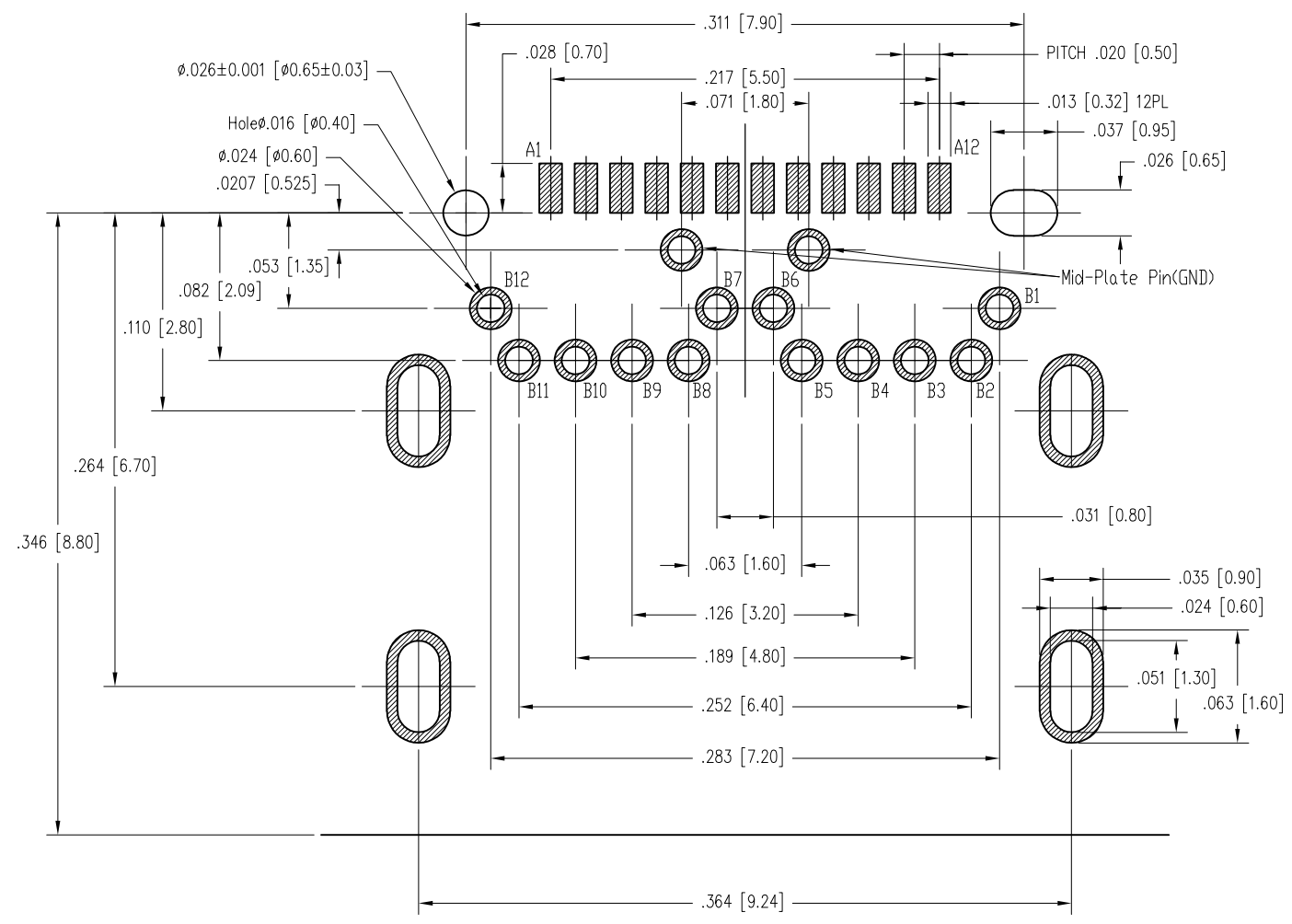
TITLE: USB4 (Type C) R/Angle Receptacle 1.6mm Tail Length

THIS DRAWING AND THE SUBJECT MATTER SHOWN THEREON ARE CONFIDENTIAL AND THE PROPRIETARY PROPERTY OF STEWART CONNECTOR AND SHALL NOT BE REPRODUCED, COPIED, OR USED IN ANY MANNER WITHOUT PRIOR WRITTEN CONSENT OF STEWART CONNECTOR. ONE OR MORE U.S. PATENTS MAY APPLY TO THIS PRODUCT. FOR DETAILS, PLEASE VISIT: [HTTP://BELFUSE.COM/STEWART/STEWART_PATENTS/](http://BELFUSE.COM/STEWART/STEWART_PATENTS/)

DRN BY: JE	DATE 4/15/2021
APPD BY: GWL	DATE 4/19/2021
DWG NO. CT520014	REV. A0

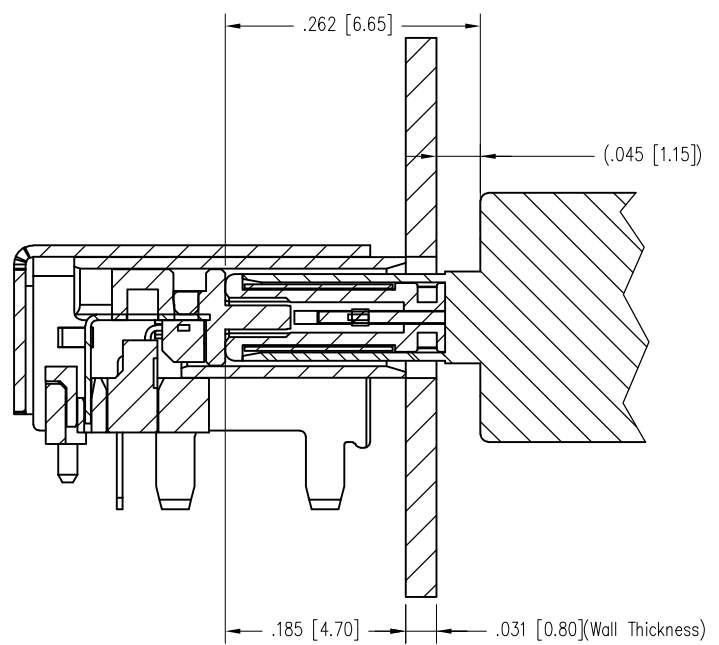
USB TYPE -C Pin Assignments			
Pin Number	Signal Name	Pin Number	Signal Name
A1	GND	B12	GND
A2	SSTXp1	B11	SSRXp1
A3	SSTXn1	B10	SSRXn1
A4	VBUS	B9	VBUS
A5	CC1	B8	SBU2
A6	Dp1	B7	Dn2
A7	Dn1	B6	Dp2
A8	SBU1	B5	CC2
A9	VBUS	B4	VBUS
A10	SSRXn2	B3	SSTXn2
A11	SSRXp2	B2	SSTXp2
A12	GND	B1	GND

B



RECOMMENDED PCB LAYOUT
 TOLERANCE ±002 [0.05]
 PCB THICKNESS = .063 [1.6]

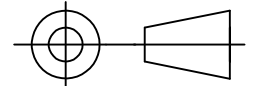
B



A

A



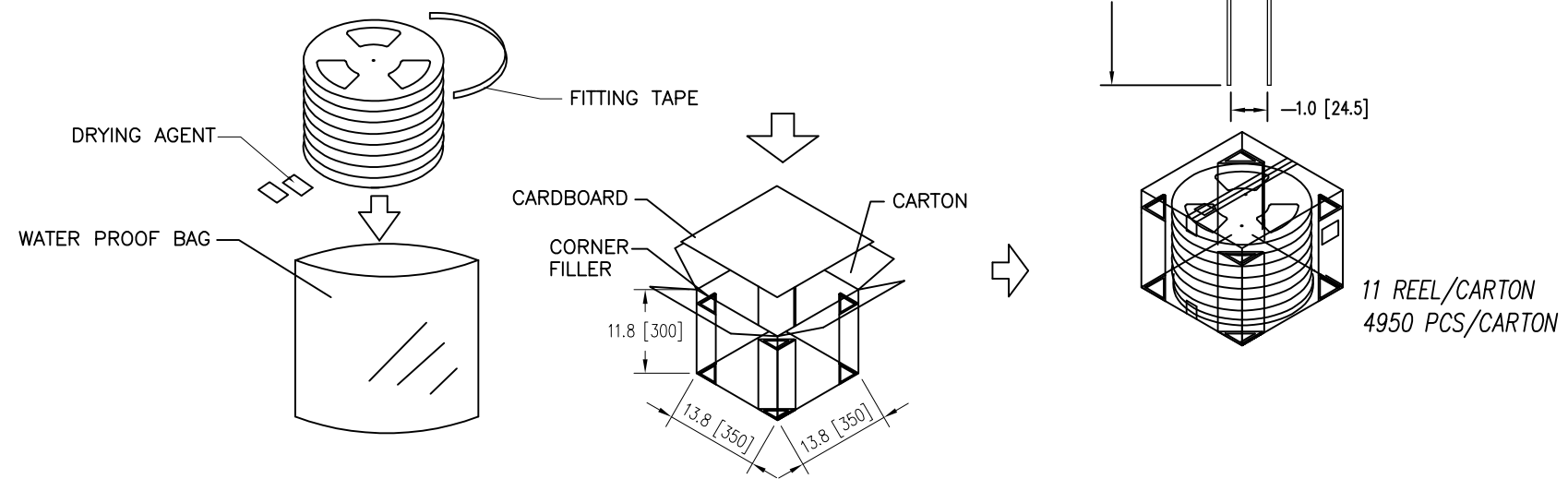
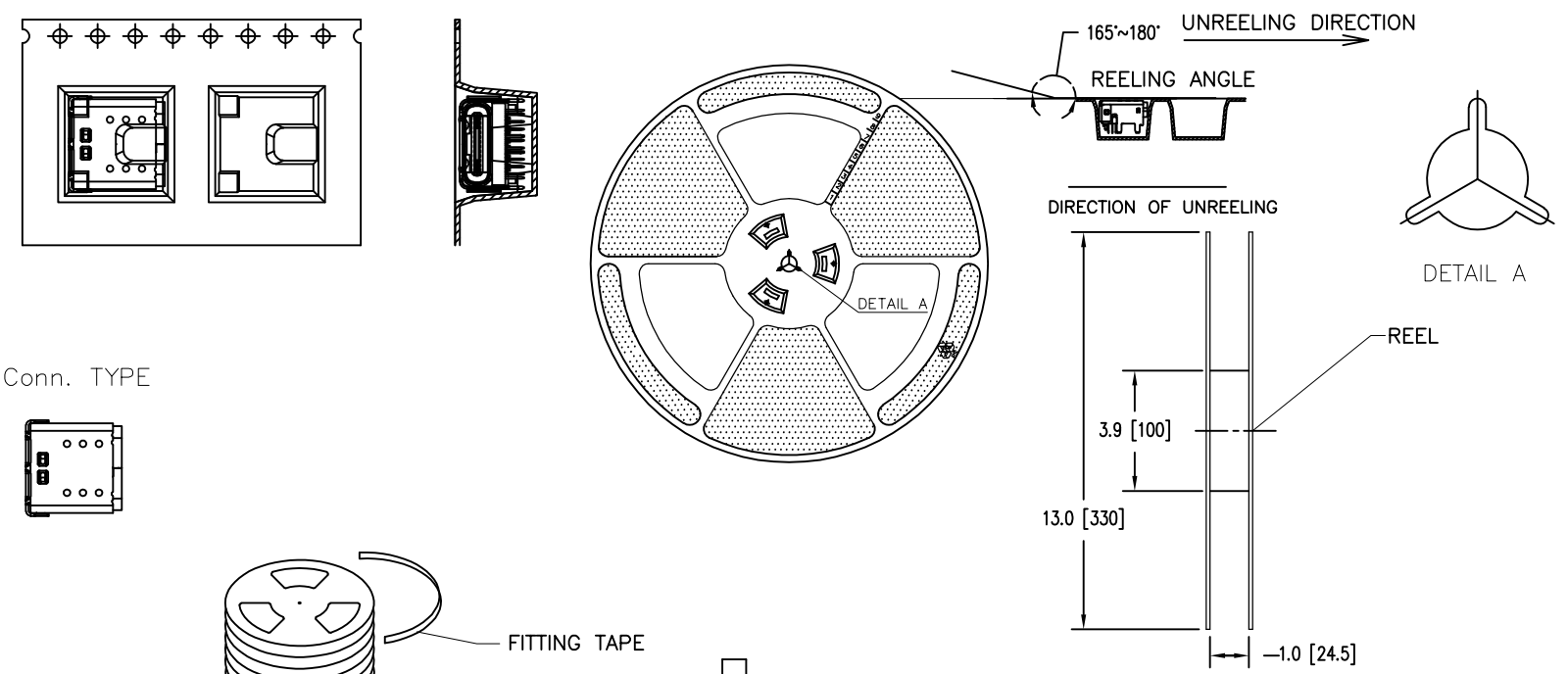
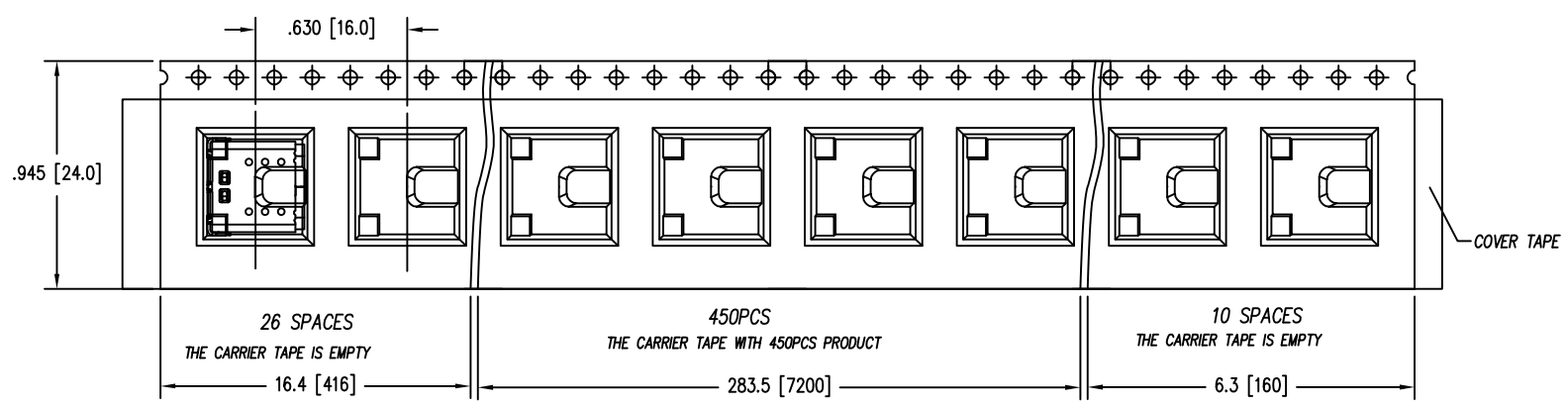
THIRD ANGLE PROJECTION

 DRAWING IS SUBJECT TO CHANGE WITHOUT NOTICE
 UNLESS OTHERWISE SPECIFIED DIMENSIONS INCHES [METRIC]
 TOLERANCES ARE:
 ANGLES ± 1°
 .XX [.X] ±.010" [±0.25]
 .XXX [.XX] ±.008" [±0.20]
 .XXXX [.XXX] ±.004" [±0.10]
 DO NOT SCALE DRAWING
 SHEET NO. 2 OF 3

 **stewart**
 CONNECTOR
 a bel group
 11118 Susquehanna Trail South
 Glen Rock, PA 17327-9199
 (717) 235-7512
<http://www.stewartconnector.com>

TITLE: USB4 (Type C) R/Angle Receptacle 1.6mm Tail Length

THIS DRAWING AND THE SUBJECT MATTER SHOWN THEREON ARE CONFIDENTIAL AND THE PROPRIETARY PROPERTY OF STEWART CONNECTOR AND SHALL NOT BE REPRODUCED, COPIED, OR USED IN ANY MANNER WITHOUT PRIOR WRITTEN CONSENT OF STEWART CONNECTOR. ONE OR MORE U.S. PATENTS MAY APPLY TO THIS PRODUCT. FOR DETAILS, PLEASE VISIT: [HTTP://BELFUSE.COM/STEWART/STEWART_PATENTS/](http://BELFUSE.COM/STEWART/STEWART_PATENTS/)

DRN BY: JE	DATE 4/15/2021
APPD BY: GWL	DATE 4/19/2021
DWG NO. CT520014	REV. A0



THIRD ANGLE PROJECTION	
DRAWING IS SUBJECT TO CHANGE WITHOUT NOTICE	
UNLESS OTHERWISE SPECIFIED DIMENSIONS INCHES [METRIC]	
TOLERANCES ARE:	
ANGLES ± 1°	
.XX [.X] ±.010" [±0.25]	
.XXX [.XX] ±.008" [±0.20]	
.XXXX [.XXX] ±.004" [±0.10]	
DO NOT SCALE DRAWING	
SHEET NO.	3 OF 3

<p>1118 Susquehanna Trail South Glen Rock, PA 17327-9199 (717) 235-7512 http://www.stewartconnector.com</p>	TITLE: USB4 (Type C) R/Angle Receptacle 1.6mm Tail Length	
	DRN BY: JE APPD BY: GWL DWG NO. CT520014	DATE 4/15/2021 DATE 4/19/2021 REV. A0
THIS DRAWING AND THE SUBJECT MATTER SHOWN THEREON ARE CONFIDENTIAL AND THE PROPRIETARY PROPERTY OF STEWART CONNECTOR AND SHALL NOT BE REPRODUCED, COPIED, OR USED IN ANY MANNER WITHOUT PRIOR WRITTEN CONSENT OF STEWART CONNECTOR. ONE OR MORE U.S. PATENTS MAY APPLY TO THIS PRODUCT. FOR DETAILS, PLEASE VISIT: HTTP://BELFUSE.COM/STEWART/STEWART_PATENTS/		