

# SACC-DSI-M8FS-3CON-M10/1,0 - Device connector, rear mounting



1421124

<https://www.phoenixcontact.com/us/products/1421124>

Please be informed that the data shown in this PDF document is generated from our online catalog. Please find the complete data in the user documentation. Our general terms of use for downloads are valid.



Device connector, rear mounting, 3-position, Rear mounting, 0.25 mm<sup>2</sup>, PVC litz wire

## Commercial data

|                                      |               |
|--------------------------------------|---------------|
| Item number                          | 1421124       |
| Packing unit                         | 1 pc          |
| Minimum order quantity               | 1 pc          |
| Sales key                            | AB22          |
| Product key                          | ABQIDB        |
| GTIN                                 | 4055626253145 |
| Weight per piece (including packing) | 18.56 g       |
| Weight per piece (excluding packing) | 16.1 g        |
| Customs tariff number                | 85444290      |
| Country of origin                    | DE            |

# SACC-DSI-M8FS-3CON-M10/1,0 - Device connector, rear mounting



1421124

<https://www.phoenixcontact.com/us/products/1421124>

## Technical data

### Mounting

|               |               |
|---------------|---------------|
| Mounting type | Rear mounting |
|---------------|---------------|

### Product properties

|                     |                                   |
|---------------------|-----------------------------------|
| Product type        | Circular connectors (device side) |
| Number of positions | 3                                 |

### Electrical properties

|                       |         |
|-----------------------|---------|
| Nominal voltage $U_N$ | 48 V AC |
|                       | 60 V DC |

### Cable/line

|            |               |
|------------|---------------|
| Cable type | PVC litz wire |
|------------|---------------|

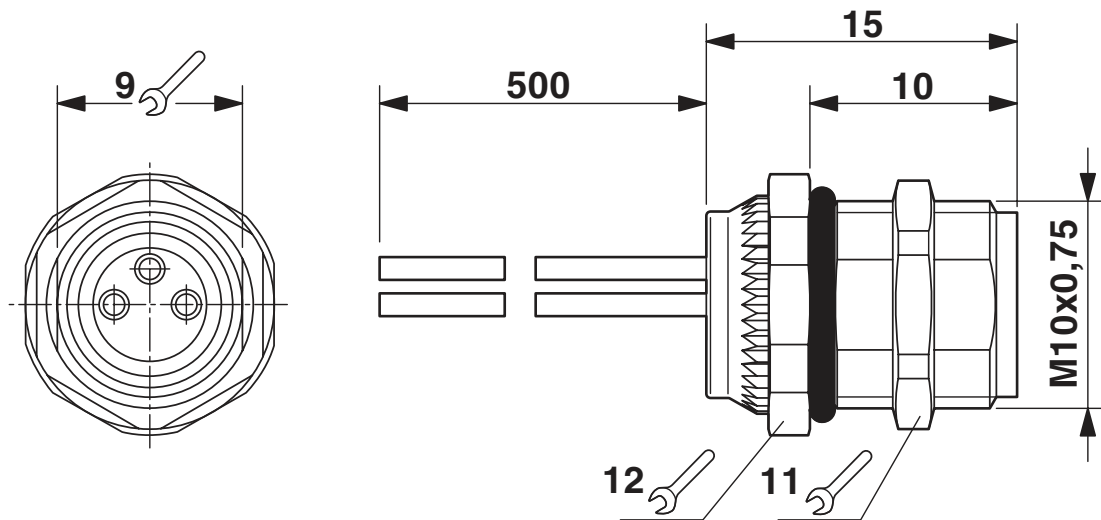
# SACC-DSI-M8FS-3CON-M10/1,0 - Device connector, rear mounting

1421124

<https://www.phoenixcontact.com/us/products/1421124>

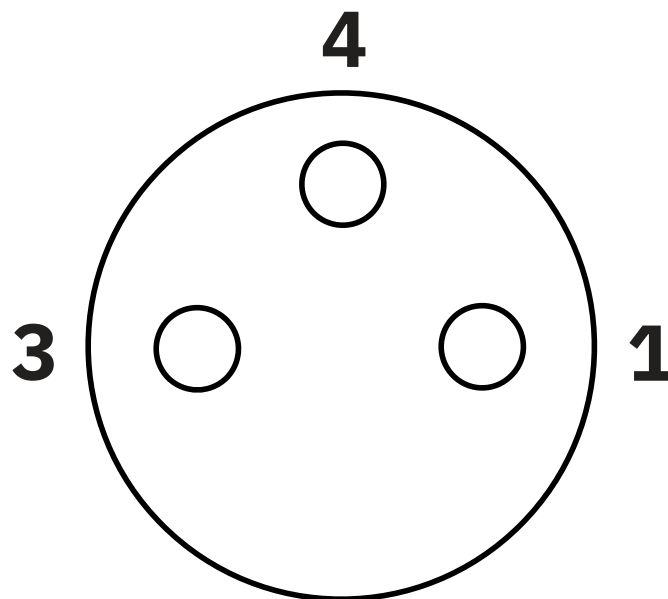
## Drawings

Dimensional drawing



Dimensional drawing

Schematic diagram



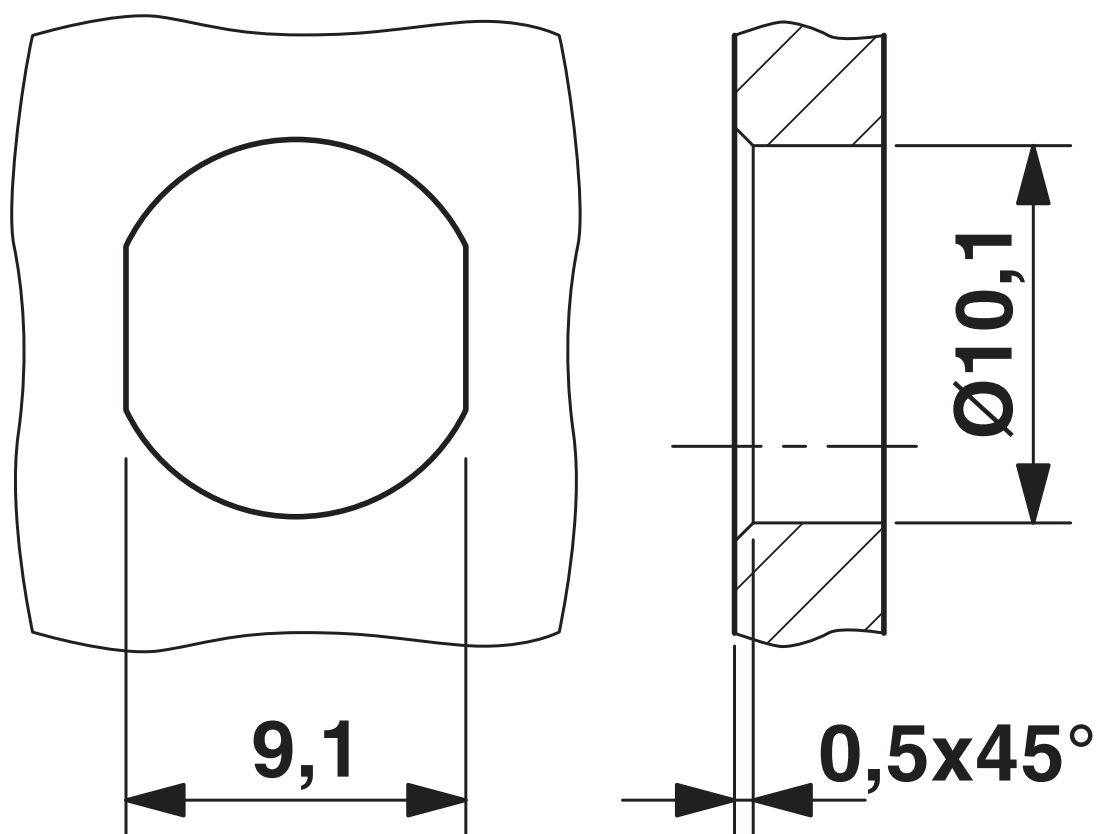
Pin assignment M8 socket, 3-pos., view female side

# SACC-DSI-M8FS-3CON-M10/1,0 - Device connector, rear mounting

1421124

<https://www.phoenixcontact.com/us/products/1421124>

Dimensional drawing



Mounting panel with feed-through hole

# SACC-DSI-M8FS-3CON-M10/1,0 - Device connector, rear mounting





1421124


<https://www.phoenixcontact.com/us/products/1421124>

## Approvals

To download certificates, visit the product detail page: <https://www.phoenixcontact.com/us/products/1421124>

|                                                                                                                                       |                       |                       |                   |                             |
|---------------------------------------------------------------------------------------------------------------------------------------|-----------------------|-----------------------|-------------------|-----------------------------|
|  <b>cUL Recognized</b><br>Approval ID: FILE E 221474 | Nominal voltage $U_N$ | Nominal current $I_N$ | Cross section AWG | Cross section $\text{mm}^2$ |
|                                                                                                                                       | 30 V                  | 4 A                   | - 24              | -                           |

|                                                                                                                                      |                       |                       |                   |                             |
|--------------------------------------------------------------------------------------------------------------------------------------|-----------------------|-----------------------|-------------------|-----------------------------|
|  <b>UL Recognized</b><br>Approval ID: FILE E 221474 | Nominal voltage $U_N$ | Nominal current $I_N$ | Cross section AWG | Cross section $\text{mm}^2$ |
|                                                                                                                                      | 30 V                  | 4 A                   | - 24              | -                           |

|                                                                                                                        |
|------------------------------------------------------------------------------------------------------------------------|
|  <b>EAC</b><br>Approval ID: B.01687 |
|------------------------------------------------------------------------------------------------------------------------|

# SACC-DSI-M8FS-3CON-M10/1,0 - Device connector, rear mounting



1421124

<https://www.phoenixcontact.com/us/products/1421124>

## Classifications

### ECLASS

|             |          |
|-------------|----------|
| ECLASS-11.0 | 27440102 |
| ECLASS-12.0 | 27440116 |
| ECLASS-13.0 | 27440116 |

### ETIM

|          |          |
|----------|----------|
| ETIM 8.0 | EC002635 |
|----------|----------|

### UNSPSC

|             |          |
|-------------|----------|
| UNSPSC 21.0 | 39121400 |
|-------------|----------|

# SACC-DSI-M8FS-3CON-M10/1,0 - Device connector, rear mounting



1421124

<https://www.phoenixcontact.com/us/products/1421124>

## Environmental product compliance

|            |                                                                                                              |
|------------|--------------------------------------------------------------------------------------------------------------|
| REACH SVHC | Lead 7439-92-1                                                                                               |
| China RoHS | Environmentally Friendly Use Period = 50 years                                                               |
|            | For information on hazardous substances, refer to the manufacturer's declaration available under "Downloads" |

Phoenix Contact 2023 © - all rights reserved  
<https://www.phoenixcontact.com>

Phoenix Contact USA  
586 Fulling Mill Road  
Middletown, PA 17057, United States  
(+717) 944-1300  
[info@phoenixcon.com](mailto:info@phoenixcon.com)